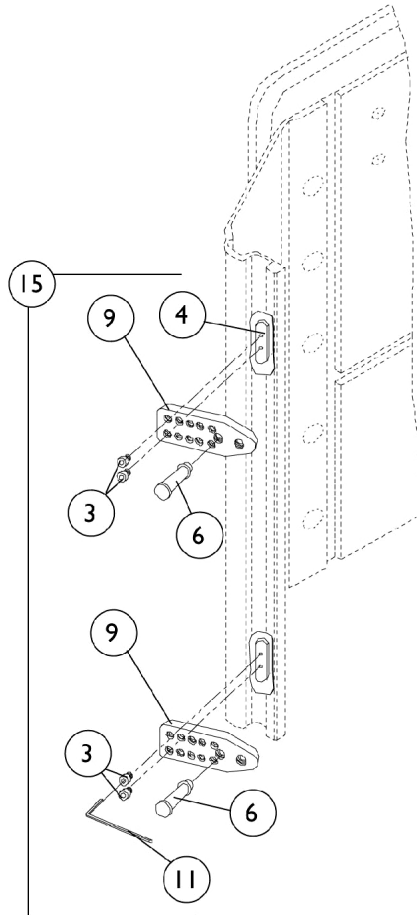
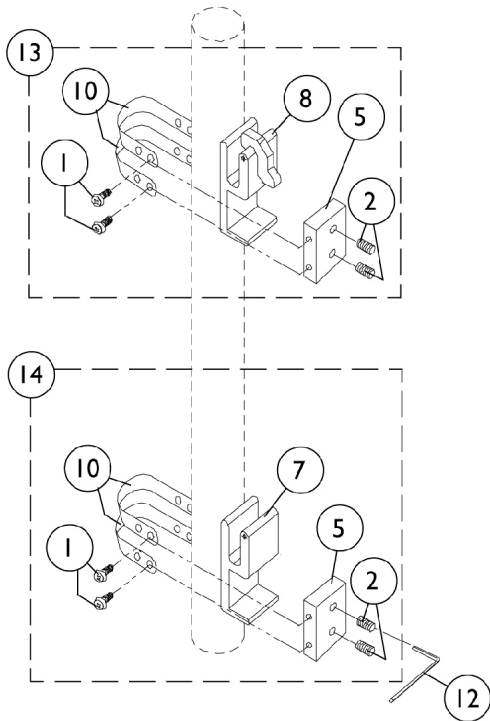


# PinDot Silhouette Back Mounting Hardware SMB01



## PinDot Silhouette Back Mounting Hardware SMB01

Item Number	Note	Part Number	Description	Quantity Per	
				Package	Assembly
1		1100380-NLA	NLA - Screw, Phillips Pan Head (#8-32 x 1/4")	1	16
2		1100381	Screw, Set Socket Cup Point (#10-32 x 1/2")	1	8
3		1100382	Screw, Socket Head (#8-32 X 1/4")	1	8
4		3002713	Nut, Mounting - 2 Hole (11/32" x 1-1/2")	1	4
5		3002719-NLA	NLA - Clamp Block, Universal	1	4
6		3002721	Pin, Quick Release	1	4
7		3002751-NLA	NLA - Clamp Base, Universal	1	2
8		3002752-NLA	NLA - Base, Quick Lock, Universal	1	2
9		3002899-NLA	NLA - Bracket, Adjustable Mounting, Black	1	4
10	D	See Note	See Footnote	1	8
11		4000031-NLA	NLA - Wrench, Allen (9/64")	1	1
12		4000032-NLA	NLA - Wrench, Allen (3/32")	1	1
13	A	3003069-NLA	NLA - Quick Lock Clamp Assembly	1	2
14	B	3003070-NLA	NLA - Clamp Assembly, Universal	1	2
15	C	1097018	Kit, Back Bracket Adjustable Mounting	1	1

NOTE: A - Includes items 1-2, 5, 8, 10 and Instructions  
 B - Includes items 1-2, 5, 7, 10 and Instructions  
 C - Includes items 3-4, 6, 9, 11 and Instructions  
 D - Universal Clamp Strap is no longer available as a service part.