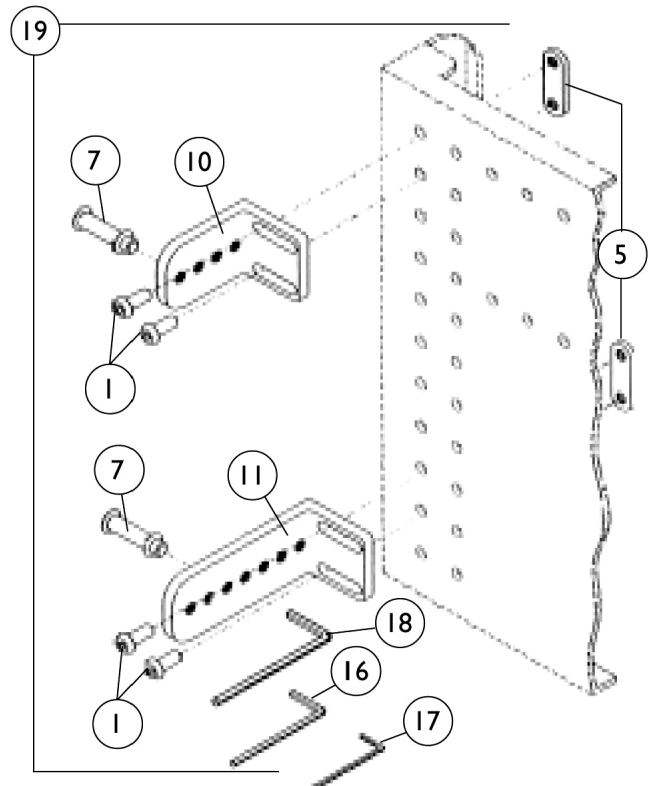
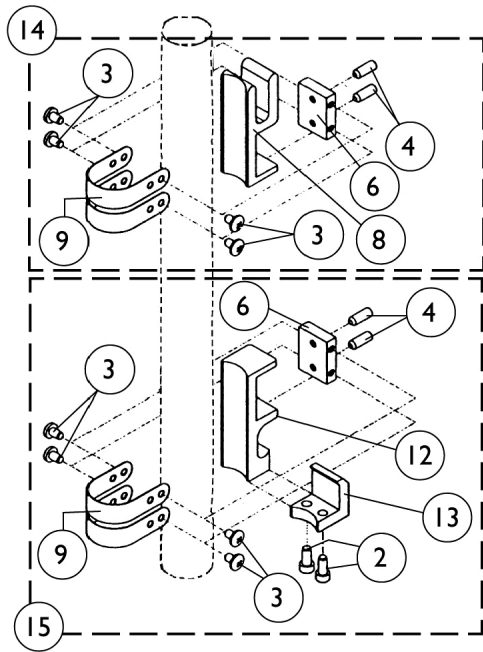


PinDot ContourU Back Adjustable Hardware

Universal Interfacing Hardware Kit - HWABK



PinDot ContourU Back Adjustable Hardware Universal Interfacing Hardware Kit - HWABK

Item Number	Note	Part Number	Description	Quantity Per	
				Package	Assembly
1		1100020-NLA	NLA - Screw, Socket Button Head (1/4-20 x 5/8")	1	8
2		1100270-NLA	NLA - Screw, Socket Head (#8-32 x 3/8")	1	4
3		1100380-NLA	NLA - Screw, Phillips Pan Head (#8-32 x 1/4")	1	16
4		1100381	Screw, Set Socket Cup Point (#10-32 x 1/2")	1	8
5		3000242-NLA	NLA - Backing Plate, 2 Position, 1" Spacing	1	4
6		3002719-NLA	NLA - Clamp Block, Universal	1	4
7		3002721	Pin, Quick Release	1	4
8		3002751-NLA	NLA - Clamp Base, Universal	1	2
9	E	See Note	See Footnote	1	8
10		3003054-NLA	NLA - Bracket, Back, 4 Hole - Short	1	2
11		3003055-NLA	NLA - Bracket, Back, 7 Hole - Long	1	2
12		3003057-NLA	NLA - Base, Snap Lock	1	2
13		3003058-NLA	NLA - Lever, Snap	1	2
14	B	3003070-NLA	NLA - Clamp Assembly, Universal	1	1
15	C	3003071	Snap Lock Assembly	1	1
16		4000031-NLA	NLA - Wrench, Allen (9/64")	1	1
17		4000032-NLA	NLA - Wrench, Allen (3/32")	1	1
18		4000043-NLA	NLA - Wrench, Allen (5/32")	1	1
19	D	1097019	Kit, Adjustable Back Bracket Includes: (8) Screws, (1) Weld Nut, (4) Brackets, (1) Quick Release Pin, (1) 9/64" Hex Key, and Instruction Sheet	1	1
	A	1100415	Insert, Threaded (1/4-20")	1	8
	A	1140755	Kit, Adjustable Back Mounting	1	1

NOTE: A - Not Shown
B - Includes items 3-4, 6, 8-9 and instructions
C - Includes items 2-4, 6, 9, 12-13 and instructions
D - Includes items 1, 5, 7, 10-11, 16-18 and instructions
E - Universal Clamp Strap is no longer available as a service part.