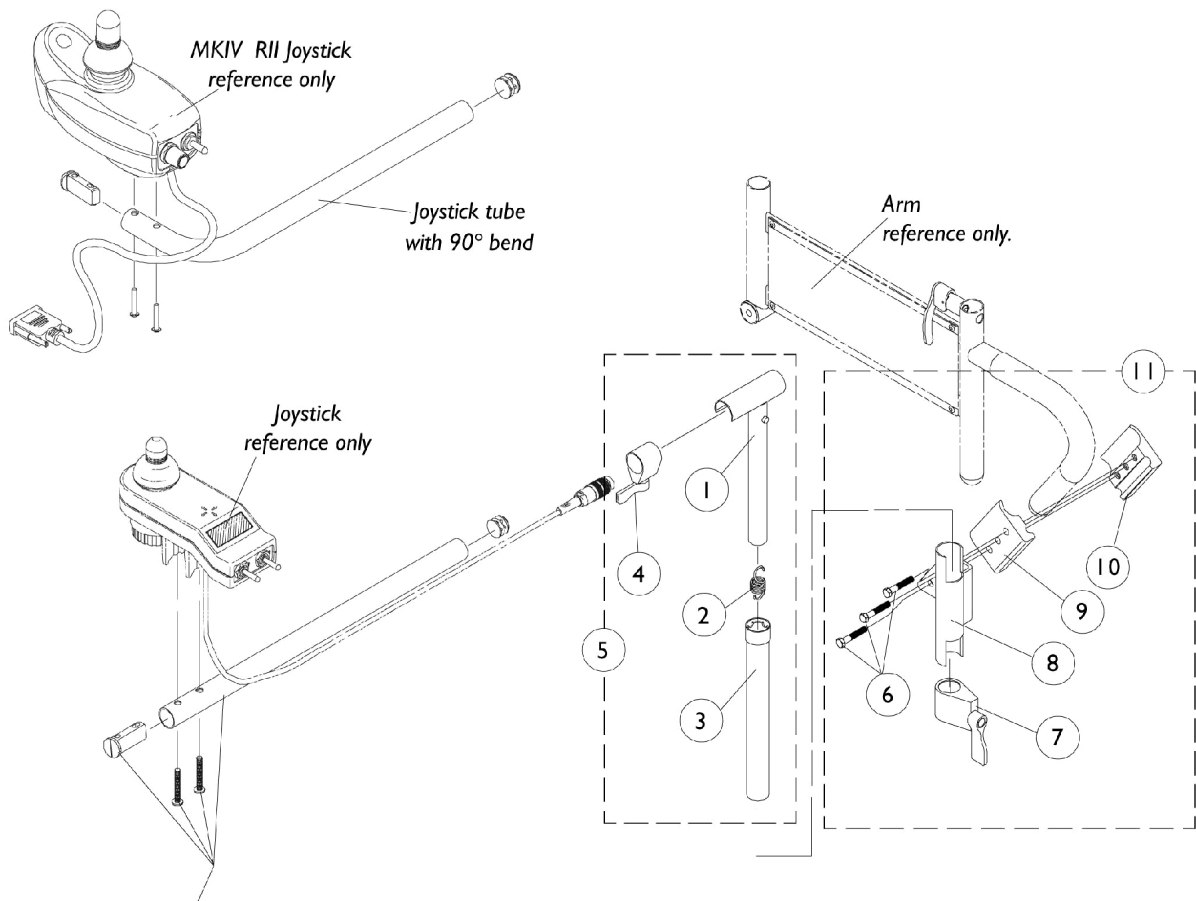


# MKIV Mid-Line Swing Bracket Assembly

**NOTE:** Joystick tube with 90 degree bend replaces the standard tube when joysticks PSF, PSR and (RII part number 1092610) are used. Joystick Tube with 90 degree bend must be ordered as a special when a replacement is needed.



**NOTE:** Use existing joystick tube, screws and plug button.

## MKIV Mid-Line Swing Bracket Assembly

**NOTE: Joystick tube with 90 degree bend replaces the standard tube when joysticks PSF, PSR and (RII part number 1092610) are used. Joystick Tube with 90 degree bend must be ordered as a special when a replacement is needed.**

Item Number	Note	Part Number	Description	Quantity Per	
				Package	Assembly
1		1035528-NLA	NLA - Tube, Adjustment, Inside, Mid-Line, Black	1	1
2		1016778-NLA	NLA - Spring, Extension (9/16 x 1-3/8" L)	1	1
3		1035860-NLA	NLA - Tube, Adjustment, Outside, Mid-Line, Black	1	1
4		1027274	Adjustment Lock Assemnbly, Black	1	1
5	B	1035852-NLA	NLA - Swing Bracket Assembly, Mid-Line, Black	1	1
6		7930349-NLA	NLA - Screw, Hex Head (1/4-20 x 1-1/8")	25	3
7		1027274	Adjustment Lock Assemnbly, Black	1	1
8	A	1071879-NLA	NLA - Bracket, Joystick Mounting, Black	1	1
9		1027266	Half Clamp, Non-Threaded Holes	1	1
10		1027267-NLA	NLA - Half Clamp, Threaded Holes	1	1
11	A,C	1071880-NLA	NLA - Hardware, Attaching - Mid-Line	1	1
	D	1092610-NLA	NLA - Joystick, RII	1	1

NOTE: A - Left side joystick mounting bracket or hardware must be ordered as special.  
 B - Includes items 1-4  
 C - Includes items 6-10  
 D - Not Shown