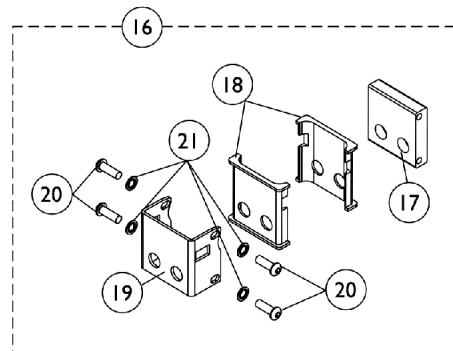
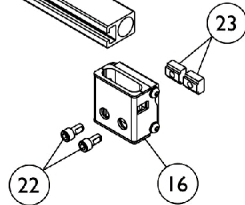
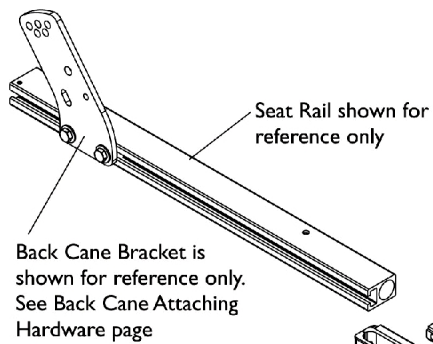
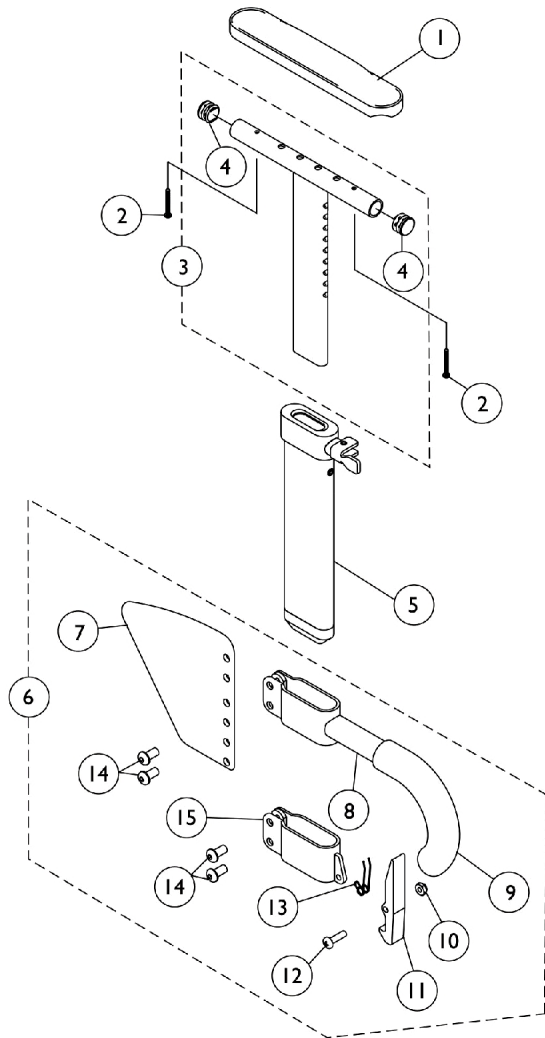


Arms, "T" and Hardware

"T"- Arms are used for 12" - 16" Wide and 12" - 18" Deep wheelchairs with TRRO Option and without TRRO Option.



Arms, "T" and Hardware

"T"- Arms are used for 12" - 16" Wide and 12" - 18" Deep wheelchairs with TRRO Option and without TRRO Option.

Item Number	Note	Part Number	Description	Quantity Per	
				Package	Assembly
1	A	8881083213-NL A	NLA - Pad, Arm, Desk Length - Right (9" L x 2" W)	1	1
1	A	8881083214-NL A	NLA - Pad, Arm, Desk Length - Left (9" L x 2" W)	1	1
1	A	8881053570	Kit, Arm Pad w/ Screws, Desk Length (Pair)	2	1
1	A	8881083215-NL A	NLA - Pad, Arm, Full Length - Right (14" L x 2" W)	1	1
1	A	8881083216-NL A	NLA - Pad, Arm, Full Length - Left (14" L x 2" W)	1	1
1	A	8881053571	Kit, Arm Pad w/ Screws, Full Length (Pair)	2	1
2		1055205	Package, Screw Phillips Pan Head (#10-32 x 1-3/8")	2	1
3		1069639	T-Arm Assembly w/ Plug Buttons, Desk Length, Low Range, Black	1	1
3		1069643	T-Arm Assembly w/ Plug Buttons, Full Length, Low Range, Black	1	1
4		1027095	Plug Button, Black (7/8")	1	2
5		1069635	Post, Arm, Low Range	1	1
6		1073424	Kit, Clothing Guard, Low Range - Right	1	1
6		1073425	Kit, Clothing Guard, Low Range - Left	1	1
7		1069652-NLA	NLA - Guard, Clothing, Low Range	1	1
8		1069634	Tube, Support, Low Range, Black - Right	1	1
8		1073247-NLA	NLA - Tube, Support, Low Range, Black - Left	1	1
9		1028427	Grip, Foam	1	1
10		1025731	Locknut (#10-32)	1	1
11		1076839-NLA	NLA - Lever, Locking	1	1
12		1025716	Screw, Phillips Pan Head (#10-32 x 11/16")	1	1
13		1073196-NLA	NLA - Spring, Torsion	1	1
14		1006773-NLA	NLA - Screw, Socket Button Head (1/4-20 x 1/2")	1	4
15		1075069-NLA	NLA - Clamp, Clothing Guard - Right	1	1
15		1075070-NLA	NLA - Clamp, Clothing Guard - Left	1	1
16	B	1151356	Kit, "T" Arm Socket Mounting Hardware	1	1
17			Bracket, "T" Arm Socket	1	1
18			Insert, Arm Socket, Black	1	2
19			NLA - Bracket, Socket, Black	1	1
20			NLA - Screw, Socket Button Head (1/4-28 x 3/4")	1	4
21			Lockwasher (1/4 x 15/32 x 1/64")	1	4
22		1098960	Screw, Socket Head w/ Patch (5/16-18 x 5/8")	1	2
23		1069724	T-Nut (5/16-18)	1	2

NOTE: A - Specify U67 upholstery color when ordering.
B - Includes items 17-21