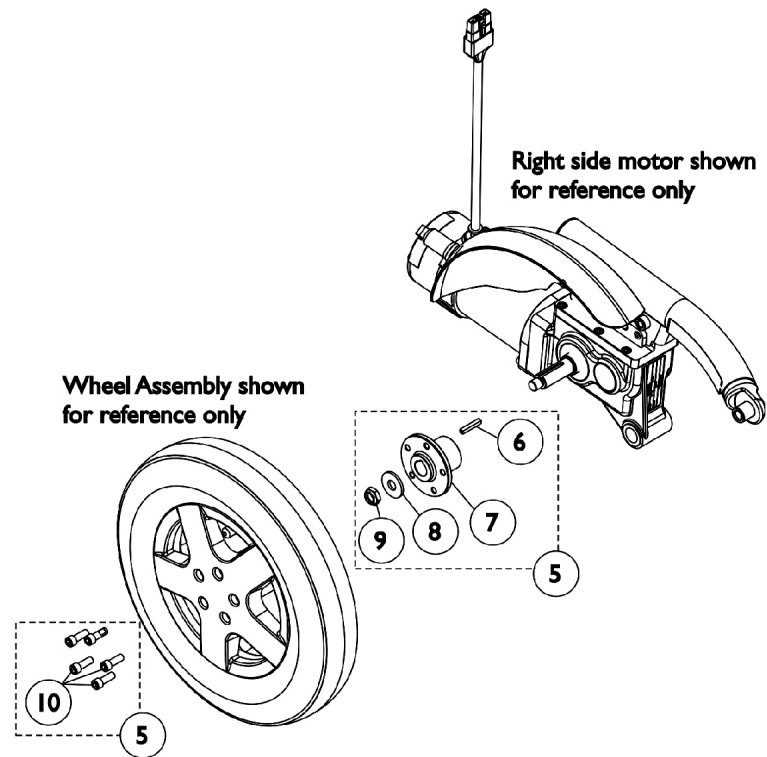
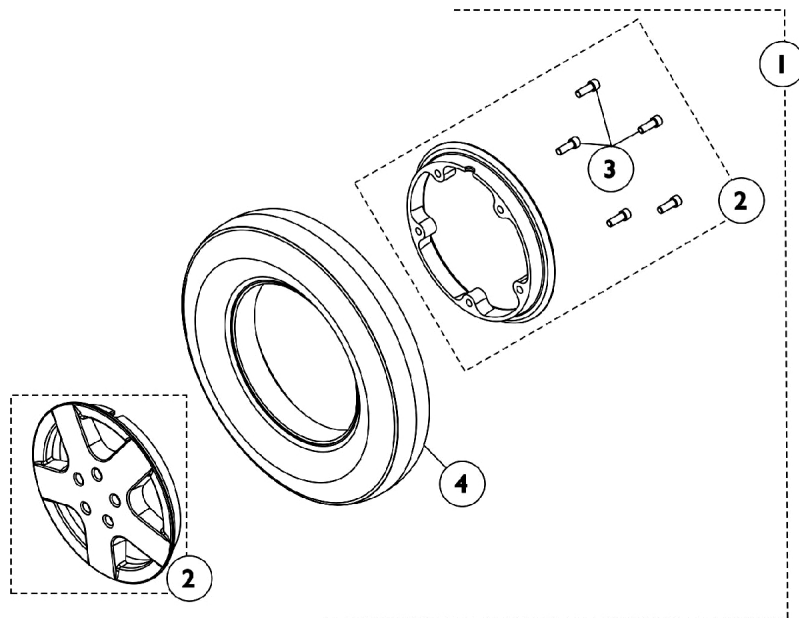


# Drive Wheels and Mounting Hardware (14" x 3") TDX SP/SP-GT (Before 3/16/11)



## Drive Wheels and Mounting Hardware (14" x 3") TDX SP/SP-GT (Before 3/16/11)

Item Number	Note	Part Number	Description	Quantity Per	
				Package	Assembly
1	A,D,D1	1144660-NLA	NLA - Drive Wheel Assembly, w/ Flat Free, Grey Tire/Black Rim (14" x 3")	1	1
1	A	1178834	Drive Wheel Assembly, Flat Free Gel Foam, Grey Tire/Black Rim (14" x 3")	1	1
1	A,E	1144653-NLA	NLA - Drive Wheel Assembly, Pneumatic, Grey Tire/Black Rim (14 x 3")	1	1
1	A	1176911	Drive Wheel Assembly, Pneumatic, Grey Tire/Black Rim (14" x 3")	1	1
2	C	1121707-NLA	NLA - Kit, 8" Rim w/ Hardware (14" x 3" Wheel)	1	1
4		1039652	Tire, Pneumatic, Grey (14" x 3")	1	1
4		1039651	Tube, Inner, Black (14 x 3")	1	1
4	F	1141342	Tire w/ Foam Fill Insert, Grey (14" x 3")	1	1
5	B	1144654	Kit, Drive Wheel Mounting Hardware (14" x 3")	1	1
6		1000180	Key (3/16 x 1-1/4")	1	1
7		1142329	Hub, Wheel	1	1
8		1036933	Washer (1/2 x 1-9/32 x 1/8")	1	1
9		1025737	Locknut (1/2-20)	1	1
10		1101094	Screw, Socket Head w/ Patch (5/16-18 x 7/8")	1	5

NOTE: A - Includes items 2-4  
 B - Includes items 6-10  
 C - Sold complete. Includes the Rims and (5) ea. Socket Head Screws w/ Patch (5/16-18 x 7/8"). Rim Hardware is used for item #1 Drive Wheel part #'s 1144660 and 1144653 only.  
 D - Part #1144660 is No Longer Available. Use part #1178834 as a replacement that is sold complete with Grey Tire/Black Rim, Metric Rim Hardware and Flat Free Gel Foam material.  
 D1 - It is recommended to order in pairs because of the flat free foam density difference.  
 E - Part #1144653 is No Longer Available. Use part #1176911 as a replacement. This item has Metric Rim Hardware. Tire and Tube still available for individual sale.  
 F - 14" x 3" Tire w/ Soft Density Flat Free Gel foam (yellow) is not available for item #1 part number 1178834. Customer can use the Tire w/ Hard Density Flat Free foam (green) part #1141342. It is recommended to order in pairs to match.