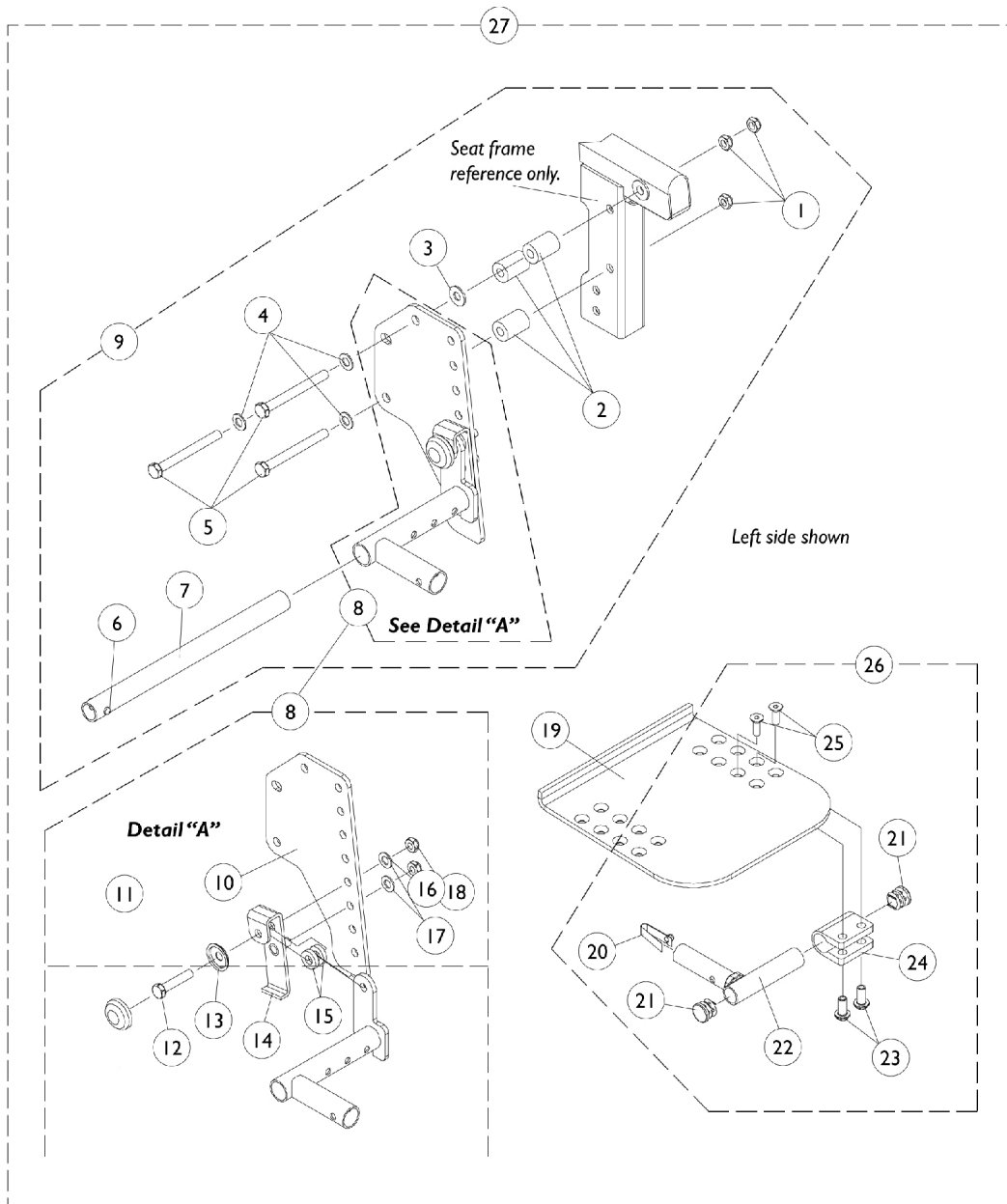


Adjustable Flip-Up Removable Footboard 90FBI (Sling Seat) and 90FB (Captain Seat)



Adjustable Flip-Up Removable Footboard 90FBI (Sling Seat) and 90FB (Captain Seat)

Item Number	Note	Part Number	Description	Quantity Per	
				Package	Assembly
1		7930330-NLA	NLA - Locknut (5/16-24)	25	6
2		1074138-NLA	NLA - Spacer (5/16 x 3/4 x 1")	1	6
3		1074133	Washer, Steel (5/16 x 3/4 x 1/16")	1	2
4		1025704	Washer, Flat (5/16 x 5/8 x 1/16")	1	6
5		1028600-NLA	NLA - Screw, Hex Head (5/16-24 x 3")	1	6
6		40188X009	Button, Single Snap	1	1
7		1095124-NLA	NLA - Support Tube w/ Spring Assembly	1	1
8		1094626-NLA	NLA - Footboard Pivot Assembly - Right	1	1
8		1094627-NLA	NLA - Footboard Pivot Assembly - Left	1	1
9	B	1094628-NLA	NLA - Footboard Mounting Hardware Assembly (Pair)	1	1
10		1074136-NLA	NLA - Bracket, Mounting, Black	1	1
11		1016291	Cap, Hub, Black	1	1
12		1070398-NLA	NLA - Screw, Hex Head (5/16-18 x 1-1/2")	1	1
13		1028491-NLA	NLA - Washer, Caplugs (11/32" I.D. x 1" O.D.)	1	1
14		1094632-NLA	NLA - Bracket, Stop Pivot Support, Black	1	1
15		1074210-NLA	NLA - Washer, Nylon (23/64 x 3/4 x 5/32")	1	2
16		1094614-NLA	NLA - Bracket, Footboard Receiving, Black - Right	1	1
16		1094615-NLA	NLA - Bracket, Footboard Receiving, Black - Left	1	1
17		1025704	Washer, Flat (5/16 x 5/8 x 1/16")	1	2
18		1028769	Locknut (5/16-18)	1	2
19	E	1094613-NLA	NLA - Footboard, Black (18" W)	1	1
20		40188X009	Button, Single Snap	1	2
21		1027097	Plug Button, Black (3/4")	1	4
22		1094611-NLA	NLA - Support Tube w/ Snap Tube, Black	1	2
23		1082686	Nut, Barrel, Hex Head (1/4-20 x 11/16")	1	4
24		1058517	Clamp, Footplate	1	2
25		1029545	Screw, Socket Flat Head (1/4-20 x 3/4")	1	4
26	C	1094629-NLA	NLA - Hardware, Footboard (Pair)	1	1
27	D	1094636-NLA	NLA - Kit, Footboard Conversion (18" W) (Including 22" W Captain Seats)	1	1
	A	1078193-NLA	NLA - Instruction Sheet, Footboard Assembly	1	1

NOTE: A - Not Shown
B - Includes items 1-5, 7 and 8
C - Includes items 20-25
D - Include items 9, 19, 26 and instruction sheet
E - 18" Wide Chairs