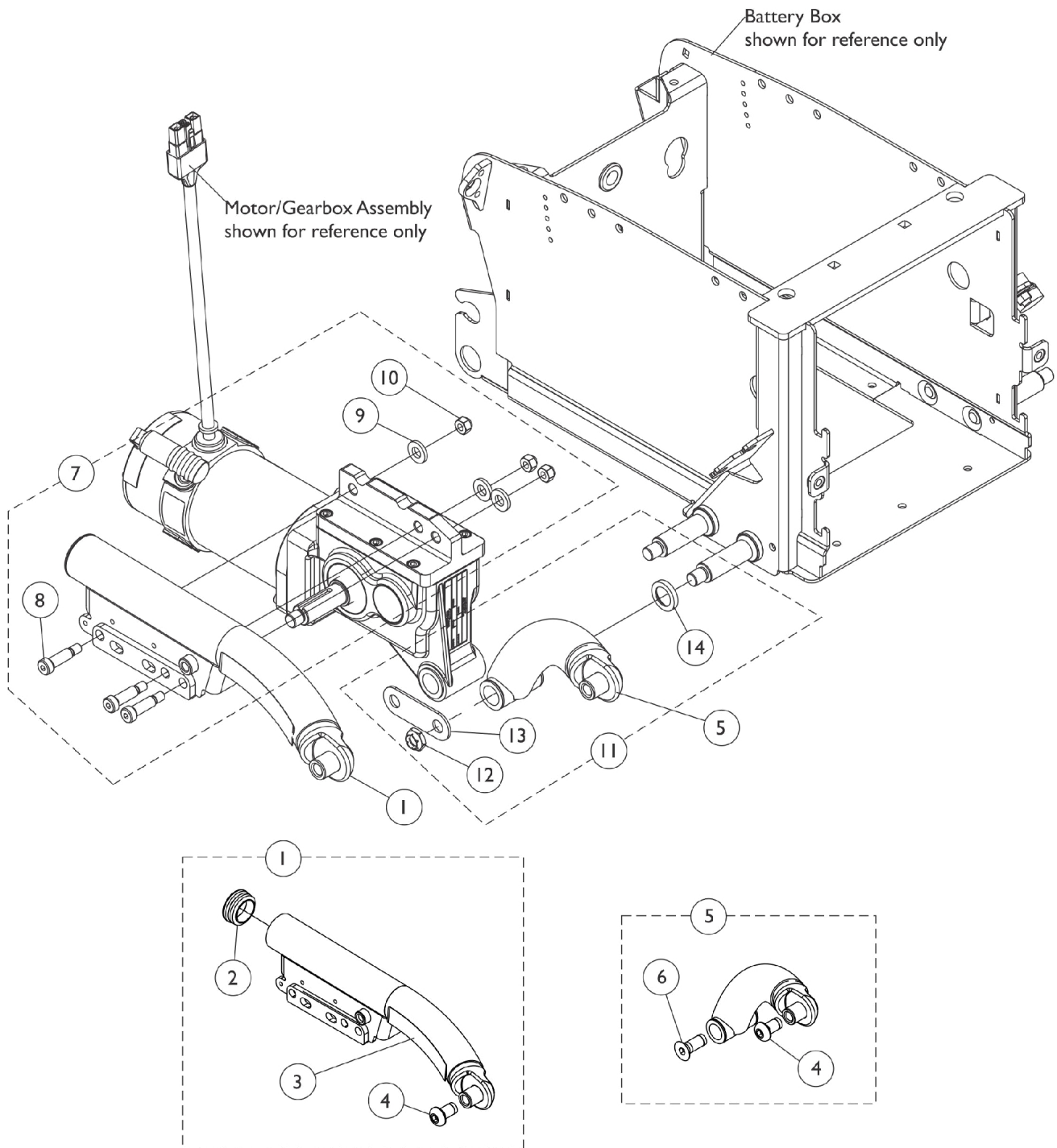


# Walking Beam, Lower Pivot Link and Mounting Hardware TDX SP/SP-GT (Canada Before 7/1/11)



## Walking Beam, Lower Pivot Link and Mounting Hardware TDX SP/SP-GT (Canada Before 7/1/11)

Item Number	Note	Part Number	Description	Quantity Per	
				Package	Assembly
1	A,C,I	8881145062	NLA - Kit, Walking Beam Assembly w/ Yellow Decal, Color - Right	1	1
2			NLA - Plug Button, Round, Black (1-1/2")	1	1
3			Decal, TDX SP, Yellow	1	1
4			Screw, Socket Button Head Cap w/ Patch (1/2-13 x 7/8")	1	1
1	A,C,I	8881145063	Kit, Walking Beam Assembly w/ Yellow Decal, Color - Left	1	1
2			NLA - Plug Button, Round, Black (1-1/2")	1	1
3			Decal, TDX SP, Yellow	1	1
4			Screw, Socket Button Head Cap w/ Patch (1/2-13 x 7/8")	1	1
1	B,C,I	8881145064	NLA - Kit, Walking Beam Assembly w/ Black Decal, Color - Right	1	1
2			NLA - Plug Button, Round, Black (1-1/2")	1	1
3			Decal, TDX SP, Black	1	1
4			Screw, Socket Button Head Cap w/ Patch (1/2-13 x 7/8")	1	1
1	B,C,I	8881145065	NLA - Kit, Walking Beam Assembly w/ Black Decal, Color - Left	1	1
2			NLA - Plug Button, Round, Black (1-1/2")	1	1
3			Decal, TDX SP, Black	1	1
4			Screw, Socket Button Head Cap w/ Patch (1/2-13 x 7/8")	1	1
3	A	1144688	Decal, TDX SP, Yellow	1	1
3	B	1121689	Decal, TDX SP, Black	1	1
5	C,G,H	8881142330	Kit, Link Assembly, Lower Pivot, Color - Right	1	1
4			Screw, Socket Button Head Cap w/ Patch (1/2-13 x 7/8")	1	1
6			Screw, Socket Flat Head w/ Patch (1/2-13 x 1-1/4")	1	1
5	C,G,H	8881142331	Kit, Link Assembly, Lower Pivot, Color - Left	1	1
4			Screw, Socket Button Head Cap w/ Patch (1/2-13 x 7/8")	1	1
6			Screw, Socket Flat Head w/ Patch (1/2-13 x 1-1/4")	1	1
7	D	1145068	Kit, Walking Beam Mounting Hardware	1	1
8			NLA - Screw, Shoulder Hex Socket Head (3/8 x 1", 5/16-18)	1	3
9			NLA - Washer, Steel (7/16 x 13/16 x 1/8")	1	3
10			Locknut (5/16-18)	1	3
11	E	1145055	Kit, Lower Pivot Link/4-Pole Motor Mounting Hardware	1	1
12			Locknut (1/2-20)	1	1
13			Plate, Washer	1	1
14			Spacer, Coved (3/4 x 1-1/8 x 1-1/32")	1	1

# Walking Beam, Lower Pivot Link and Mounting Hardware TDX SP/SP-GT (Canada Before 7/1/11)

NOTE: A - The TDX SP yellow decal is used for all frame colors except 30P Sunny Yellow, 60P Silver Metallic and 71P Silver Vein  
B - The TDX SP black decal is used for 30P Sunny Yellow, 60P Silver Metallic and 71P Silver Vein frame colors only  
C - Specify frame color when ordering. See page titled "Frame Finishes, Touch-Up Paints and Upholstery Options".  
D - Includes items 8-10  
E - Includes items 12-14. Order two hardware kits when a total removal of the Washer Plate from the Motor Assembly "and" Lower Pivot Link Assembly is required.  
G - Lower Pivot Link for TDX SP includes the Lower Pivot Link Assembly, items 4, 6 and contains a 2 ea. press fitted plastic Flange Bearing (not shown). The Flange Bearings are not sold separately.  
H - TDX SP and TDX SC/Spree use the same Lower Pivot Link part #. When a new Lower Pivot Link is ordered, a new Screw, Socket Flat Head w/ Patch (1/2-13 x 1-1/4") will be included. The screw is used for TDX SC/Spree models only.  
I - Includes the Walking Beam Assembly and items 2-4