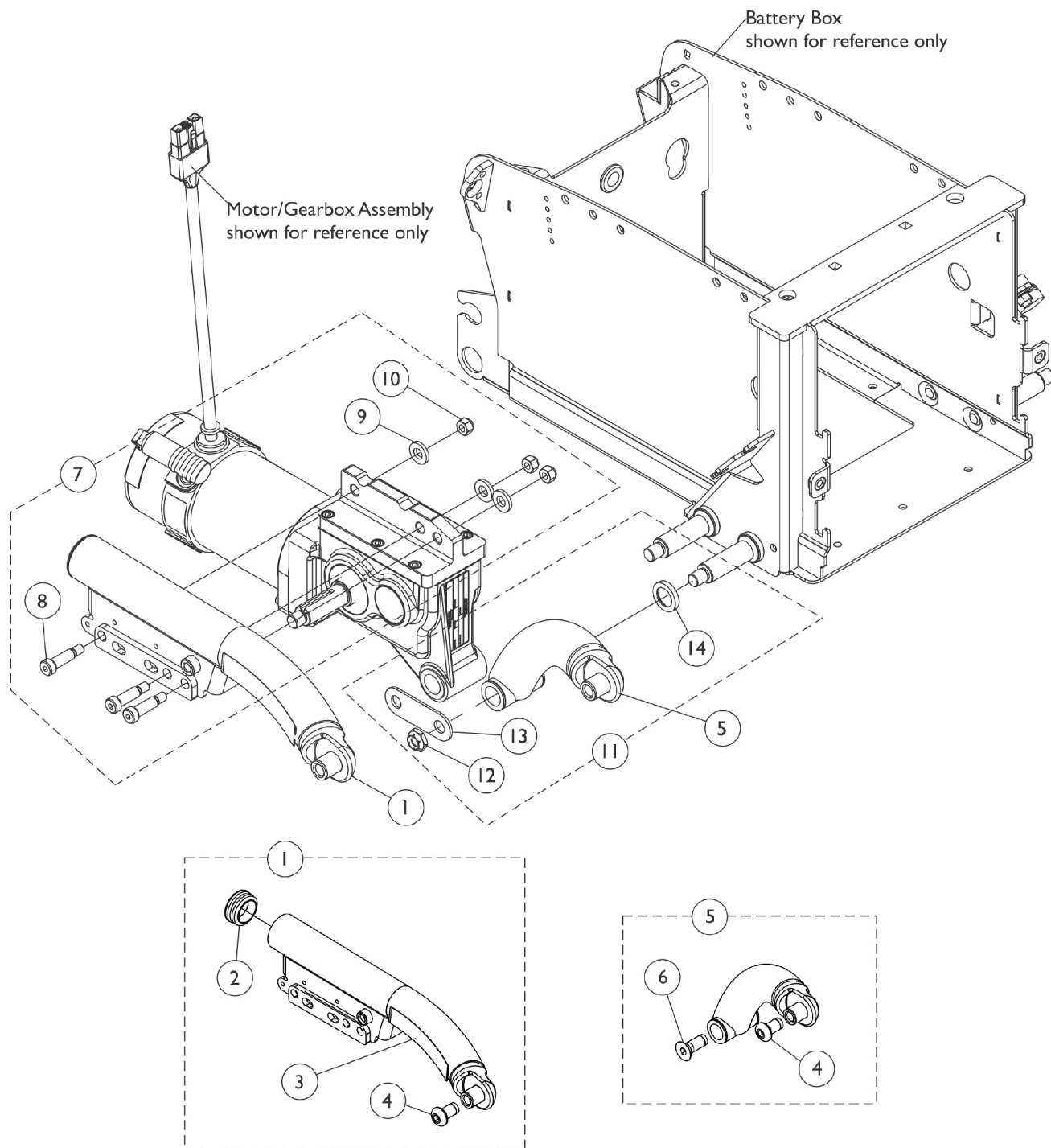


# Walking Beam, Lower Pivot Link and Mounting Hardware TDX SP/SP-GT (Before 3/16/11)



## Walking Beam, Lower Pivot Link and Mounting Hardware TDX SP/SP-GT (Before 3/16/11)

| Item Number | Note  | Part Number        | Description   | Quantity Per |          |
|-------------|-------|--------------------|---|--------------|----------|
|             |       |                    |   | Package      | Assembly |
| 1           | A,C,I | 8881145062-NL<br>A | NLA - Kit, Walking Beam Assembly w/ Yellow Decal, Color - Right | 1            | 1        |
| 2           |       |                    | NLA - Plug Button, Round, Black (1-1/2")                        | 1            | 1        |
| 3           |       |                    | Decal, TDX SP, Yellow   | 1            | 1        |
| 4           |       |                    | Screw, Socket Button Head Cap w/ Patch (1/2-13 x 7/8")          | 1            | 1        |
| 1           | A,C,I | 8881145063         | Kit, Walking Beam Assembly w/ Yellow Decal, Color - Left        | 1            | 1        |
| 2           |       |                    | NLA - Plug Button, Round, Black (1-1/2")                        | 1            | 1        |
| 3           |       |                    | Decal, TDX SP, Yellow   | 1            | 1        |
| 4           |       |                    | Screw, Socket Button Head Cap w/ Patch (1/2-13 x 7/8")          | 1            | 1        |
| 1           | B,C,I | 8881145064-NL<br>A | NLA - Kit, Walking Beam Assembly w/ Black Decal, Color - Right  | 1            | 1        |
| 2           |       |                    | NLA - Plug Button, Round, Black (1-1/2")                        | 1            | 1        |
| 3           |       |                    | Decal, TDX SP, Black  | 1            | 1        |
| 4           |       |                    | Screw, Socket Button Head Cap w/ Patch (1/2-13 x 7/8")          | 1            | 1        |
| 1           | B,C,I | 8881145065-NL<br>A | NLA - Kit, Walking Beam Assembly w/ Black Decal, Color - Left   | 1            | 1        |
| 2           |       |                    | NLA - Plug Button, Round, Black (1-1/2")                        | 1            | 1        |
| 3           |       |                    | Decal, TDX SP, Black  | 1            | 1        |
| 4           |       |                    | Screw, Socket Button Head Cap w/ Patch (1/2-13 x 7/8")          | 1            | 1        |
| 3           | A     | 1144688            | Decal, TDX SP, Yellow   | 1            | 1        |
| 3           | B     | 1121689            | Decal, TDX SP, Black  | 1            | 1        |
| 5           | C,G,H | 8881142330         | Kit, Link Assembly, Lower Pivot, Color - Right                  | 1            | 1        |
| 4           |       |                    | Screw, Socket Button Head Cap w/ Patch (1/2-13 x 7/8")          | 1            | 1        |
| 6           |       |                    | Screw, Socket Flat Head w/ Patch (1/2-13 x 1-1/4")              | 1            | 1        |
| 5           | C,G,H | 8881142331         | Kit, Link Assembly, Lower Pivot, Color - Left                   | 1            | 1        |
| 4           |       |                    | Screw, Socket Button Head Cap w/ Patch (1/2-13 x 7/8")          | 1            | 1        |
| 6           |       |                    | Screw, Socket Flat Head w/ Patch (1/2-13 x 1-1/4")              | 1            | 1        |
| 7           | D     | 1145068            | Kit, Walking Beam Mounting Hardware                             | 1            | 1        |
| 8           |       |                    | NLA - Screw, Shoulder Hex Socket Head (3/8 x 1", 5/16-18)       | 1            | 3        |
| 9           |       |                    | NLA - Washer, Steel (7/16 x 13/16 x 1/8")                       | 1            | 3        |
| 10          |       |                    | Locknut (5/16-18)   | 1            | 3        |
| 11          | E     | 1145055            | Kit, Lower Pivot Link/4-Pole Motor Mounting Hardware            | 1            | 1        |
| 12          |       |                    | Locknut (1/2-20)  | 1            | 1        |
| 13          |       |                    | Plate, Washer   | 1            | 1        |
| 14          |       |                    | Spacer, Coved (3/4 x 1-1/8 x 1-1/32")                           | 1            | 1        |

# Walking Beam, Lower Pivot Link and Mounting Hardware

## TDX SP/SP-GT (Before 3/16/11)

NOTE: A - The TDX SP yellow decal is used for all frame colors except 30P Sunny Yellow, 60P Silver Metallic and 71P Silver Vein  
B - The TDX SP black decal is used for 30P Sunny Yellow, 60P Silver Metallic and 71P Silver Vein frame colors only  
C - Specify frame color when ordering. See page titled "Frame Finishes, Touch-Up Paints and Upholstery Options".  
D - Includes items 8-10  
E - Includes items 12-14. Order two hardware kits when a total removal of the Washer Plate from the Motor Assembly "and" Lower Pivot Link Assembly is required.  
G - Lower Pivot Link for TDX SP includes the Lower Pivot Link Assembly, items 4, 6 and contains a 2 ea. press fitted plastic Flange Bearing (not shown). The Flange Bearings are not sold separately.  
H - TDX SP and TDX SC/Spree use the same Lower Pivot Link part #. When a new Lower Pivot Link is ordered, a new Screw, Socket Flat Head w/ Patch (1/2-13 x 1-1/4") will be included. The screw is used for TDX SC/Spree models only.  
I - Includes the Walking Beam Assembly and items 2-4