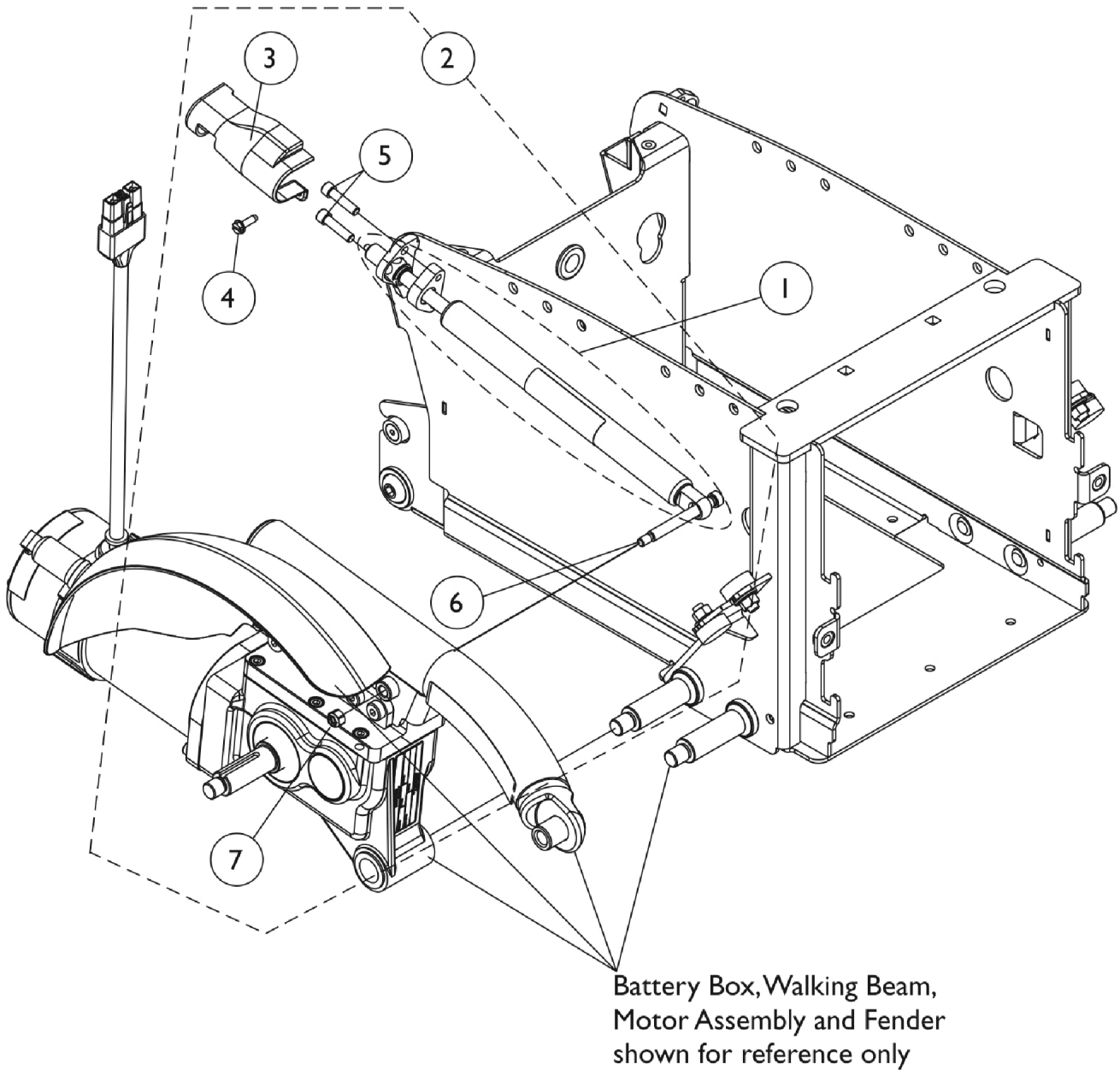


# Locking Gas Cylinders

TDX SP/SP-GT - After 3/4/07 (Canada Before 7/1/11)



## Locking Gas Cylinders

### TDX SP/SP-GT - After 3/4/07 (Canada Before 7/1/11)

Item Number	Note	Part Number	Description	Quantity Per	
				Package	Assembly
1	B	1144661	Cylinder, Locking Gas	1	1
1	C	1144655	Cylinder, Locking Gas	1	1
2	A	1144598	Kit, Locking Gas Cylinder Mounting Hardware - Right	1	1
3			Boot - Right	1	1
4			Screw, Slotted Hex Washer Head (#10-32 x 5/8")	1	1
5			NLA - Screw, Socket Head Cap w/ Patch (1/4-20 x 1")	1	2
6			Screw, Shoulder Hex Socket Head (5/16" x 2-1/2", 1/4-20)	1	1
7			Locknut (1/4-20)	1	1
2	A	1144599	Kit, Locking Gas Cylinder Mounting Hardware - Left	1	1
3			Boot - Left	1	1
4			Screw, Slotted Hex Washer Head (#10-32 x 5/8")	1	1
5			NLA - Screw, Socket Head Cap w/ Patch (1/4-20 x 1")	1	2
6			Screw, Shoulder Hex Socket Head (5/16" x 2-1/2", 1/4-20)	1	1
7			Locknut (1/4-20)	1	1

NOTE: A - Includes items 3-7.  
 B - Used for 300 Lb. User Weight Limit  
 C - Used for 400 Lb. User Weight Limit