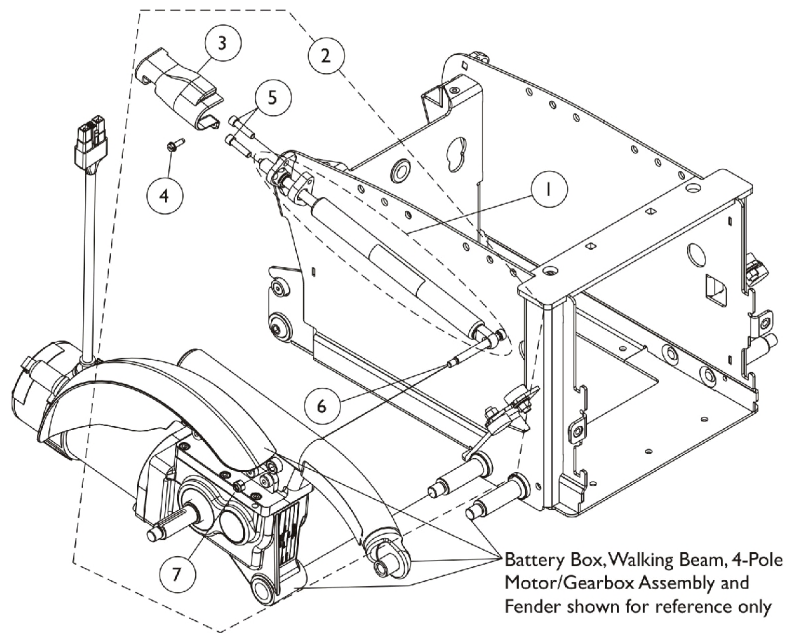
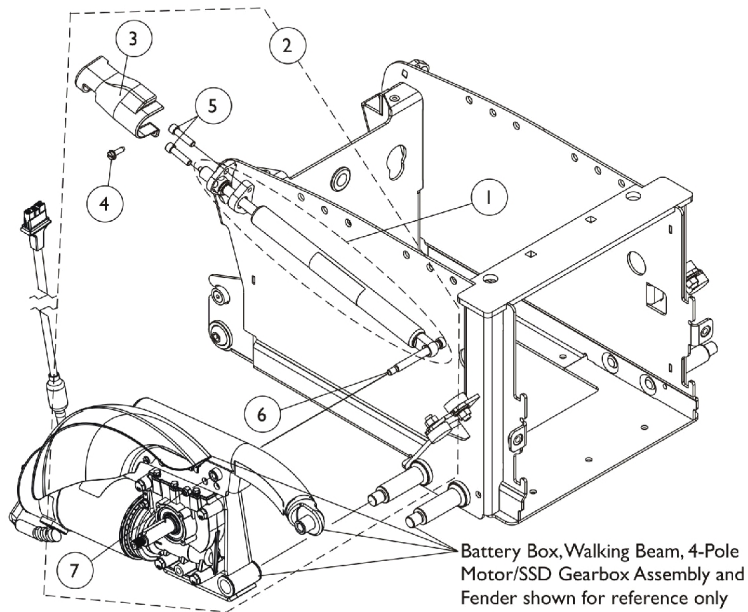


Locking Gas Cylinders

TDX SP/SP-GT (After 3/4/07) (Canada After 6/30/11)



Locking Gas Cylinder Mounting Hardware
showing 4-Pole Motor/Gearbox Assembly used 3/5/07-3/15/11 (Canada 3/5/07-6/30/11)



Locking Gas Cylinder Mounting Hardware
showing 4-Pole Motor/SSD Gearbox Assembly After 3/15/11 (Canada After 6/30/11)

Locking Gas Cylinders

TDX SP/SP-GT (After 3/4/07) (Canada After 6/30/11)

Item Number	Note	Part Number	Description	Quantity Per	
				Package	Assembly
1	B	1144661	Cylinder, Locking Gas	1	1
1	C	1144655	Cylinder, Locking Gas	1	1
2	A	1144598	Kit, Locking Gas Cylinder Mounting Hardware - Right	1	1
3			Boot - Right	1	1
4			Screw, Slotted Hex Washer Head (#10-32 x 5/8")	1	1
5			NLA - Screw, Socket Head Cap w/ Patch (1/4-20 x 1")	1	2
6			Screw, Shoulder Hex Socket Head (5/16" x 2-1/2", 1/4-20)	1	1
7			Locknut (1/4-20)	1	1
2	A	1144599	Kit, Locking Gas Cylinder Mounting Hardware - Left	1	1
3			Boot - Left	1	1
4			Screw, Slotted Hex Washer Head (#10-32 x 5/8")	1	1
5			NLA - Screw, Socket Head Cap w/ Patch (1/4-20 x 1")	1	2
6			Screw, Shoulder Hex Socket Head (5/16" x 2-1/2", 1/4-20)	1	1
7			Locknut (1/4-20)	1	1

NOTE: A - Includes items 3-7. Locking Gas Cylinder Mounting Hardware is also used for 4-Pole Motor/SSD Gearbox Assemblies introduced 3/15/11.
 B - Used for 300 Lb. User Weight Limit
 C - Used for 400 Lb. User Weight Limit