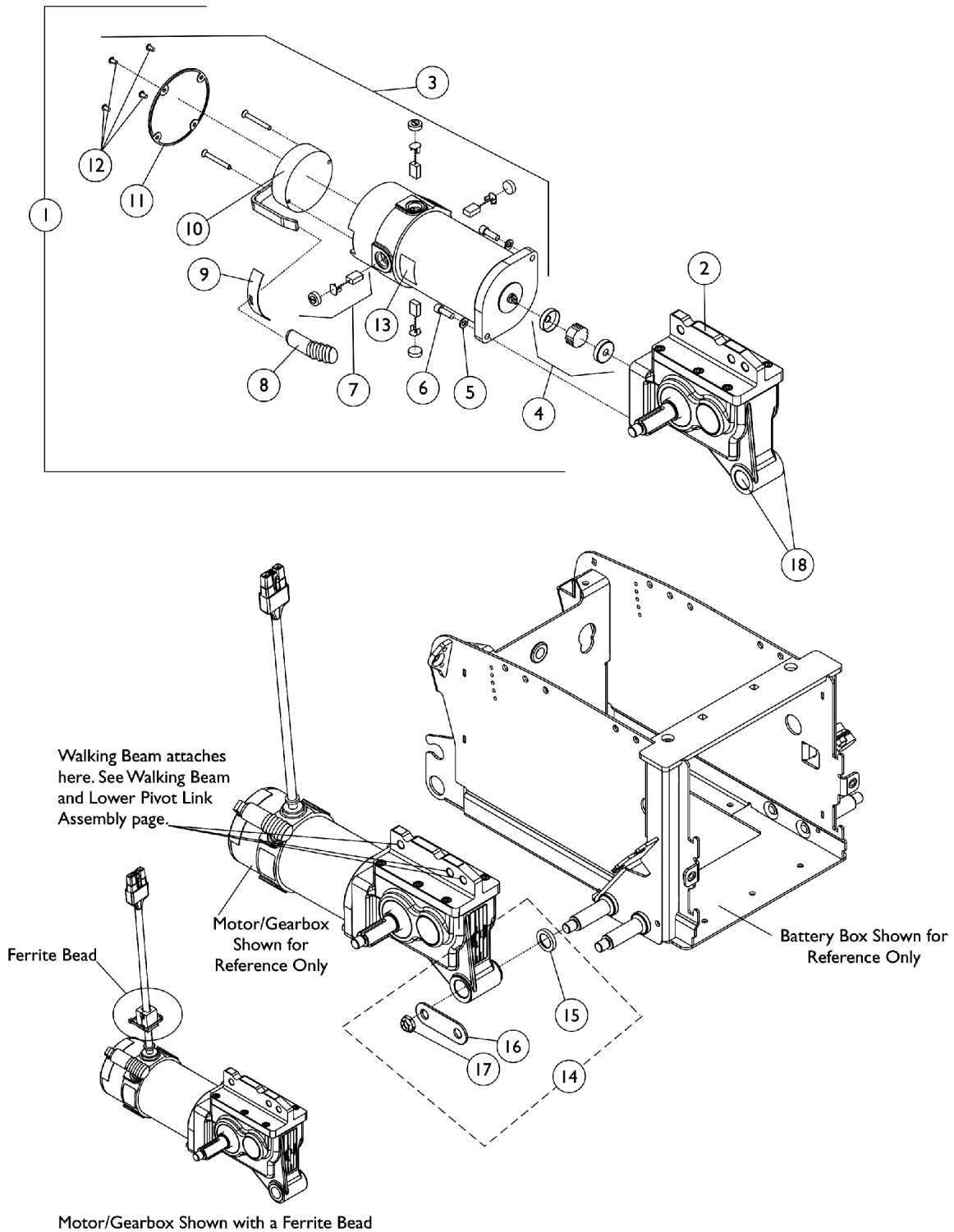


Motor, 4-Pole, Gearbox and Mounting Hardware Canada Before 7/1/11



Motor, 4-Pole, Gearbox and Mounting Hardware Canada Before 7/1/11

Item Number	Note	Part Number	Description	Quantity Per	
				Package	Assembly
1	A,E	1144656	Motor/Gearbox Assembly - Right	1	1
1	A,E	1144656E-NLA	WARR RPLMT - Motor/Gearbox Assembly - Right	1	1
1	A,E,J	1153661	Motor/Gearbox Assembly w/ Ferrite Bead - Right	1	1
1	A,E	1144657	Motor/Gearbox Assembly - Left	1	1
1	A,E	1144657E-NLA	NLA - WARR RPLMT - Motor/Gearbox Assembly - Left	1	--
1	A,E,J	1153662	Motor/Gearbox Assembly w/ Ferrite Bead - Left	1	1
1	B,E	1144664-NLA	NLA - Motor/Gearbox Assembly - Right	1	1
1	B,E,J	1153663-NLA	NLA - Motor/Gearbox Assembly w/ Ferrite Bead - Right	1	1
1	B,E	1144665-NLA	NLA - Motor/Gearbox Assembly - Left	1	1
1	B,E,J	1153664	Motor/Gearbox Assembly w/ Ferrite Bead - Left	1	1
2	A,C	1145058	Gearbox - Right	1	1
2	A,C	1145059	Gearbox - Left	1	1
2	B,C	1145060-NLA	NLA - Gearbox - Right	1	1
2	B,C	1145061	Gearbox - Left	1	1
3	G	1121144	Motor Assembly - Right	1	1
3	G	1121144E-NLA	NLA - WARR RPLMT - Motor Assembly - Right	1	1
3	G,J	1153673-NLA	NLA - Motor Assembly w/ Ferrite Bead - Right	1	1
3	G	1121145	Motor Assembly - Left	1	1
3	G	1121145E-NLA	NLA - WARR RPLMT - Motor Assembly - Left	1	1
3	G,J	1153674-NLA	NLA - Motor Assembly w/ Ferrite Bead - Left	1	1
4		50000X007-NLA	NLA - Coupling w/ Cup (1-5/16" Diameter)	1	1
5		10502X001-NLA	NLA - Lockwasher (1/4")	1	2
6	C	1108978	Screw, Socket Head (M6 x 1 x 20mm)	1	2
6	C	1043594	Screw, Socket Head (1/4-20 x 1-1/8")	1	2
7	K	1070296-NLA	NLA - Kit, Brushes with Caps, 4-Pole	1	1
			Brush, Motor, 4 Pole	1	4
			Cap, Brush	1	4
			Instruction Sheet	1	1
8		1101725	Cap, Brake Lever End, Black	1	1
8		1130584	Package, Cap, Brake Lever End, Black	10	1
9		1082985-NLA	NLA - Plate, Slotted	1	1
10	H	See Note	See Footnote	1	1
11		1104402-NLA	NLA - Cover, Brake w/ Screws, Black	1	1
12		1108447-NLA	NLA - Screw, Phillips Pan Head (M4 x .7 x 8mm)	1	4
13		1104797	Decal, Drive/Push	1	1
14	F,I	1145055	Kit, Lower Pivot Link/4-Pole Motor Mounting Hardware	1	1
15			Spacer, Coved (3/4 x 1-1/8 x 1-1/32")	1	1
16			Plate, Washer	1	1
17			Locknut (1/2-20)	1	1
18	L	1164367	Package, Flange Bearings	1	2

Motor, 4-Pole, Gearbox and Mounting Hardware

Canada Before 7/1/11

NOTE: A - Used for 300 Lb. user weight limit.
B - Used for 400 Lb. user weight limit.
C - When a new gearbox or mounting screws are ordered, (2 ea.) metric and (2 ea.) non-metric screws (item 6) must be ordered.
E - Includes items 2-13.
F - Includes items 15-17.
G - Includes items 5-13.
H - Replacement brakes are not available. A new motor assembly must be ordered.
I - Item 16 was changed from a round washer to a washer plate 3/5/07 and is backward compatible in the field. Order two hardware kits when a total removal of the Washer Plate from the Motor Assembly "and" Lower Pivot Link Assembly is required.
J - Motors with a ferrite bead attached are used when a Formula CG Powered Seating System is ordered with smart actuators (SMTACTS). The ferrite bead is a non-serviceable item.
K - Kit includes (4) Brushes, (4) Brush Caps and Instruction Sheet.
L - Package includes (4) Flange Bearings.