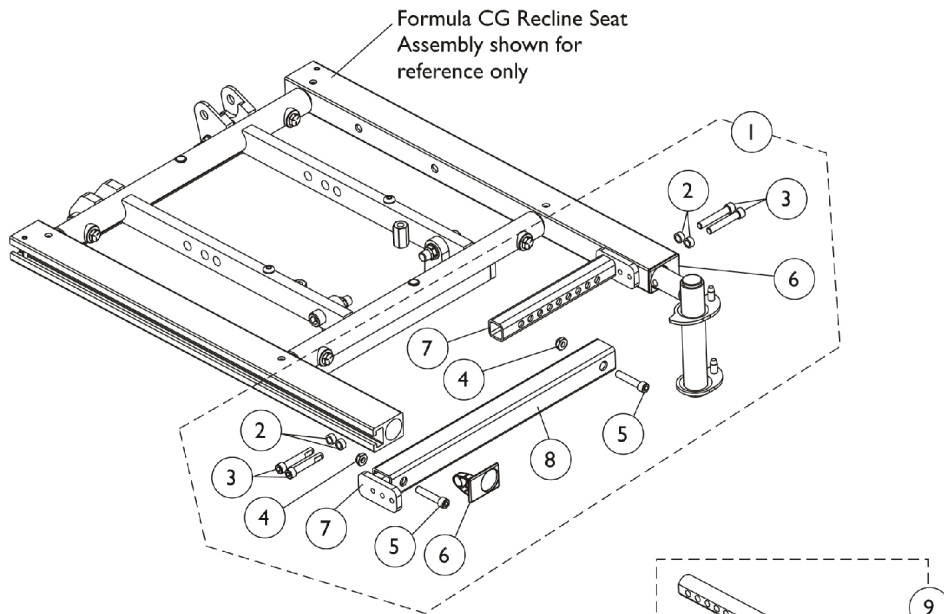
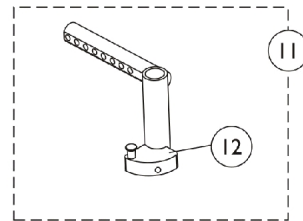
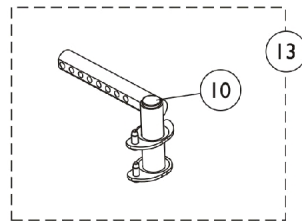


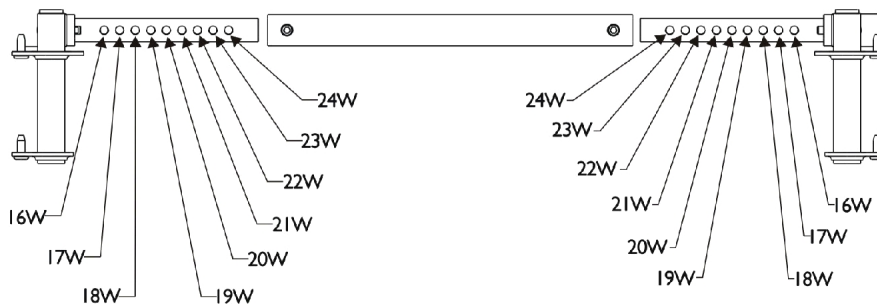
# Front Rigging Hangers and Hardware Pin, Sector and Hemi Style (16"-24" Wide) (CGR, CGTR, CGTRE)



**Front Rigging Hanger Mounting Hardware  
(For Pin and Sector Style Riggings)**



## Width Adjustment Detail



## Front Rigging Hangers and Hardware

### Pin, Sector and Hemi Style (16"-24" Wide) (CGR, CGTR, CGTRE)

| Item Number | Note | Part Number | Description  | Quantity Per |          |
|-------------|------|-------------|--|--------------|----------|
|             |      |             |  | Package      | Assembly |
| 1           | A    | 1172005     | Kit, Front Center Seat Frame Crossmember w/<br>Hardware                          | 1            | 1        |
| 2           |      |             | NLA - Spacer (1/4 x 3/8 x 3/16")   | 1            | 4        |
| 3           |      |             | Screw, Socket Head Cap w/ Patch (1/4-20 x 1-1/2")                                | 1            | 4        |
| 4           |      |             | Locknut (1/4-20)   | 1            | 2        |
| 5           |      |             | Screw, Socket Head (1/4-20 x 1-1/4")   | 1            | 2        |
| 6           |      |             | Cap, End, Side Rail, Black   | 1            | 2        |
| 7           |      |             | Support, Seat Pan (16-24" Wide)  | 1            | 2        |
| 8           |      |             | Crossmember, Front Center Seat Frame, Black                                      | 1            | 1        |
| 2           |      | 1047449-NLA | NLA - Spacer (1/4 x 3/8 x 3/16")   | 1            | 4        |
| 3           |      | 1038379     | Screw, Socket Head Cap w/ Patch (1/4-20 x 1-1/2")                                | 1            | 4        |
| 4           |      | 1025195     | Locknut (1/4-20)   | 1            | 2        |
| 5           |      | 1003545     | Screw, Socket Head (1/4-20 x 1-1/4")   | 1            | 2        |
| 6           |      | 1120286     | Cap, End, Side Rail, Black   | 1            | 2        |
| 7           |      | 1121728     | Support, Seat Pan (16-24" Wide)  | 1            | 2        |
| 8           |      | 1121714     | Crossmember, Front Center Seat Frame, Black                                      | 1            | 1        |
| 9           |      | 1143781     | Front Rigging Hanger Assembly w/ Plug Button, Pin<br>Style, Adult, Black - Right | 1            | 1        |
| 9           |      | 1143782     | Front Rigging Hanger Assembly w/ Plug Button, Pin<br>Style, Adult, Black - Left  | 1            | 1        |
| 10          |      | 1134426     | Package, Plug Button, Black (3/4")   | 10           | 1        |
| 11          | B    | 1143416     | Front Rigging Hanger Assembly w/ Sector Block,<br>Black - Right                  | 1            | 1        |
| 11          | B    | 1143417     | Front Rigging Hanger Assembly w/ Sector Block,<br>Black - Left                   | 1            | 1        |
| 12          | C    | 1054571     | Kit, Sector Block - Right  | 1            | 1        |
| 12          | C    | 1054572     | Kit, Sector Block - Left   | 1            | 1        |
| 13          | D    | 1143783     | Front Rigging Hanger Assembly w/ Plug Button,<br>Hemi, Black - Right             | 1            | 1        |
| 13          | D    | 1143784     | Front Rigging Hanger Assembly w/ Plug Button,<br>Hemi, Black - Left              | 1            | 1        |

NOTE: A - Includes items 2-8  
B - Includes Front Rigging Hanger and item 12  
C - Includes the Sector Block, Screw and Washer  
D - Used for TDX SP/SR models only