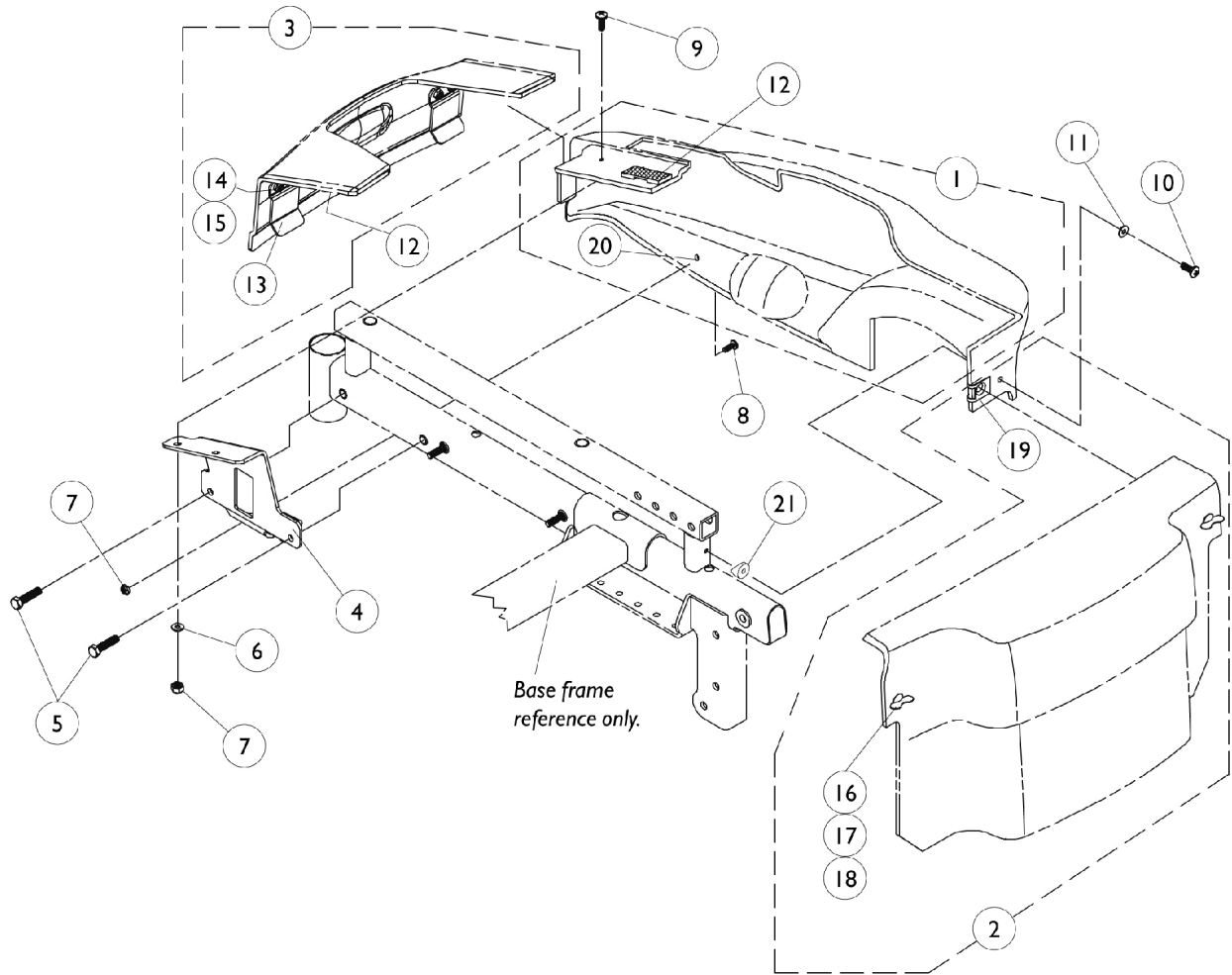


Shroud Covers

Weight Shifting Tilt



Shroud Covers

Weight Shifting Tilt

Shrouds

Item Number	Description	Ocean Blue	Emerald Green	Liquid Black	Candy Apple Red
1	Side Panel w/ Rubber Bushing Right See Note(s) A	1102286-NLA	1102287-NLA	1102285-NLA	1102284-NLA
1	Side Panel w/ Rubber Bushing Left See Note(s) A	1102290-NLA	1102291-NLA	1102289-NLA	1102288-NLA
2	Battery Cover	1094777-NLA	1094778-NLA	1094776-NLA	1094775-NLA
3	Trunk Lid	1102282-NLA	1102283-NLA	1102281-NLA	1102280-NLA

NOTE: A - Decals, Dual lock fasteners, and Spacers are not included with shrouds.

Item Number	Note	Part Number	Description	Quantity Per	
				Package	Assembly
1-3		See Chart	Item #s 1-3 Shroud Covers	1	1
4		1079197-NLA	NLA - Bracket, Side Shroud, Black - Right	1	1
4		1079198-NLA	NLA - Bracket, Side Shroud, Black - Left	1	1
5		1045267	Screw, Hex Head w/ Patch (1/4-20 x 3/4")	1	4
6		1028516	Washer, Steel (3/16 x 7/16 x 1/16")	1	2
7		7930332-NLA	NLA - Locknut, High Profile (#10-32)	25	4
8		1070575-NLA	NLA - Screw, SEMS w/ Washer (#10-32 x 7/8")	1	2
9		1070588-NLA	NLA - Screw, Phillips Truss Head (#10-32 x 1/2")	1	2
10		1028755	Screw, Phillips Pan Head (#10-32 x 5/8")	1	2
11		1070587	Washer, Flat (3/16 x 5/8 x 1/16")	1	2
12	A	1097290	Kit, Dual Lock Fastener/ Spacer	1	1
	B,C	1079196-NLA	NLA - Hardware, Side Panel Attaching	1	1
13		1070577-NLA	NLA - Plate, Trunk Clip	1	2
14		1070588-NLA	NLA - Screw, Phillips Truss Head (#10-32 x 1/2")	25	4
15		7930332-NLA	NLA - Locknut, High Profile (#10-32)	1	2
16		1070583-NLA	NLA - Stud, Wing Head (3/4" Long)	1	4
17		1070581-NLA	NLA - Washer, Nylon Cupped (9/32 x 19/32 x 3/32")	1	4
18		1070580-NLA	NLA - Washer, Nylon Retainer (1/4 x 1/2 x 1/32")	1	4
19		1013497-NLA	NLA - Fastener, Turn, Clip-On (1/4")	1	4
20		1070594-NLA	NLA - Bushing, Rubber	1	2
21	B	40157X019-NLA	NLA - Spacer, Coved (1/4 x 7/8 x 7/16")	1	2
		1102292-NLA	NLA - Instruction Sheet, Dual Lock Fastener/ Spacer Kit	1	1

NOTE: A - Kit includes 2 ea. dual lock fasteners (5/8"W x 2"L) and (1" W x 2"L), 4 ea. dual lock spacers and instruction sheet
 B - Not Shown
 C - Includes items 4-11 and 21