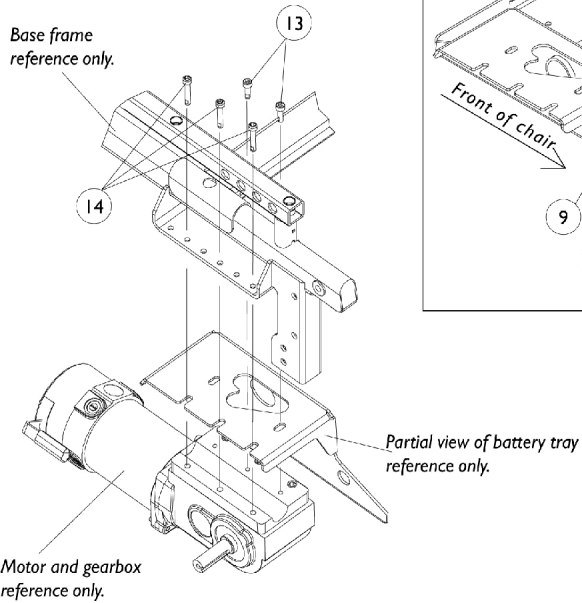
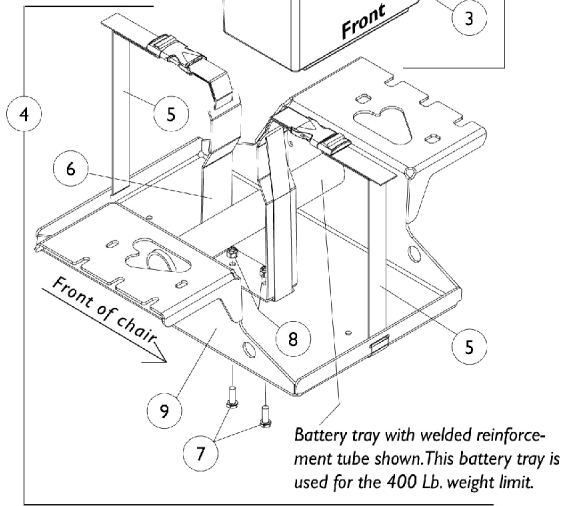
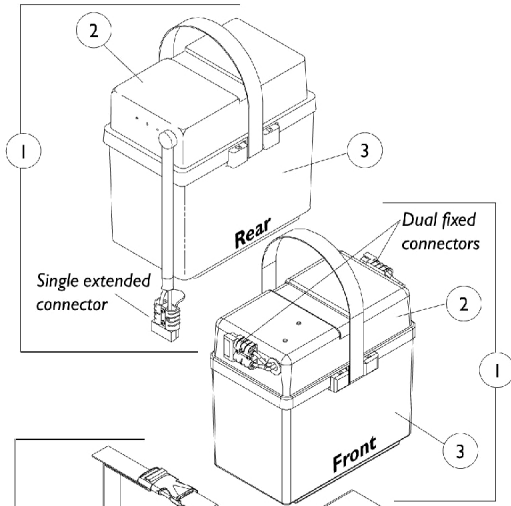
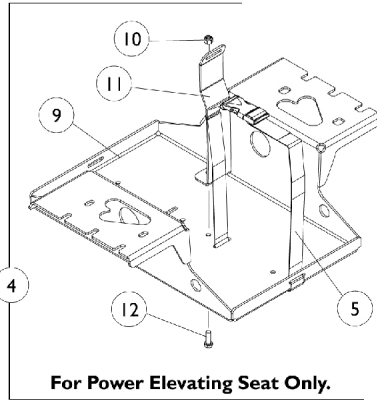


Battery Boxes and Trays

NOTE: 250-S models use U1 batteries with 22NF battery boxes.



Battery Boxes and Trays

| Item Number | Note | Part Number | Description | Quantity Per | |
|-------------|-------|-------------|---|--------------|----------|
| | | | | Package | Assembly |
| 1 | | 1097000-NLA | NLA - Battery Box Assembly, Single Extended Connector, 22NF and UI 250-S Models | 1 | 1 |
| 1 | | 1096998-NLA | NLA - Battery Box Assembly, Dual Fixed Connectors, 22NF and UI 250-S Models | 1 | 1 |
| 2 | B | 1096999-NLA | NLA - Battery Box Top Assembly, Single Extended Connector, 22NF and UI 250-S Models | 1 | 1 |
| 2 | B | 1096997 | Battery Box Top Assembly, Dual Fixed Connectors, 22NF and UI 250-S Models | 1 | 1 |
| 3 | | 1057944 | Battery Box Bottom with Strap, 22NF | 1 | 2 |
| 3 | E | 1057954-NLA | NLA - Strap, Battery | 1 | 1 |
| 3 | E | 1041433-NLA | NLA - Pin, Handle | 1 | 1 |
| 4 | | 1095599-NLA | NLA - Battery Tray Assembly, 250 and 300 Lb. Weight Limit | 1 | 1 |
| 4 | | 1095620-NLA | NLA - Battery Tray Assembly, 400 Lb. Weight Limit | 1 | 1 |
| 4 | | 1108771-NLA | NLA - Battery Tray Assembly, Power Elevating Seat | 1 | 1 |
| 5 | | 1095589-NLA | NLA - Battery Strap Assembly | 1 | 2 |
| 6 | | 1095587-NLA | NLA - Strap, Black Metal Extension | 1 | 1 |
| 7 | | 7930326-NLA | NLA - Package, Screw, Hex Head (1/4-20 x 3/4") | 25 | 2 |
| 8 | | 7930333 | Locknut (1/4-20) | 25 | 2 |
| 9 | | 1095588-NLA | NLA - Tray, Battery, Black | 1 | 1 |
| 10 | F | 7930333 | Locknut (1/4-20) | 25 | 1 |
| 11 | F | 1106523-NLA | NLA - Strap, Black Metal Extension | 1 | 1 |
| 12 | | 7930326-NLA | NLA - Package, Screw, Hex Head (1/4-20 x 3/4") | 25 | 1 |
| 13 | | 1071505 | Screw, Socket w/ Patch (M6 x 1 x 20mm) | 1 | 2 |
| 14 | | 1071504-NLA | NLA - Screw, Socket w/ Patch (M6 x 1 x 35mm) | 1 | 3 |
| | A | 1089385 | Fuse, MIDI (Non-G/B & G/B) (80 AMP) | 1 | 1 |
| | A,B,G | 1060318-NLA | NLA - Hardware, Battery Terminal, UI Batteries (Pair) | 2 | 1 |
| | A,C | 1058618-NLA | NLA - Hardware, Battery Terminal, 22NF Batteries (Pair) | 2 | 1 |

NOTE: A - Not Shown
 B - It is recommended that new terminal hardware be ordered when a new box top is ordered.
 C - Hardware includes small battery terminal caps (gray and orange), 1/4-20 x 7/8" hex flange screws, 1/4-20 hex flange nuts, cable ties and locking tab washers for two batteries.
 E - Part numbers 1057954 and 1041433 are available for individual sale.
 F - For Power Elevating Seat
 G - 250-S Models