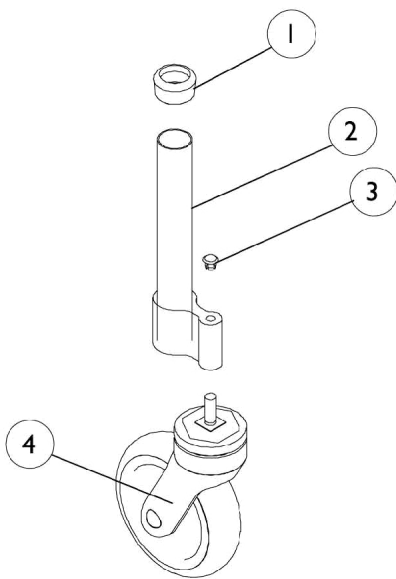
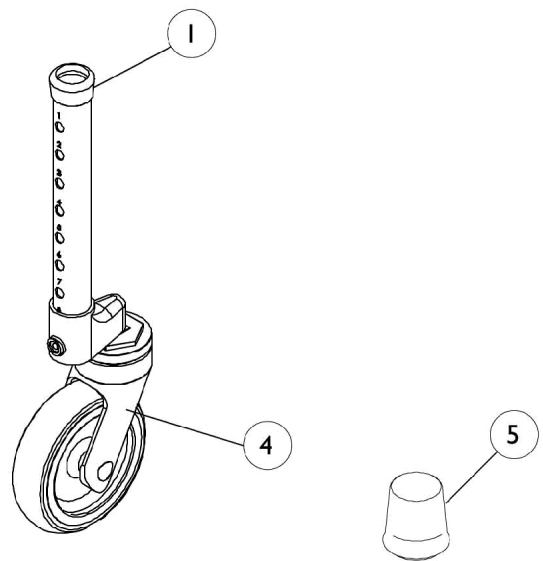


Swivel Wheel Attachments

Model 65100 - 5" Wheel



**Model 6267 - 5" Wheel
Model 6273 - 3" Wheel**



Attachments Sold in Pairs Single Side Shown

Swivel Wheel Attachments

Item Number	Note	Part Number	Description	Quantity Per	
				Package	Assembly
1		1040655	Anti-Rattle, Grey (1-1/8")	1	4
1	A	1063124	Anti-Rattle, Grey (1-1/8")	1	2
2		1107785-NLA	NLA - Extension, Leg	1	2
3		1109139	Plug, Black	1	2
4	B,F	1039469-NLA	NLA - Caster Assembly, Swivel (3")	1	2
4	G	1123541-NLA	NLA - Caster Assembly, Swivel (3")	1	2
4		1044509-NLA	NLA - Caster, Swivel (5")	1	2
4	H	1123542	Caster Assembly, Swivel (5")	1	2
5	E	6280	Package, Tip Glide, Grey (1-1/8")	24	2
5	I	1041531-NLA	NLA - Tip, Glide, Grey (1-1/8")	1	2
5		1130781	Kit, Glide Tips	10	1
	C,D	1039493-NLA	NLA - Adapter, Bushing - Right	1	1
	C,D	1039494-NLA	NLA - Adapter, Bushing - Left	1	1
	C,D	1040984-NLA	NLA - Label - Right	1	1
	C,D	1040985-NLA	NLA - Label - Left	1	1
	C,D	21243X000-NLA	NLA - Screw, Phillips Pan Head (#6-20 x 3/8")	1	2

NOTE: A - To be used on Model 65100.
 B - Due to style change, when replacing 3" Wheel "Before 11/5/00" order in pairs.
 C - Before 8/99.
 D - Not Shown.
 E - Includes Instruction Sheet.
 F - Item no longer available, refer to Part #1123541.
 G - Replaces Part #1039469.
 H - Replaces Part #1044509.
 I - Individual item no longer available, refer to Kit Part #1130781.