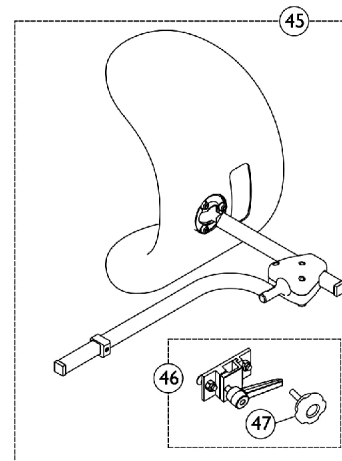
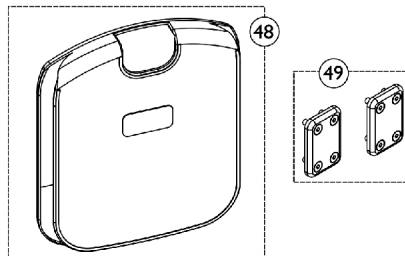
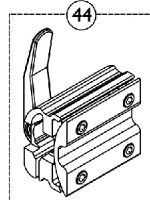
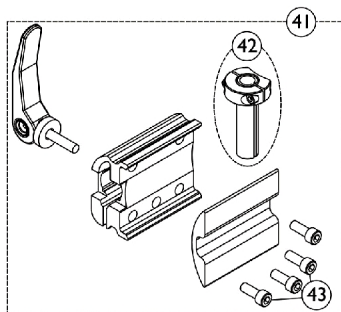
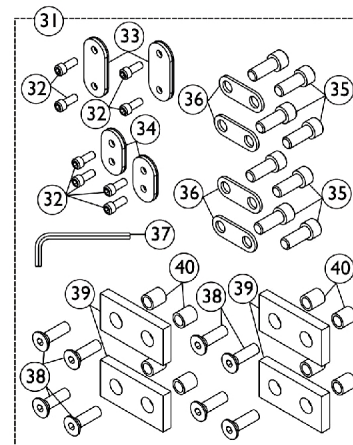
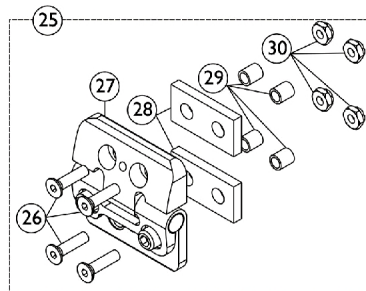
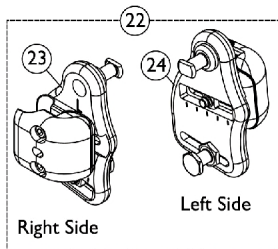
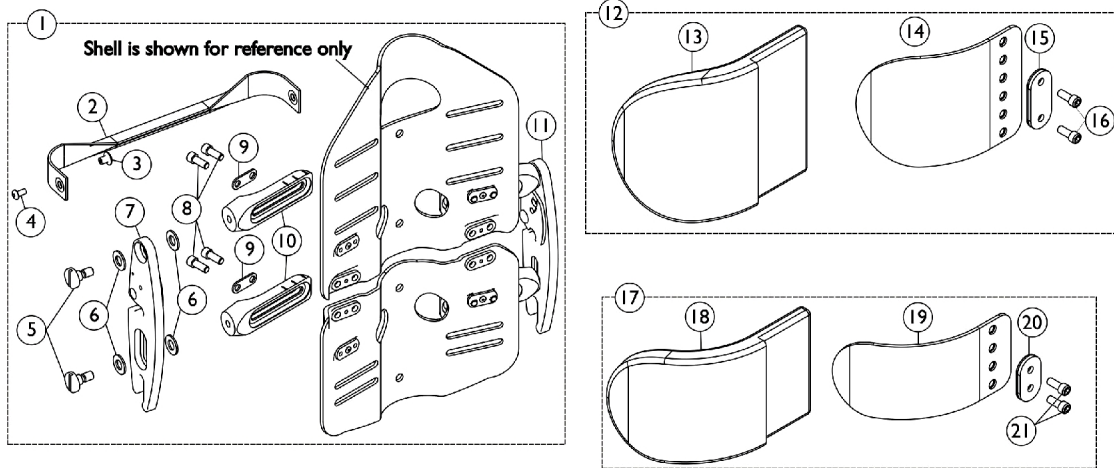


Infinity Back Hardware and Accessories - After 12/15/01

Including UniBack 10, DualFlex 10, and DualFlex Short



Infinity Back Hardware and Accessories - After 12/15/01

Including UniBack 10, DualFlex 10, and DualFlex Short

Item Number	Note	Part Number	Description	Quantity Per	
				Package	Assembly
1	B,G,M	1110437-NLA	NLA - Kit, Back Hardware - Small	1	1
2			Pull Strap Assembly, Small	1	1
3			Rivnut (#10-32)	1	2
4			NLA - Screw, Socket Button Head (#10-32 x 3/8")	1	2
5			NLA - Screw, Shoulder Slotted Head (3/8 x 5/16", 5/16-18)	1	4
6			NLA - Washer, Nylon (3/8 x 3/4 x 3/16")	1	8
7			Arm Bracket Assembly - Right	1	1
8			NLA - Screw, Socket Head (1/4-20 x 5/8")	1	8
9			Plate, Width Adjustment	1	4
10			Bracket, Width Adjustment	1	4
11			Arm Bracket Assembly - Left	1	1
2	L	1110438-NLA	NLA - kit, Strap with Hardware - Small	1	1
1	B,G,M	1109564-NLA	NLA - Kit, Back Hardware - Medium	1	1
2			Pull Strap Assembly, Medium	1	1
3			Rivnut (#10-32)	1	2
4			NLA - Screw, Socket Button Head (#10-32 x 3/8")	1	2
5			NLA - Screw, Shoulder Slotted Head (3/8 x 5/16", 5/16-18)	1	4
6			NLA - Washer, Nylon (3/8 x 3/4 x 3/16")	1	8
7			Arm Bracket Assembly - Right	1	1
8			NLA - Screw, Socket Head (1/4-20 x 5/8")	1	8
9			Plate, Width Adjustment	1	4
10			Bracket, Width Adjustment	1	4
11			Arm Bracket Assembly - Left	1	1
2	L	1109565-NLA	NLA - Kit, Strap with Hardware - Medium	1	1
1	B,G,M	1110439-NLA	NLA - Kit, Back Hardware - Large	1	1
2			Pull Strap Assembly, Large	1	1
3			Rivnut (#10-32)	1	2
4			NLA - Screw, Socket Button Head (#10-32 x 3/8")	1	2
5			NLA - Screw, Shoulder Slotted Head (3/8 x 5/16", 5/16-18)	1	4
6			NLA - Washer, Nylon (3/8 x 3/4 x 3/16")	1	8
7			Arm Bracket Assembly - Right	1	1
8			NLA - Screw, Socket Head (1/4-20 x 5/8")	1	8
9			Plate, Width Adjustment	1	4
10			Bracket, Width Adjustment	1	4
11			Arm Bracket Assembly - Left	1	1
2	L	1110440-NLA	NLA - Kit, Strap with Hardware - Large	1	1
12	B,H	1109566-NLA	NLA - Kits, Lateral Support Pads - Upper, Reg. or Tall (Mild Contour)	1	1
13			Cushion, Upper Lateral Support - Mild Contour	1	2
14			Bracket, Upper Lateral Support, Black - Mild Contour	1	2
15			Bracket, Upper Plate	1	2
16			NLA - Screw, Socket Head (1/4-28 x 5/8")	1	4

Infinity Back Hardware and Accessories - After 12/15/01

Including UniBack 10, DualFlex 10, and DualFlex Short

Item Number	Note	Part Number	Description	Quantity Per	
				Package	Assembly
12	B,H	1109567-NLA	NLA - Kits, Lateral Support Pads - Upper, Reg. or Tall (Max Contour)	1	1
13			Cushion, Upper Lateral Support - Maximum Contour	1	2
14			Bracket, Upper Lateral Support, Black - Maximum Contour	1	2
15			Bracket, Upper Plate	1	2
16			NLA - Screw, Socket Head (1/4-28 x 5/8")	1	4
12	A,H	1110933	Kit, Lateral Support Pads - Upper, Short (Mild Contour)	1	1
13			Cushion, Lower Lateral Support - Mild Contour	1	2
14			Bracket, Lower Lateral Support, Black - Mild Contour	1	2
15			Bracket, Upper Plate	1	2
16			NLA - Screw, Socket Head (1/4-28 x 5/8")	1	4
12	A,H	1110934	Kit, Lateral Support Pads - Upper, Short (Maximum Contour)	1	1
13			Cushion, Lower Lateral Support - Maximum Contour	1	2
14			Bracket, Lower Lateral Support, Black - Maximum Contour	1	2
15			Bracket, Upper Plate	1	2
16			NLA - Screw, Socket Head (1/4-28 x 5/8")	1	4
17	B,I	1109568-NLA	NLA - Kit, Pelvic Stabilizer Pads - Lower (Mild Contour)	1	1
18			Cushion, Lower Lateral Support - Mild Contour	1	2
19			Bracket, Lower Lateral Support, Black - Mild Contour	1	2
20			Bracket, Lower Plate, Black	1	2
21			NLA - Screw, Socket Head (1/4-28 x 5/8")	1	4
17	B,I	1109569-NLA	NLA - Kit, Pelvic Stabilizer Pads - Lower (Max Contour)	1	1
18			Cushion, Lower Lateral Support - Maximum Contour	1	2
19			Bracket, Lower Lateral Support, Black - Maximum Contour	1	2
20			Bracket, Lower Plate, Black	1	2
21			NLA - Screw, Socket Head (1/4-28 x 5/8")	1	4
22	J	1109570-NLA	NLA - Kit, Cane Clamps	1	1
23			Cane Clamp Assembly - Right	1	1
24			Cane Clamp Assembly - Left	1	1
25	K	1109936-NLA	NLA - Kit, DualFlex Hinge	1	1
26			NLA - Screw, Socket Head (#10-32 x 3/4")	1	4
27			Hinge Assembly	1	1
28			Spacer, Rubber Block	1	2
29			Spacer, Steel (13/64 x 9/32 x 5/16")	1	4
30			Locknut (#10-32)	1	4
			Key, Hex (1/8")	1	1
			Wrench, Allen (3/16")	1	1
31	B,F	1109581-NLA	NLA - Kit, Back Hardware	1	1
32			NLA - Screw, Socket Head (1/4-28 x 5/8")	1	8

Infinity Back Hardware and Accessories - After 12/15/01 Including UniBack 10, DualFlex 10, and DualFlex Short

Item Number	Note	Part Number	Description	Quantity Per	
				Package	Assembly
33			Bracket, Upper Plate	1	2
34			Bracket, Lower Plate, Black	1	2
35			NLA - Screw, Socket Head (1/4-20 x 5/8")	1	8
36			Plate, Width Adjustment	1	4
37			Wrench, Allen (3/16")	1	1
38			Screw, Socket Head (#10-32 x 5/8")	1	8
39			Spacer, Rubber Block	1	4
40			Spacer, Steel (13/64 x 9/32 x 5/16")	1	8
			Key, Hex (1/8")	1	1
41	D,P	1084665	Kit, Headrest Adaptor (Whitmyer)	1	1
42			NLA - Adapter, Headrest (Whitmyer)	1	1
43			NLA - Clamp, Universal Headrest	1	1
			NLA - Instruction Sheet, Infinity Headrest Clamp	1	1
42		1084667-NLA	NLA - Adapter, Headrest (Whitmyer)	1	1
43		1084412-NLA	NLA - Screw, Socket Head (#10-32 x 1/2")	1	4
44	P	1084666	Kit, Headrest Clamp	1	1
			NLA - Instruction Sheet, Infinity Headrest Clamp	1	1
			NLA - Clamp, Universal Headrest	1	1
45	E,N,O	1077144-NLA	NLA - Kit, Headrest - Small (HR01S)	1	1
46			Kit, Headrest Clamp, Lever Style	1	1
			NLA - Pad, Adjustable Headrest - Small (9" W x 3-1/2" H)	1	1
			Bracket Assembly, Headrest Offset, Black	1	1
			NLA - Instruction Sheet, Infinity Headrest	1	1
45	E,N,O	1077145-NLA	NLA - Kit, Headrest - Large (HR02S)	1	1
46			Kit, Headrest Clamp, Lever Style	1	1
			NLA - Pad, Adjustable Headrest, Two-Step - Large (11" W x 6" H)	1	1
			Bracket Assembly, Headrest Offset, Black	1	1
			NLA - Instruction Sheet, Infinity Headrest	1	1
45	E,N,O	1077146	Kit, Headrest - 2-Step (HR03S)	1	1
46			Kit, Headrest Clamp, Lever Style	1	1
			NLA - Headrest, Two-Step (8-1/2" W x 5-1/2" H)	1	1
			Bracket Assembly, Headrest Offset, Black	1	1
			NLA - Instruction Sheet, Infinity Headrest	1	1
45	E,N,O	1077147	Kit, Headrest - Curved (HR04S)	1	1
46			Kit, Headrest Clamp, Lever Style	1	1
			Headrest, Curved (6" W x 7" H)	1	1
			Bracket Assembly, Headrest Offset, Black	1	1
			NLA - Instruction Sheet, Infinity Headrest	1	1
47	N	1072439-NLA	NLA - Knob, Adjustment, Black (3/4" L Threads)	1	1
48		See Chart	Item #48 - Back Cushion Assembly (After 12/15/01)	1	1
49	C	1109571-NLA	NLA - Kit, Plates with Screws	1	1

Infinity Back Hardware and Accessories - After 12/15/01

Including UniBack 10, DualFlex 10, and DualFlex Short

NOTE: A - Used on DualFlex Upper Short.
 B - Used on both UniBack and DualFlex Regular or Tall.
 C - Used on UniBack.
 D - Includes: Items 42, 43 and Instruction Sheet.
 E - DualFlex backs require an additional Headrest Clamp, Item #44.
 F - Includes: Items 32-40, 1/8" Hex Key, Bag and Carton ~ which contain enough parts to connect both Upper and Lower Laterals, both the right and left sides.
 G - Includes: Items 2-11, Bag and Carton
 H - Includes: Items 13-16, 1" Hook Fastener, Bag and Carton.
 I - Includes: Items 18-21, 1" Hook Fastener, Bag and Carton.
 J - Includes: Items 23, 24 and Carton.
 K - Includes: Items 26-30, 3/16" Allen Wrench, 1/8" Hex Key, Bag and Carton.
 L - Includes: Items 2-4
 M - Only one side of items 5, 6, 8, 9, & 10 are shown in the Exploded state for drawing clarity.
 N - Item 47 Adjustment Knob was replaced with an Adjustment Lever in Headrest Clamp Kit part # 0273100. The Lever is not available as a separate part. The knob Part # 1072439 is sold separately and is interchangeable with the Lever.
 O - Part number 1079306 Instruction Sheet is no longer available from the Invacare Service Parts Department. Refer to the Invacare Website under "Product Literature Search". Enter the part number in the "Keywords" field and download a free PDF version copy.
 P - Part Number 1084380 is no longer available from the Invacare Service Parts Department. Refer to the Invacare Website under "Product Literature Search". Enter the part number in the "Keywords" field and download a free PDF version copy.

NOTE: To Mount a Back to a Chair, Items #1 (Back Hardware Kit), #22 (Cane Clamp Kit), and #31 (Back Mounting Hardware Kit) will need to be Ordered. NOTE: Individual components of the service parts KITS are non-serviceable except item #47 part number 1072439 Adjustment Knob.

Item #48 - Back Cushion Assembly (After 12/15/01)

	Short (14" High)	Regular (16" High)	Tall (19" High)
DualFlex - Small (14-16" Wide)	1109572-NLA	1109573-NLA	1109574-NLA
DualFlex - Medium (17-19" Wide)	1109575-NLA	1109576-NLA	1109577-NLA
DualFlex - Large (20-22" Wide)	1109578-NLA	1109579-NLA	1109580-NLA
UniBack - Small (14-16" Wide)	N/A	1109602-NLA	1109603-NLA
UniBack - Medium (17-19" Wide)	N/A	1109604-NLA	1109605-NLA
UniBack - Large (20-22" Wide)	N/A	1109606-NLA	1109607-NLA

NOTE: Back Cushion Assembly includes the foam and cover.