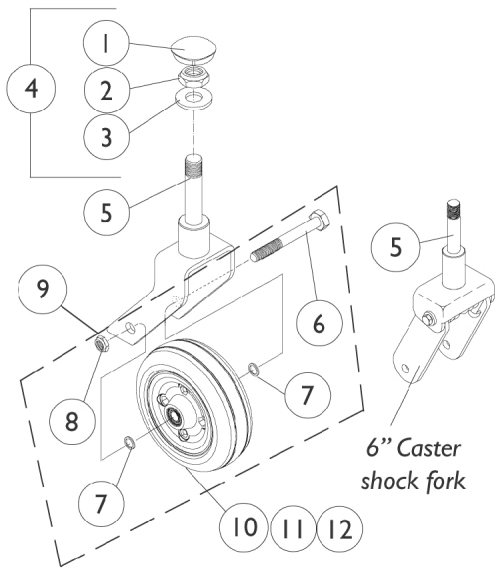
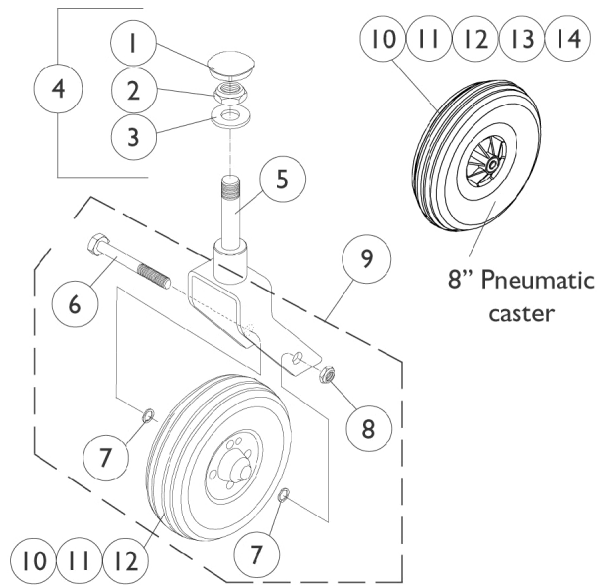


Casters, Rear and Hardware



6" Caster Assembly



8" Caster Assembly

Casters, Rear and Hardware

Item Number	Note	Part Number	Description	Quantity Per	
				Package	Assembly
1		1056739	Plug Button, Head Tube, Black	1	1
2		1028550	Locknut (5/8-18)	1	1
3		1041444	Washer, Nylon (5/8 x 1-5/16 x 1/8")	1	1
4	B	1057949	Hardware, Fork Stem	1	1
5	A	8881071460-NL A	NLA - Fork and Stem (6" Caster)	1	1
5	A	8881071600-NL A	NLA - Fork, Caster, Shock (6")	1	1
5	A	8881058562-NL A	NLA - Fork, Caster, Standard (8")	1	1
6	D	1025726	Screw, Hex Head (7/16-20 x 3-1/4")	1	1
6	E	1058744-NLA	NLA - Screw, Hex Head (7/16-20 x 3-1/2")	1	1
7		7930329	Washer, Steel (15/32 x 5/8 x 3/64")	25	2
8		7930331-NLA	NLA - Locknut (7/16-20")	25	1
9	C,D,F	1042489	Hardware, Caster Axle	1	2
9	C,E,F	1058890-NLA	NLA - Hardware, Caster, Shock Fork (Pair)	2	1
10	G	1072014-NLA	NLA - Wheel Assembly, Semi-Pneumatic, Urethane (6" x 2")	1	1
10	H	1115179	Wheel Assembly, Semi-Pneumatic, Urethane, Deep Profile, Grey Tire/Black Hub (6" x 2")	1	1
10	H	1122066	Wheel Assembly, Semi-Pneumatic, Urethane, Deep Profile, Grey Tire/Black Hub (6" x 2") (Pair)	2	1
10		1070811	Wheel Assembly, Semi-Pneumatic, Urethane, Light Grey (8" x 1-3/4")	1	1
10		1002002	Wheel Assembly w/ Bearings, Pneumatic (8" x 2")	1	1
11		1006049	Bearing (7/16")	1	2
12		1020592	Spacer, Bearing (7/16 x 5/8 x 1-3/4")	1	1
13		40176X034	Tire, Pneumatic (8" x 2")	1	1
14		1034942	Tube, Pneumatic Inner (8 x 2")	1	1

NOTE: A - Specify option color 24P wet black when ordering
 B - Includes items 1-3
 C - Includes items 6-8
 D - Standard Fork (6") and (8")
 E - Shock Fork (6")
 F - Accommodates 1 side only.
 G - Service part No Longer Available 8/15/03. Due to product improvement, order (pair) part number 1122066 dated after 8/14/03 so each side matches. The deep profile caster has 2 tread grooves w/ round corners instead of 4 tread grooves w/ square corners.
 H - Service part after 8/14/03