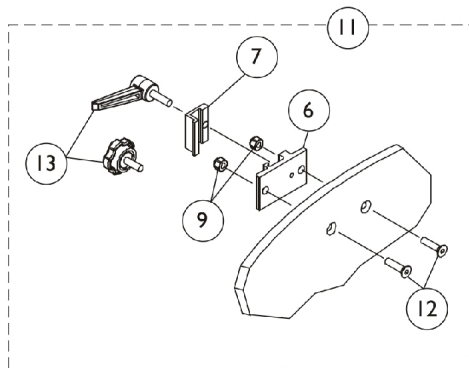
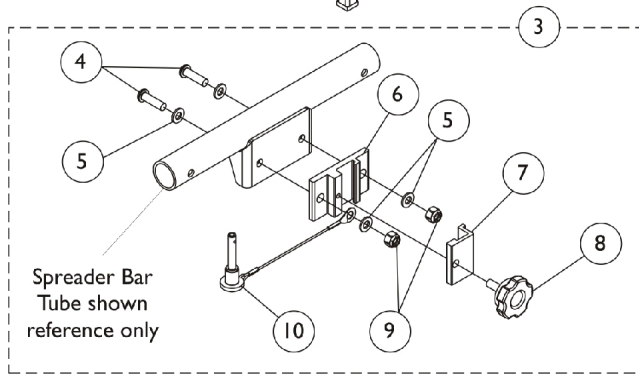
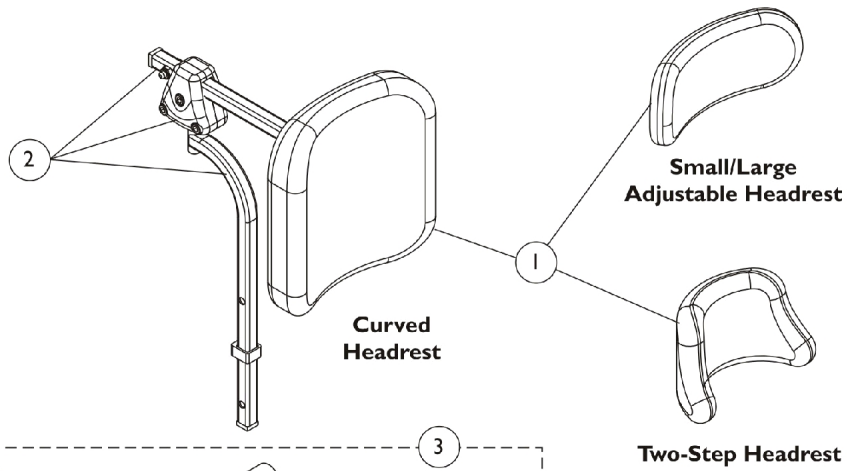


# Headrest Supports, Tarsys

## TDX SPREE with Manual Tilt Only



## Headrest Supports, Tarsys TDX SPREE with Manual Tilt Only

Item Number	Note	Part Number	Description	Quantity Per	
				Package	Assembly
1		0127700	Headrest, Curved (6" W x 7" H)	1	1
1		0022600	Kit, Headrest w/ Screws, Adjustable, Small, Otto Bock (9" W x 3-1/2" H)	1	1
1		0022400	Kit, Headrest w/ Screws, Adjustable, Large, Otto Bock (12" W x 6" H)	1	1
1		0128000-NLA	NLA - Headrest, Two-Step (8-1/2" W x 5-1/2" H)	1	1
2		1128754-NLA	NLA - Headrest Bracket Assembly, Offset	1	1
3	A	1127973	Kit, Headrest Clamp Hardware	1	1
4		1028410-NLA	NLA - Screw, Socket Button Head (1/4-20 x 7/8")	1	2
5		1026907	Washer (1/4 x 1/2 x 1/16")	1	4
6	B	0237422-NLA	NLA - Clamp, Small Bottom Half	1	1
7	B	0237522-NLA	NLA - Clamp, Small Top Half	1	1
8		1072440	Knob, Adjustment, Black (1/2" L Threads)	1	1
9		1025736	Locknut (1/4-20)	1	2
10		1128725-NLA	NLA - Pin, Quick Release with Lanyard	1	1
11	C	0273100	Kit, Headrest Clamp, Lever Style	1	1
12		0288706-NLA	NLA - Screw, Socket, Flat Head (1/4-20 x 1")	1	2
13		1072439-NLA	NLA - Knob, Adjustment, Black (3/4" L Threads)	1	1

NOTE: A - Includes items 4-10  
B - Clamp is no longer available individually. See Headrest Clamp Mounting Hardware item 3 or 11 depending on Back Style.  
C - Includes items 6, 7, 9 and 12-13. Item 13 Adjustment Knob was replaced with an Adjustment Lever. The Lever is not available as a separate part. The knob Part # 1072439 is still sold separately and is interchangeable with the Lever.