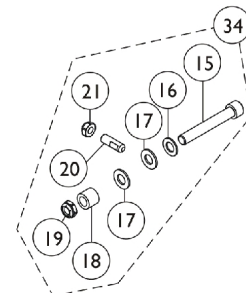
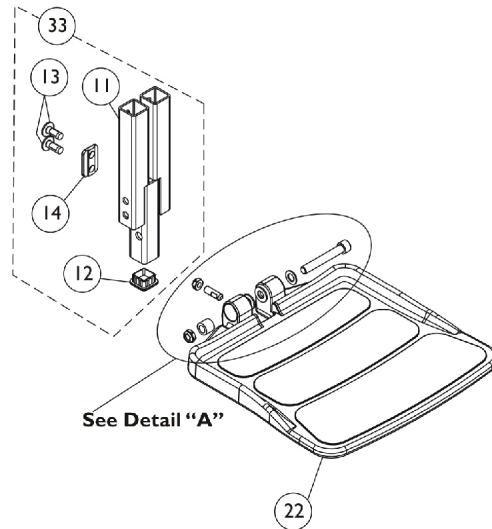
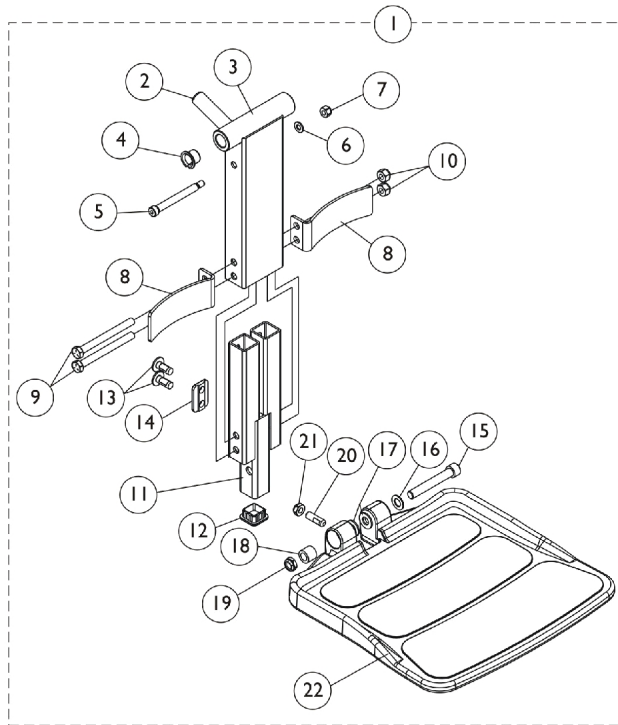
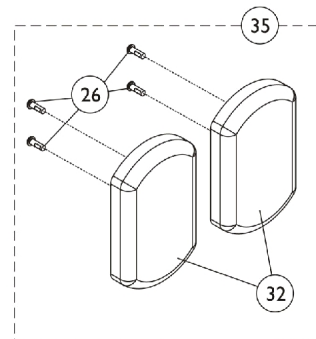
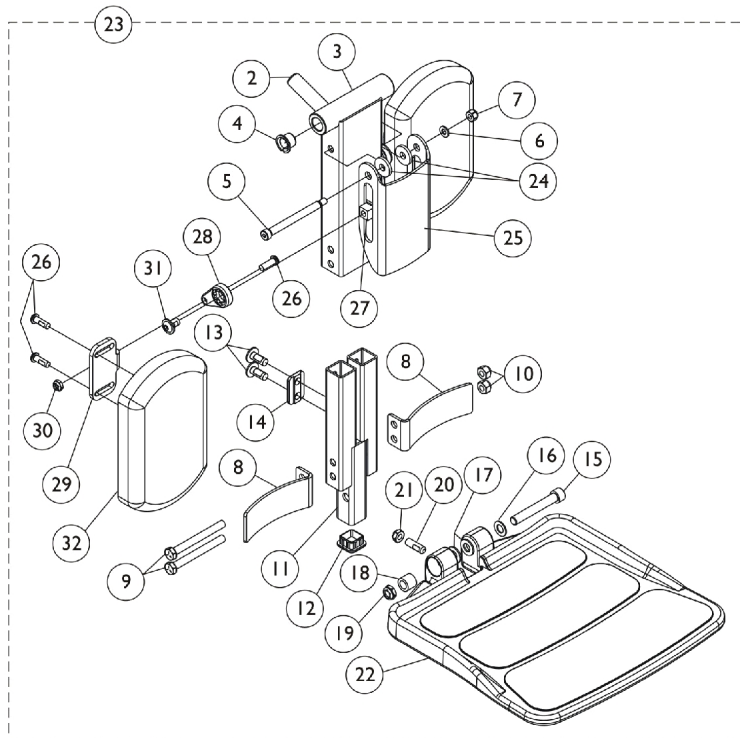


Front Rigging - Center Mount Rigging (CTMT-F with CTMTFB One PC Flip-Up Footboard) TDX SP/SP-GT/SR (CTMT-F = 11" - 15" Range)



Detail "A"
Footboard Mounting Hardware



Front Rigging - Center Mount Rigging (CTMT-F with CTMTFB One PC Flip-Up Footboard) TDX SP/SP-GT/SR (CTMT-F = 11" - 15" Range)

| Item Number | Note | Part Number | Description | Quantity Per | |
|-------------|------|-------------|--|--------------|----------|
| | | | | Package | Assembly |
| 1 | A | 1165388 | Center Mount Front Rigging w/ One PC Footboard (11" - 15" Range) | 1 | 1 |
| 2 | | | Rack, Center Mount Rigging Angle Adjustable | 1 | 1 |
| 3 | | | Support, Footrest, Center Mount, Black - Regular | 1 | 1 |
| 4 | | | Bearing, Flange (1/2 x 13/16 x 1/2") | 1 | 2 |
| 5 | | | Screw, Shoulder Hex Socket Head (5/16" x 2-1/2", 1/4-20) | 1 | 1 |
| 6 | | | Washer (1/4 x 1/2 x 1/16") | 1 | 1 |
| 7 | | | Locknut (1/4-20) | 1 | 1 |
| 8 | | | Bracket, Heel Stop, Black | 1 | 2 |
| 9 | | | NLA - Screw, Hex Head (5/16-18 x 3-1/4") | 1 | 2 |
| 10 | | | Locknut (5/16-18) | 1 | 2 |
| 11 | | | Footboard Extension Assembly, Black (11" - 15" Range) | 1 | 1 |
| 12 | | | Plug Button, Black (1" Square) | 1 | 1 |
| 13 | | | Screw, Socket, Button Head w/ Patch (5/16-18 x 3/4") | 1 | 4 |
| 14 | | | Cleat, Button Head | 1 | 2 |
| 15 | | | Screw, Socket Head (3/8-16 x 2-1/2") | 1 | 1 |
| 16 | | | Washer, Flat (3/8 x 11/16 x 1/16") | 1 | 1 |
| 17 | | | Washer, Nylon (3/8 x 3/4 x 1/16") | 1 | 2 |
| 18 | | | Bushing (3/8 x 5/8 x 1/2") | 1 | 1 |
| 19 | | | Locknut, Low Profile (3/8-16) | 1 | 1 |
| 20 | | | Screw, Set Socket Flat Point (5/16-18 x 1") | 1 | 1 |
| 21 | | | Locknut (5/16-18) | 1 | 1 |
| 22 | | | Footboard w/ Cover (11-1/4" W x 11-1/2" L) | 1 | 1 |
| 23 | B | 1165389 | Center Mount Front Rigging w/ One PC Footboard & Calf Pads (11" - 15" Range) | 1 | 1 |
| 2 | | | Rack, Center Mount Rigging Angle Adjustable | 1 | 1 |
| 3 | | | Support, Footrest, Center Mount, Black - Regular | 1 | 1 |
| 4 | | | Bearing, Flange (1/2 x 13/16 x 1/2") | 1 | 2 |
| 5 | | | Screw, Shoulder Hex Socket Head (5/16" x 3", 1/4-20) | 1 | 1 |
| 6 | | | Washer (1/4 x 1/2 x 1/16") | 1 | 1 |
| 7 | | | Locknut (1/4-20) | 1 | 1 |
| 8 | | | Bracket, Heel Stop, Black | 1 | 2 |
| 9 | | | NLA - Screw, Hex Head (5/16-18 x 3") | 1 | 2 |
| 10 | | | Locknut (5/16-18) | 1 | 2 |
| 11 | | | Footboard Extension Assembly, Black (11" - 15" Range) | 1 | 1 |
| 12 | | | Plug Button, Black (1" Square) | 1 | 1 |
| 13 | | | Screw, Socket, Button Head w/ Patch (5/16-18 x 3/4") | 1 | 4 |
| 14 | | | Cleat, Button Head | 1 | 2 |
| 15 | | | Screw, Socket Head (3/8-16 x 2-1/2") | 1 | 1 |
| 16 | | | Washer, Flat (3/8 x 11/16 x 1/16") | 1 | 1 |

Front Rigging - Center Mount Rigging (CTMT-F with CTMTFB One PC Flip-Up Footboard) TDX SP/SP-GT/SR (CTMT-F = 11" - 15" Range)

| Item Number | Note | Part Number | Description | Quantity Per | |
|-------------|------|-------------|---|--------------|----------|
| | | | | Package | Assembly |
| 17 | | | Washer, Nylon (3/8 x 3/4 x 1/16") | 1 | 2 |
| 18 | | | Bushing (3/8 x 5/8 x 1/2") | 1 | 1 |
| 19 | | | Locknut, Low Profile (3/8-16) | 1 | 1 |
| 20 | | | Screw, Set Socket Flat Point (5/16-18 x 1") | 1 | 1 |
| 21 | | | Locknut (5/16-18) | 1 | 1 |
| 22 | | | Footboard w/ Cover (11-1/4" W x 11-1/2" L) | 1 | 1 |
| 24 | | | Washer, Nylon (5/16 x 7/8 x 1/8") | 1 | 2 |
| 25 | | | Bracket, Calf Pad, Black | 1 | 1 |
| 26 | | | Screw, Socket Button Head w/ Patch (1/4-20 x 3/4") | 1 | 6 |
| 27 | | | Nut, T (5/16-18) | 1 | 2 |
| 28 | | | Adjuster, Calf Pad | 1 | 2 |
| 29 | | | Bracket, Mounting, Calf Pad | 1 | 2 |
| 30 | | | Locknut (1/4-20) | 1 | 2 |
| 31 | | | Screw, Socket, Button Head w/ Patch (5/16-18 x 1/2") | 1 | 2 |
| 32 | | | Pad, Calf (4-1/2" W x 7-1/4" L) | 1 | 2 |
| 33 | C | 1166067 | Kit, Footboard Extension Assembly (11" - 15" Range) | 1 | 1 |
| 11 | | | Footboard Extension Assembly, Black (11" - 15" Range) | 1 | 1 |
| 12 | | | Plug Button, Black (1" Square) | 1 | 1 |
| 13 | | | Screw, Socket, Button Head w/ Patch (5/16-18 x 3/4") | 1 | 4 |
| 14 | | | Cleat, Button Head | 1 | 2 |
| 34 | D | 1147134 | Kit, Footboard Mounting Hardware | 1 | 1 |
| 15 | | | Screw, Socket Head (3/8-16 x 2-1/2") | 1 | 1 |
| 16 | | | Washer, Flat (3/8 x 11/16 x 1/16") | 1 | 1 |
| 17 | | | Washer, Nylon (3/8 x 3/4 x 1/16") | 1 | 2 |
| 18 | | | Bushing (3/8 x 5/8 x 1/2") | 1 | 1 |
| 19 | | | Locknut, Low Profile (3/8-16) | 1 | 1 |
| 20 | | | Screw, Set Socket Flat Point (5/16-18 x 1") | 1 | 1 |
| 21 | | | Locknut (5/16-18) | 1 | 1 |
| 22 | | 1114311 | Footboard w/ Cover (11-1/4" W x 11-1/2" L) | 1 | 1 |
| 35 | E | 1163373 | Kit, Calf Pad (Pair) | 1 | 1 |
| 26 | | | Pad, Calf (4-1/2" W x 7-1/4" L) | 1 | 2 |
| 32 | | | Screw, Socket Button Head w/ Patch (1/4-20 x 3/4") | 1 | 4 |
| | F | 1165506 | Kit, Bracket, Calf Pad Mounting w/ Hardware | 1 | 1 |
| 5 | | | Screw, Shoulder Hex Socket Head (5/16" x 3", 1/4-20) | 1 | 1 |
| 6 | | | Washer (1/4 x 1/2 x 1/16") | 1 | 1 |
| 7 | | | Locknut (1/4-20) | 1 | 1 |
| 24 | | | Washer, Nylon (5/16 x 7/8 x 1/8") | 1 | 2 |
| 25 | | | Bracket, Calf Pad, Black | 1 | 1 |
| | G | 1165505 | Kit, Hardware, Calf Pad Adjustment | 1 | 1 |
| 26 | | | Screw, Socket Button Head w/ Patch (1/4-20 x 3/4") | 1 | 2 |

Front Rigging - Center Mount Rigging (CTMT-F with CTMTFB One PC Flip-Up Footboard) TDX SP/SP-GT/SR (CTMT-F = 11" - 15" Range)

| Item Number | Note | Part Number | Description | Quantity Per | |
|---|------|-------------|--|--------------|----------|
| | | | | Package | Assembly |
| 27 | | | Nut, T (5/16-18) | 1 | 2 |
| 28 | | | Adjuster, Calf Pad | 1 | 2 |
| 29 | | | Bracket, Mounting, Calf Pad | 1 | 2 |
| 30 | | | Locknut (1/4-20) | 1 | 2 |
| 31 | | | Screw, Socket, Button Head w/ Patch (5/16-18 x 1/2") | 1 | 2 |
| NOTE: A - Includes items 2-22 B - Includes items 2-22 and 24-32 C - Includes items 11-14 D - Includes items 15-21 E - Includes items 26 and 32 F - Not shown. Includes items 5-7, 24 and 25 G - Not shown. Includes items 26-31 | | | | | |