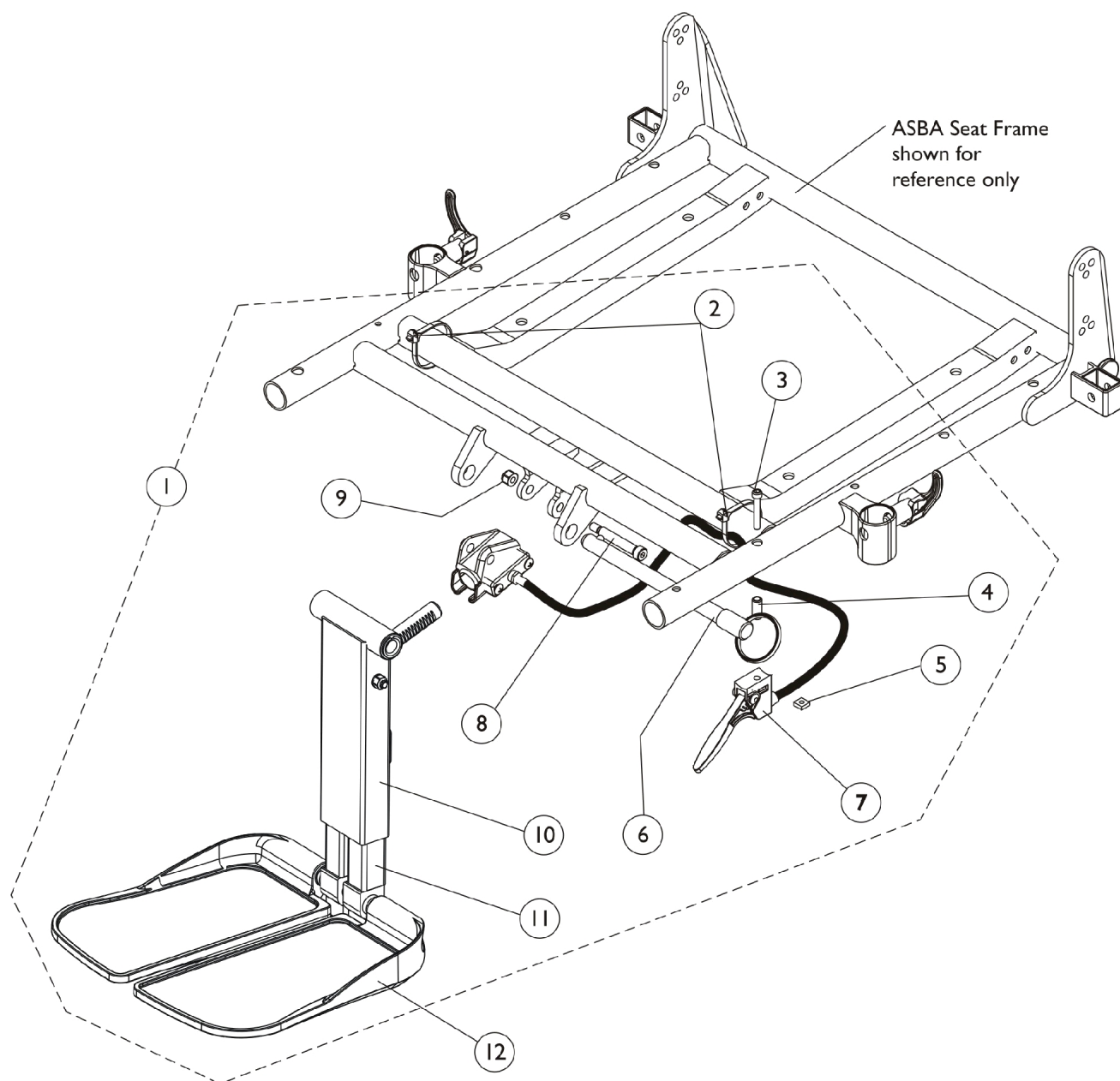


# Front Rigging - Center Mount Rigging Kit (CTMT/CTMT-L) Elevate Only For ASBA Seats (Before 12/10/08)

For exploded assembly views of non-adjustable width footplate hardware (Before 12/1/10) refer to category titled, "Center Mount Rigging (CTMT-J/CTMT-FJ/CTMT/CTMT-F/CTMT-L/CTMT-FL) - After 12/09/08".



# Front Rigging - Center Mount Rigging Kit (CTMT/CTMT-L) Elevate Only For ASBA Seats (Before 12/10/08)

For exploded assembly views of non-adjustable width footplate hardware (Before 12/1/10) refer to category titled, "Center Mount Rigging (CTMT-J/CTMT-FJ/CTMT/CTMT-F/CTMT-L/CTMT-FL) - After 12/09/08".

Item Number	Note	Part Number	Description	Quantity Per	
				Package	Assembly
1	B,C	1121009-NLA	NLA - Kit, Adjustable Length Center Mount Rigging (11"-15" Range)	1	1
1	A,B,C	1121010-NLA	NLA - Kit, Adjustable Length Center Mount Rigging (14"-18" Range)	1	1
2		98007X005	Tie Wrap (11-1/2" L)	1	2
3		1028513-NLA	NLA - Screw, Socket Head (#10-32 x 1-1/4")	1	1
4		1113236-NLA	NLA - Spacer (3/16 x 5/16 x 3/4")	1	1
5		1086207	Nut, Square (#10-32)	1	1
6		1113375-NLA	NLA - Pin, Quick Release (5" Long)	1	1
7		1121079	Cable/Brake Assembly w/ Ratchet Housing and Glide Bearing	1	1
8		1071736	Screw, Shoulder Hex Socket Head (5/16" x 1-5/8", 1/4-20)	1	1
9		1025736	Locknut (1/4-20)	1	1
	D	1118368	Instruction Sheet, Center Mount Rigging Kit	1	1
10		1117262	Kit, Center Mount Front Rigging (CTMT) (CTMT-F), ASBA/ADJASBA (11" - 15" Range)	1	1
			Rack, Center Mount Rigging Angle Adjustable	1	1
			Support, Footrest, Center Mount, Black - Regular	1	1
			Bearing, Flange (1/2 x 13/16 x 1/2")	1	2
			Cleat, Button Head	1	2
			Screw, Socket, Button Head w/ Patch (5/16-18 x 3/4")	1	6
			Tube, Extension, Footrest, Medium, Black - Right	1	1
			Tube, Extension, Footrest, Medium, Black - Left	1	1
			Screw, Shoulder Hex Socket Head (5/16" x 2-1/2", 1/4-20)	1	1
			Washer (1/4 x 1/2 x 1/16")	1	1
			Locknut (1/4-20)	1	1
			NLA - Washer, Wave (17/32 x 3/4 x 1/64")	1	2
			Screw, Socket Button Head (1/4-20 x 1-1/2")	1	2
			Washer, Nylon (5/16 x 11/16 x 1/16")	1	2
			Washer (1/2 x 7/8 x 3/64")	1	2
			Spacer, Nylon (1/2 x 3/4 x 1/4")	1	8
10		1117263	Kit, Center Mount Front Rigging (CTMT-L) (CTMT-FL), ASBA/ADJASBA (14" - 18" Range)	1	1
			Rack, Center Mount Rigging Angle Adjustable	1	1
			Support, Footrest, Center Mount, Black - Regular	1	1
			Bearing, Flange (1/2 x 13/16 x 1/2")	1	2
			Cleat, Button Head	1	2
			Screw, Socket, Button Head w/ Patch (5/16-18 x 3/4")	1	6
			Tube, Extension, Footrest, Long, Black - Right	1	1
			Tube, Extension, Footrest, Long, Black - Left	1	1

# Front Rigging - Center Mount Rigging Kit (CTMT/CTMT-L) Elevate Only For ASBA Seats (Before 12/10/08)

For exploded assembly views of non-adjustable width footplate hardware (Before 12/1/10) refer to category titled, "Center Mount Rigging (CTMT-J/CTMT-FJ/CTMT/CTMT-F/CTMT-L/CTMT-FL) - After 12/09/08".

Item Number	Note	Part Number	Description	Quantity Per	
				Package	Assembly
			Screw, Shoulder Hex Socket Head (5/16" x 2-1/2", 1/4-20)	1	1
			Washer (1/4 x 1/2 x 1/16")	1	1
			Locknut (1/4-20)	1	1
			NLA - Washer, Wave (17/32 x 3/4 x 1/64")	1	2
			Screw, Socket Button Head (1/4-20 x 1-1/2")	1	2
			Washer, Nylon (5/16 x 11/16 x 1/16")	1	2
			Washer (1/2 x 7/8 x 3/64")	1	2
			Spacer, Nylon (1/2 x 3/4 x 1/4")	1	8
11		See Chart	#11 Extension Tube Kits After 12/14/10	1	1
12		See Chart	#12 Footplate Kits After 12/14/10	1	1
NOTE: A - Not available for low seat-to-floor models. B - Includes items 2-11 and instruction sheet. C - As of 12/15/10 item #10 was revised to accommodate adjustable width footplate hardware. If footplates are needed see item #12. D - Not Shown.					

# Front Rigging - Center Mount Rigging Kit (CTMT/CTMT-L) Elevate Only For ASBA Seats (Before 12/10/08)

For exploded assembly views of non-adjustable width footplate hardware (Before 12/1/10) refer to category titled, "Center Mount Rigging (CTMT-J/CTMT-FJ/CTMT/CTMT-F/CTMT-L/CTMT-FL) - After 12/09/08".

## #11 Extension Tube Kits After 12/14/10

Front Rigging Side	Medium 11" - 15" Range	Long 14" - 18" Range
Right	1170679 See Note(s) A	1170681 See Note(s) A
Left	1170680 See Note(s) A	1170682 See Note(s) A

NOTE: A - The Extension Tube Kits are used for adjustable width footplate hardware only.

## #12 Footplate Kits After 12/14/10

Footplate Side	Small 5-1/4" W x 7-1/2" L	Medium 5-1/2" W x 9-1/2" L	Large 5-7/8" W x 11-1/2" L
Right	1170683 See Note(s) A	1170685 See Note(s) A	1170687 See Note(s) A
Left	1170684 See Note(s) A	1170686 See Note(s) A	1170688 See Note(s) A

NOTE: A - The footplate mounting hardware included is for adjustable width only.