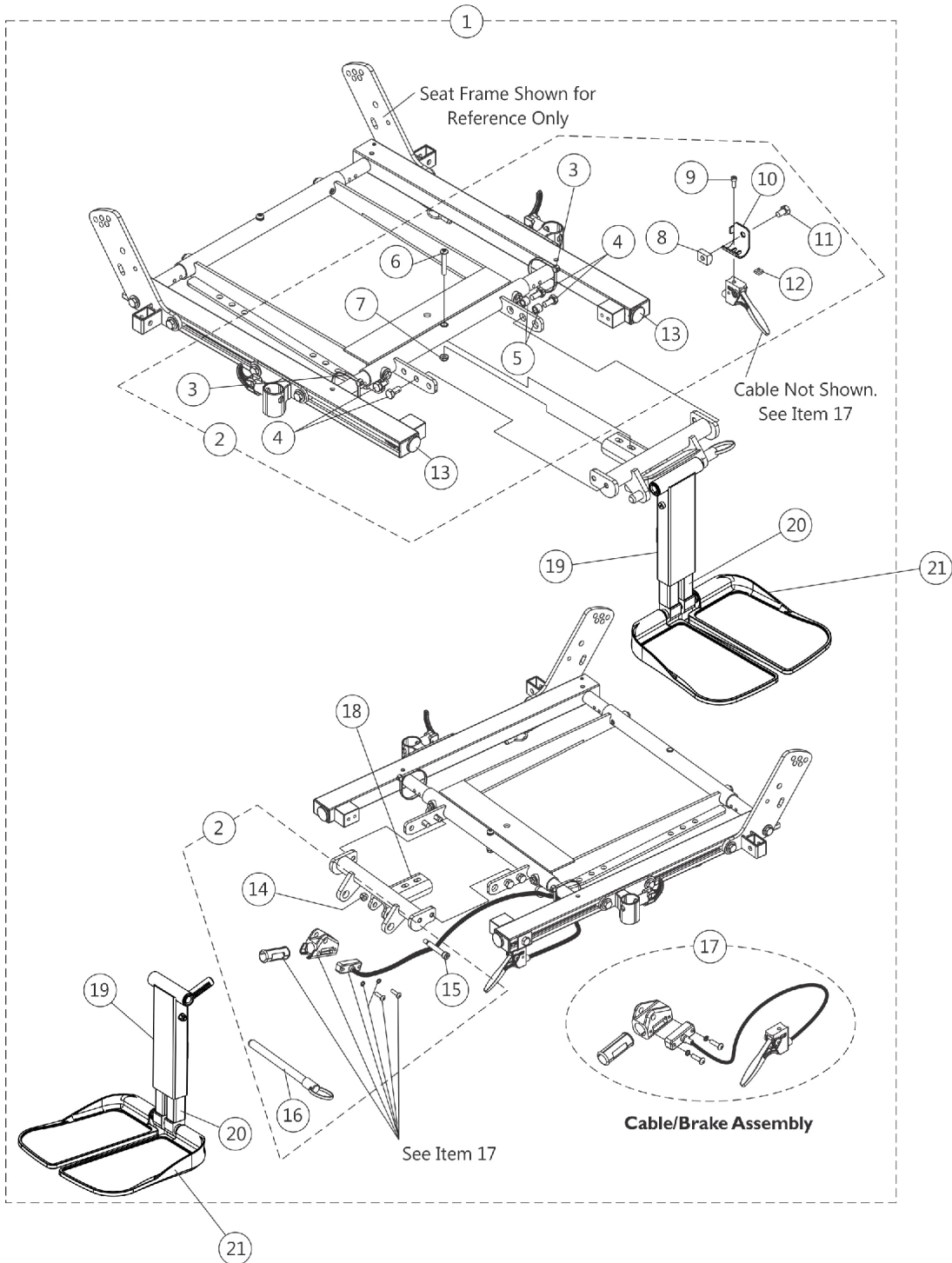


# Center Mount Rigging Kit CTMT-FJ, CTMT-F/CTMT-FL

(TDX After 7/4/05) (M71 After 8/7/05) (M91 After 10/3/05) thru 12/09/08

For exploded assembly views of non-adjustable width footplate hardware (Before 12/15/10) refer to category titled, "Center Mount Rigging (CTMT-J/CTMT-FJ/CTMT/CTMT-F/CTMT-L/CTMT-FL) - After 12/09/08".



# Center Mount Rigging Kit CTMT-FJ, CTMT-F/CTMT-FL

**(TDX After 7/4/05) (M71 After 8/7/05) (M91 After 10/3/05) thru 12/09/08**

For exploded assembly views of non-adjustable width footplate hardware (Before 12/15/10) refer to category titled, "Center Mount Rigging (CTMT-J/CTMT-FJ/CTMT/CTMT-F/CTMT-L/CTMT-FL) - After 12/09/08".

Item Number	Note	Part Number	Description	Quantity Per	
				Package	Assembly
1	A,C	1129453-NLA	NLA - Kit, Center Mount Rigging (CTMT-F 11"-15" Range & 16"-19" Seat Depths)	1	1
1	A,C	1129454-NLA	NLA - Kit, Center Mount Rigging (CTMT-FL 14"-18" Range & 16"-19" Seat Depths)	1	1
1	A,C	1129455-NLA	NLA - Kit, Center Mount Rigging (CTMT-FJ 9-1/2"-11" Range & 16"-19" Seat Depths)	1	1
1	A,C	1134118-NLA	NLA - Kit, Center Mount Rigging (CTMT-F 11"-15" Range & 19"-22" Seat Depths)	1	1
1	A,C	1134119-NLA	NLA - Kit, Center Mount Rigging (CTMT-FL 14"-18" Range & 19"-22" Seat Depths)	1	1
1	A,C	1134120-NLA	NLA - Kit, Center Mount Rigging (CTMT-FJ 9-1/2"-11" Range & 19"-22" Seat Depths)	1	1
2	B	1129451-NLA	NLA - Kit, CTMT-F/CTMT-FL/CTMT-FJ Center Mount Riggings Mounting Hardware	1	1
3			Tie Wrap (11-1/2" L)	1	2
4			Screw, Hex Head w/ Patch (5/16-18 x 5/8")	1	4
5			Spacer (5/16 x 7/16 x 3/8")	1	2
6			Screw, Socket Button Head (1/4-20 x 1-1/2")	1	1
7			Locknut (1/4-20)	1	1
8			T-Nut (5/16-18)	1	1
9			NLA - Screw, Socket Head (#10-32 x 1/2")	1	1
10			Bracket, Release Handle Mounting, Black	1	1
11			NLA - Screw, Hex Head w/ Patch (5/16-18 x 1/2")	1	1
12			Nut, Square (#10-32)	1	1
13			Plug Button, Black (1")	1	2
14			Locknut (1/4-20)	1	1
15			Screw, Shoulder Hex Socket Head (5/16" x 1-5/8", 1/4-20)	1	1
16			NLA - Pin, Quick Release (5" Long)	1	1
17		1121079	Cable/Brake Assembly w/ Ratchet Housing and Glide Bearing	1	1
18		1122675	Support, Center Mount Rigging, Black (16 - 19" D)	1	1
18		1136001	Support, Center Mount Rigging, Long, Black (19 - 22" D)	1	1
	D	1129450-NLA	NLA - Instruction Sheet, Center Mount Rigging Kit For ADJASBA Seats	1	1
19		1117262	Kit, Center Mount Front Rigging (CTMT) (CTMT-F), ASBA/ADJASBA (11" - 15" Range)	1	1
			Rack, Center Mount Rigging Angle Adjustable	1	1
			Support, Footrest, Center Mount, Black - Regular	1	1
			Bearing, Flange (1/2 x 13/16 x 1/2")	1	2
			Cleat, Button Head	1	2
			Screw, Socket, Button Head w/ Patch (5/16-18 x 3/4")	1	6

# Center Mount Rigging Kit

## CTMT-FJ, CTMT-F/CTMT-FL

**(TDX After 7/4/05) (M71 After 8/7/05) (M91 After 10/3/05) thru 12/09/08**

For exploded assembly views of non-adjustable width footplate hardware (Before 12/15/10) refer to category titled, "Center Mount Rigging (CTMT-J/CTMT-FJ/CTMT/CTMT-F/CTMT-L/CTMT-FL) - After 12/09/08".

Item Number	Note	Part Number	Description	Quantity Per				
				Package	Assembly			
19		1117263	Tube, Extension, Footrest, Medium, Black - Right	1	1			
			Tube, Extension, Footrest, Medium, Black - Left	1	1			
			Screw, Shoulder Hex Socket Head (5/16" x 2-1/2", 1/4-20)	1	1			
			Washer (1/4 x 1/2 x 1/16")	1	1			
			Locknut (1/4-20)	1	1			
			NLA - Washer, Wave (17/32 x 3/4 x 1/64")	1	2			
			Screw, Socket Button Head (1/4-20 x 1-1/2")	1	2			
			Washer, Nylon (5/16 x 11/16 x 1/16")	1	2			
			Washer (1/2 x 7/8 x 3/64")	1	2			
			Spacer, Nylon (1/2 x 3/4 x 1/4")	1	8			
			Kit, Center Mount Front Rigging (CTMT-L) (CTMT-FL), ASBA/ADJASBA (14" - 18" Range)	1	1			
			Rack, Center Mount Rigging Angle Adjustable	1	1			
			Support, Footrest, Center Mount, Black - Regular	1	1			
			Bearing, Flange (1/2 x 13/16 x 1/2")	1	2			
			Cleat, Button Head	1	2			
			Screw, Socket, Button Head w/ Patch (5/16-18 x 3/4")	1	6			
			Tube, Extension, Footrest, Long, Black - Right	1	1			
			Tube, Extension, Footrest, Long, Black - Left	1	1			
			19		1121990	Screw, Shoulder Hex Socket Head (5/16" x 2-1/2", 1/4-20)	1	1
						Washer (1/4 x 1/2 x 1/16")	1	1
Locknut (1/4-20)	1	1						
NLA - Washer, Wave (17/32 x 3/4 x 1/64")	1	2						
Screw, Socket Button Head (1/4-20 x 1-1/2")	1	2						
Washer, Nylon (5/16 x 11/16 x 1/16")	1	2						
Washer (1/2 x 7/8 x 3/64")	1	2						
Spacer, Nylon (1/2 x 3/4 x 1/4")	1	8						
Kit, Center Mount Front Rigging, Junior (CTMTJ/CTMT-FJ) ASBA/ADJASBA (9-1/2" - 11" Range)	1	1						
Rack, Center Mount Rigging Angle Adjustable	1	1						
Support, Footrest, Center Mount, Black - Short	1	1						
Bearing, Flange (1/2 x 13/16 x 1/2")	1	2						
Cleat, Button Head	1	2						
Screw, Socket, Button Head w/ Patch (5/16-18 x 3/4")	1	6						
Tube, Extension, Footrest, Short, Black - Right	1	1						
Tube, Extension, Footrest, Short, Black - Left	1	1						
Screw, Shoulder Hex Socket Head (5/16" x 2-1/2", 1/4-20)	1	1						

# Center Mount Rigging Kit CTMT-FJ, CTMT-F/CTMT-FL

**(TDX After 7/4/05) (M71 After 8/7/05) (M91 After 10/3/05) thru 12/09/08**

For exploded assembly views of non-adjustable width footplate hardware (Before 12/15/10) refer to category titled, "Center Mount Rigging (CTMT-J/CTMT-FJ/CTMT/CTMT-F/CTMT-L/CTMT-FL) - After 12/09/08".

Item Number	Note	Part Number	Description	Quantity Per	
				Package	Assembly
			Washer (1/4 x 1/2 x 1/16")	1	1
			Locknut (1/4-20)	1	1
			NLA - Washer, Wave (17/32 x 3/4 x 1/64")	1	2
			Screw, Socket Button Head (1/4-20 x 1-1/2")	1	2
			Washer, Nylon (5/16 x 11/16 x 1/16")	1	2
			Washer (1/2 x 7/8 x 3/64")	1	2
			Spacer, Nylon (1/2 x 3/4 x 1/4")	1	8
20		See Chart	#20 Extension Tube Kits After 12/14/10	1	1
21		See Chart	#21 Footplate Kits After 12/14/10	1	1
NOTE: A - Includes items 1, 2, 17-20 and the Instruction Sheet B - Includes items 3-16 C - As of 12/15/10 item #19 was revised to accommodate adjustable width footplate hardware. If footplates are needed see item #21. D - Not Shown					

## #20 Extension Tube Kits After 12/14/10

Front Rigging Side	Short 9-1/2" - 11" Range	Medium 11" - 15" Range	Long 14" - 18" Range
Right	1170677 See Note(s) A	1170679 See Note(s) A	1170681 See Note(s) A
Left	1170678 See Note(s) A	1170680 See Note(s) A	1170682 See Note(s) A
NOTE: A - The Extension Tube Kits are used for adjustable width footplate hardware only.			

## #21 Footplate Kits After 12/14/10

Footplate Side	Small 5-1/4" W x 7-1/2" L	Medium 5-1/2" W x 9-1/2" L	Large 5-7/8" W x 11-1/2" L
Right	1170683 See Note(s) A	1170685 See Note(s) A	1170687 See Note(s) A
Left	1170684 See Note(s) A	1170686 See Note(s) A	1170688 See Note(s) A
NOTE: A - The footplate mounting hardware included is for adjustable width only.			