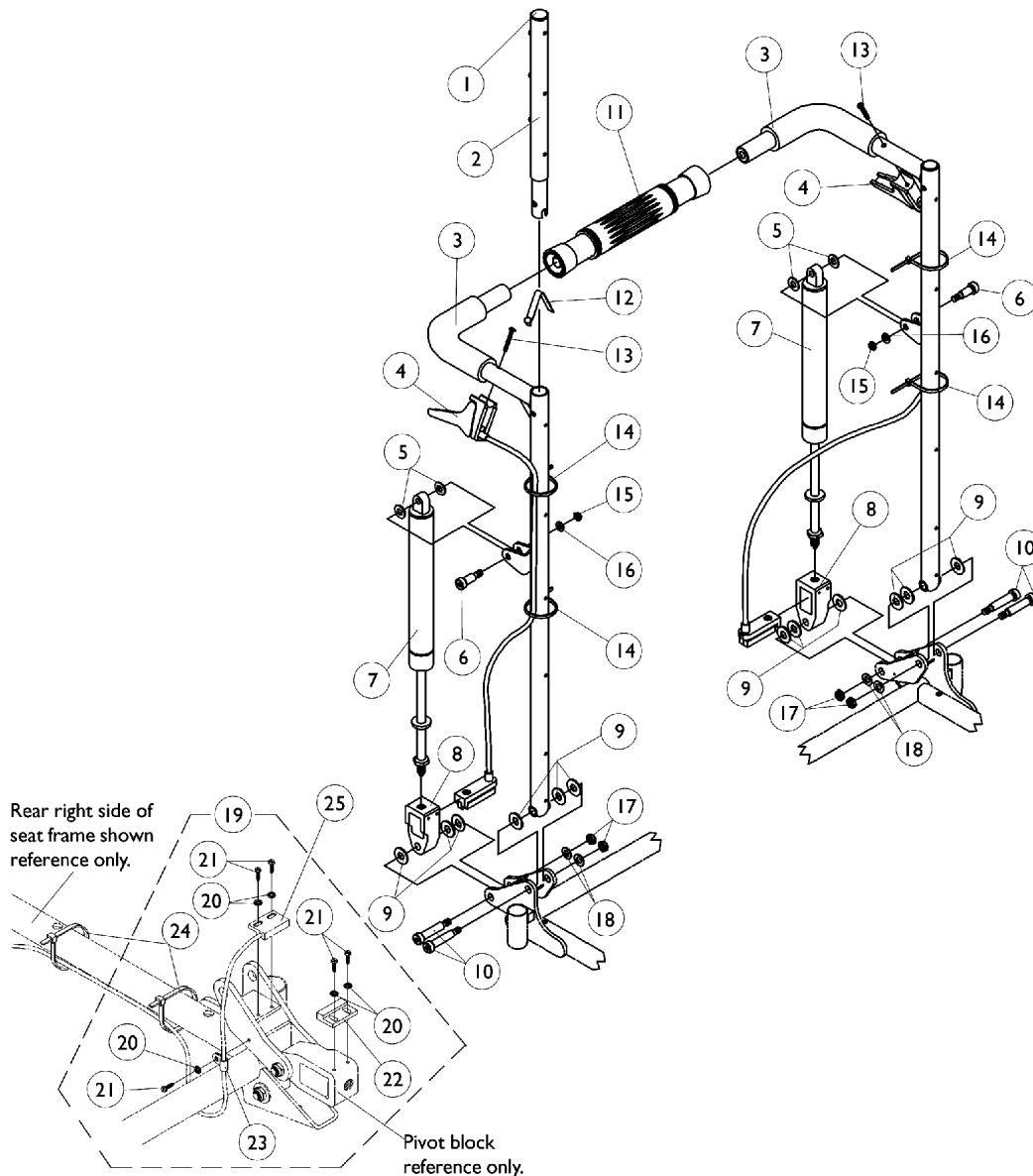


Recliner Back Assembly

- NOTE:** When converting a non-recliner to a manual recliner, consider the following:
- 1) RII controller w/ dual power connectors and a sensor cable must be used together.
 - 2) MKIV Quad Pulse controller and a sensor cable part number must be used together.



Limit Switch Assembly
NOTE: Sensor actuator used with a recliner harness and sensor cable to serve as a drive lockout safety feature.

Recliner Back Assembly

NOTE: When converting a non-recliner to a manual recliner, consider the following:

- 1) RII controller w/ dual power connectors and a sensor cable must be used together.**
- 2) MKIV Quad Pulse controller and a sensor cable part number must be used together.**

Back Cane with Grip

Back Height	16-17" Wide Right	16-17" Wide Left	18-24" Wide Right	18-24" Wide Left
18" H	1052079	1052080	1052089	1052090
20" H	1052081	1052082	1052091	1052092
22" H	1052083	1052084	1052093	1052094
24" H	1052085	1052086	1052095	1052096
26" H	1052087	1052088	1052097	1052098

Recliner Back Assembly

NOTE: When converting a non-recliner to a manual recliner, consider the following:

1) RII controller w/ dual power connectors and a sensor cable must be used together.

2) MKIV Quad Pulse controller and a sensor cable part number must be used together.

Item Number	Note	Part Number	Description	Quantity Per	
				Package	Assembly
1		1027095	Plug Button, Black (7/8")	1	2
2		1052997-NLA	NLA - Headrest Tube Assembly, Black - Right	1	1
2		1052998-NLA	NLA - Headrest Tube Assembly, Black - Left	1	1
3	B	See Chart	Item #3 Back Cane with Grip	1	2
4	C	1050214	Cable with Trigger	1	1
4	D	1050215	Cable with Trigger	1	1
4	E	1050216	Cable with Trigger	1	1
5		1026032	Washer, Nylon (11/32 x 11/16 x 1/16")	1	4
6		1050153	Screw, Shoulder Hex Socket Head (5/16 x 7/8", 1/4-20)	1	2
7		1050154	Cylinder, Lock, Recline	1	2
7		1050306	Cylinder, Lock	1	2
8		1050136	Pivot, Block	1	2
9		1012371	Washer, Nylon (3/8 x 7/8 x 1/16")	1	2
10		1031665	Screw, Shoulder Hex Socket Head (3/8 x 1-1/2", 5/16-18)	1	2
11	F	1050293	Bar, Spreader, Black (14-20" W)	1	8
11	G	1050294	Bar, Spreader, Black (21-24" W)	1	4
12		1024713	Spring, Torsion w/ Button	1	1
13		1091417-NLA	NLA - Screw, Phillips Pan Head (#10-24 x 1-1/4")	1	2
14	A	1095503-NLA	NLA - Package, Tie Wrap (5-5/8" L)	10	1
15		7930333	Locknut (1/4-20)	25	2
16		1026907	Washer (1/4 x 1/2 x 1/16")	1	2
17		1026158	Locknut (5/16-18)	1	4
18		1025704	Washer, Flat (5/16 x 5/8 x 1/16")	1	4
19	A	1053178-NLA	NLA - Switch Assembly, Limit	1	1
20		1008525-NLA	NLA - Washer, Internal Tooth Lock (#4-40)	1	5
21		1025116-NLA	NLA - Screw, Slotted Hex Washer Head Tap (#4-3/8")	1	5
22		1024001	Sensor, Actuator Switch	1	1
23		1050310-NLA	NLA - Clamp, Cable	1	1
24		1021260	Tie Wrap (5-5/8" L)	1	2
25		1092913-NLA	NLA - Cable, Drive Lockout Sensor	1	1

NOTE: A - Includes items 20-24. Sensor cable is not included, see item 25

B - See chart titled "Back Cane with Grip".

C - 26" High Canes

D - 22-24" High Canes

E - 18 and 20" High Canes

F - 16-17" Wide

G - 18-24" Wide