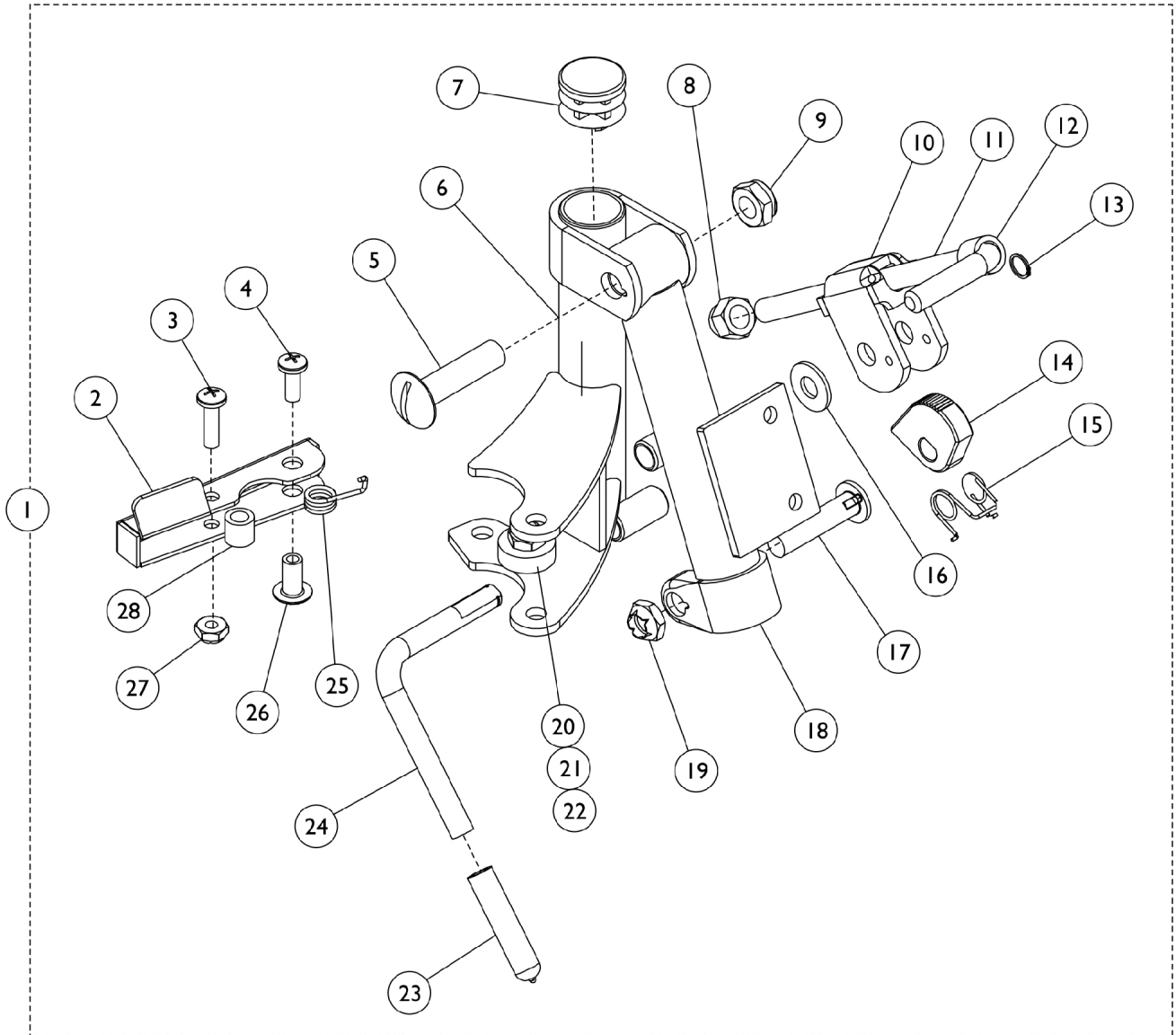


Legrest Support Assembly J934A - Black

NOTE: Front Riggings with model J934A are for 10-12" deep chairs.



Legrest Support Assembly J934A - Black

NOTE: Front Riggings with model J934A are for 10-12" deep chairs.

Item Number	Note	Part Number	Description	Quantity Per	
				Package	Assembly
1	A	1133654	Legrest Support Assembly, Black - Right	1	1
1	A	1133655	Legrest Support Assembly, Black - Left	1	1
2		1031469-NLA	NLA - Handle, Release, Black - Right	1	1
2		1031470-NLA	NLA - Handle, Release, Black - Left	1	1
3		1025716	Screw, Phillips Pan Head (#10-32 x 11/16")	1	1
4		1026114	Screw, Phillips Pan Head (#10-32 x 1/2")	1	1
5		11919X000-NLA	NLA - Screw, Slotted Truss Head (3/8-16 x 1-1/2")	1	1
6		1133650	Tube, Legrest Support, Black - Right	1	1
6		1133651	Tube, Legrest Support, Black - Left	1	1
7		1027095	Plug Button, Black (7/8")	1	1
8		10261X000	Nut, Acorn (5/16-24)	1	1
9		40363X000	Hex Nut (3/8"-16)	1	1
10		04528X002	Bracket, Release, Black	1	1
11		42326X001	Bar, Ratchet	1	1
12		47330X003	Spacer (5/16 x 1/2 x 3/8")	1	1
13		1040831	Ring, Snap	1	1
14		1037125	Cam, Legrest	1	1
15		1037485	Spring, Release	1	1
16		1013519	Washer, Nylon (5/16 x 11/16 x 1/16")	1	1
17		11232X009	Bolt, Lug (5/16-24 x 1-3/8")	1	1
18		1133652	Tube, Elevating Support, Black - Right	1	1
18		1133653	Tube, Elevating Support, Black - Left	1	1
19		1107321	Nut, Low Cap (5/16"-24)	1	1
20		1026907	Washer (1/4 x 1/2 x 1/16")	1	1
21		1100705	Washer (1/4 x 3/4 x 1/4")	1	1
22		1025195	Locknut (1/4-20)	1	1
23		1040060	Tip, Plastic, Black	1	1
24		1101031	Lever, Release - Right	1	1
24		1101032	Lever, Release - Right	1	1
25		1028707	Spring, Release - Right	1	1
25		1028708	Spring, Release - Left	1	1
26		1028846-NLA	NLA - Rivnut (#10-32)	1	1
27		1025735	Locknut (#10-32)	1	1
28		47565X057	Bushing (7/32 x 3/8 x 11/32")	1	1

NOTE: A - Includes items 2-28.