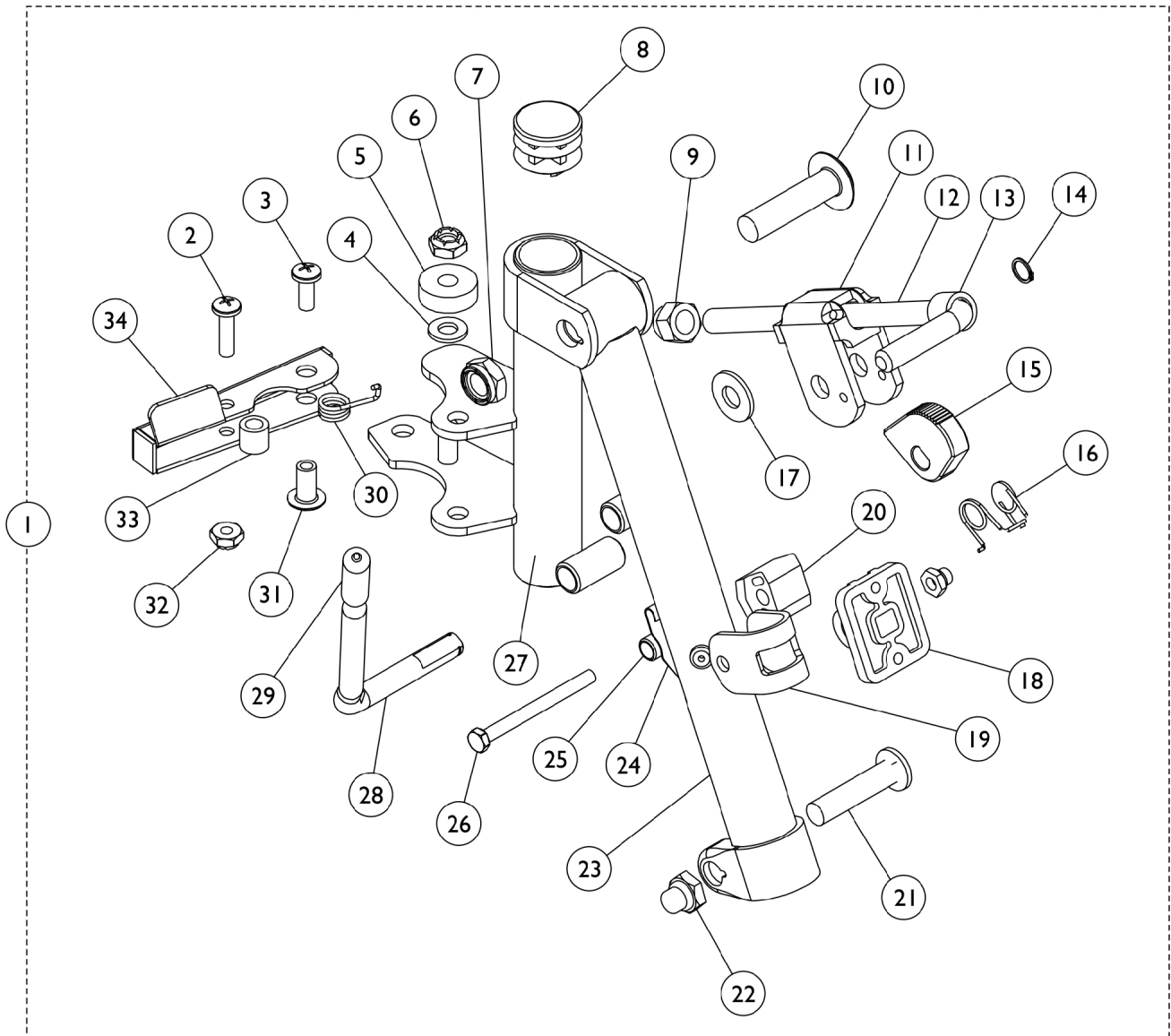


Legrest Support Assembly J934A-14 - Black



Legrest Support Assembly J934A-14 - Black

Item Number	Note	Part Number	Description	Quantity Per	
				Package	Assembly
1	A	1131383	Legrest Support Assembly, Black - Right	1	1
1	A	1131384	Legrest Support Assembly, Black - Left	1	1
2		1025716	Screw, Phillips Pan Head (#10-32 x 11/16")	1	1
3		1026114	Screw, Phillips Pan Head (#10-32 x 1/2")	1	1
4		1026907	Washer (1/4 x 1/2 x 1/16")	1	1
5		1100705	Washer (1/4 x 3/4 x 1/4")	1	1
6		1025195	Locknut (1/4-20)	1	1
7		40363X000	Hex Nut (3/8"-16)	1	1
8		1027095	Plug Button, Black (7/8")	1	1
9		10261X000	Nut, Acorn (5/16-24)	1	1
10		11919X000-NLA	NLA - Screw, Slotted Truss Head (3/8-16 x 1-1/2")	1	1
11		04528X002	Bracket, Release, Black	1	1
12		42326X001	Bar, Ratchet	1	1
13		47330X003	Spacer (5/16 x 1/2 x 3/8")	1	1
14		1040831	Ring, Snap	1	1
15		1037125	Cam, Legrest	1	1
16		1037485	Spring, Release	1	1
17		1013519	Washer, Nylon (5/16 x 11/16 x 1/16")	1	1
18		04526X019	Plate, Legrest Pad	1	1
19		1110207	Bracket, Calf Pad Mounting, Black	1	1
20		1025133	Spacer, Legrest Pad, Black	1	1
21		11232X009	Bolt, Lug (5/16-24 x 1-3/8")	1	1
22		1107321	Nut, Low Cap (5/16"-24)	1	1
23		1131379	Tube, Elevating Support, Black - Right	1	1
23		1131380	Tube, Elevating Support, Black - Left	1	1
24		48823X008	Spring, Leaf	1	1
25		47328X003	Bushing, Pivot (5/16 x 7/16 x 7/8")	1	1
26		1014807	Screw, Hex Head (5/16-24 x 3-1/4")	1	1
27		1131381	Support, Elevating Legrest, Black - Right	1	1
27		1131382	Support, Elevating Legrest, Black - Left	1	1
28		1037126	Handle, Release	1	1
29		1040060	Tip, Plastic, Black	1	1
30		1028707	Spring, Release - Right	1	1
30		1028708	Spring, Release - Left	1	1
31		1028846-NLA	NLA - Rivnut (#10-32)	1	1
32		1025735	Locknut (#10-32)	1	1
33		47565X057	Bushing (7/32 x 3/8 x 11/32")	1	1
34	B	1031469-NLA	NLA - Handle, Release, Black - Right	1	1
34	C	1031470-NLA	NLA - Handle, Release, Black - Left	1	1

NOTE: A - Includes items 2-30.
 B - For use on left elevating legrest.
 C - For use on right elevating legrest.