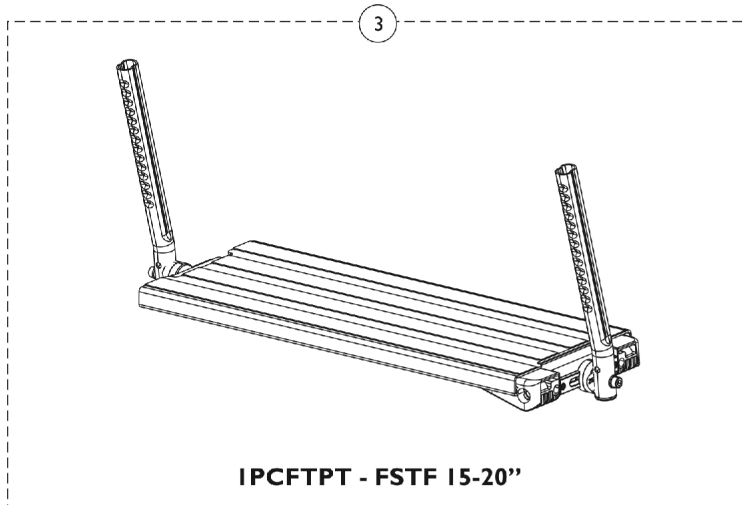
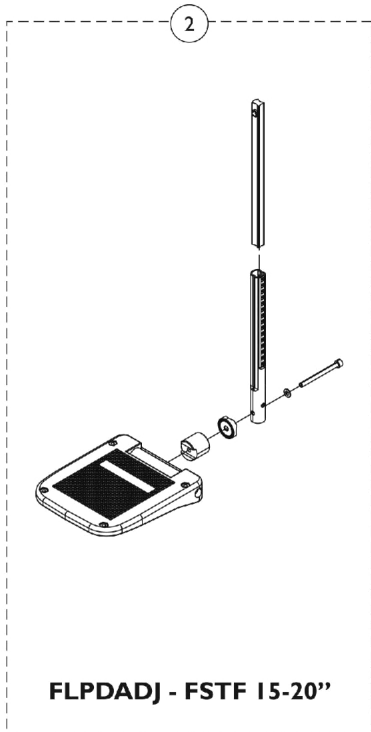
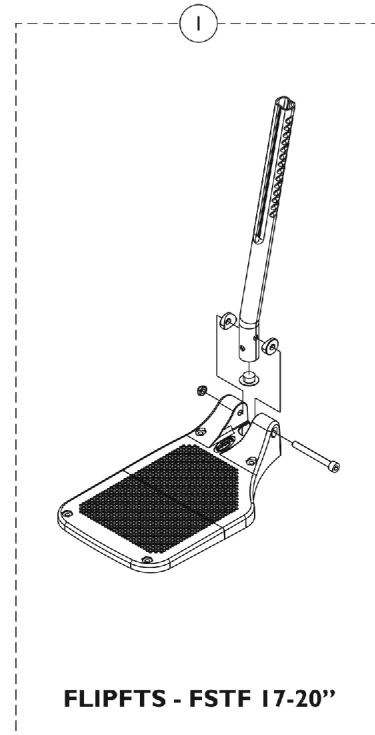
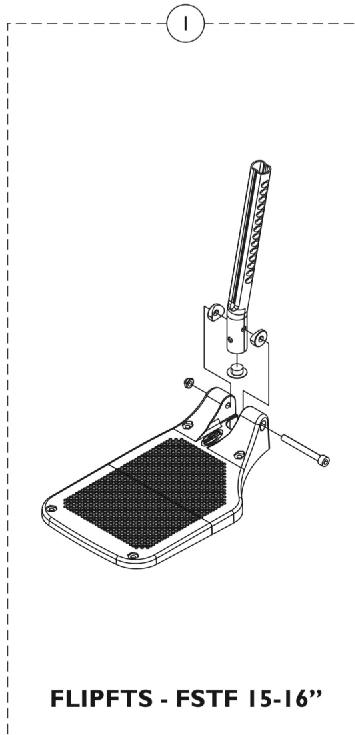
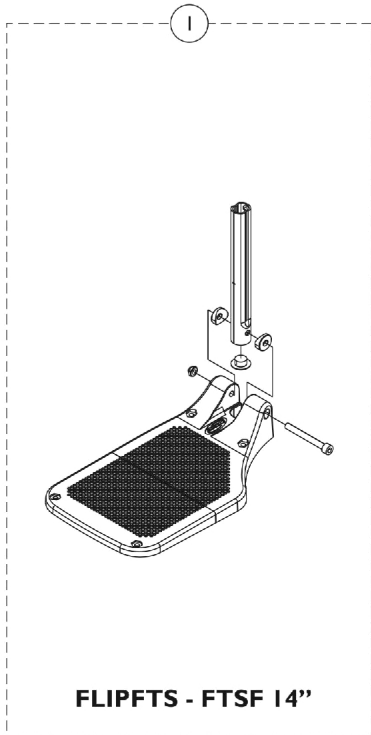


Footplate Assembly - Myon Active - Heavy Duty (FLIPFTS, FLPDADJ, and 1PCFTPT)



Footplate Assembly - Myon Active - Heavy Duty (FLIPFTS, FLPDADJ, and 1PCFTPT)

Item Number	Note	Part Number	Description	Quantity Per	
				Package	Assembly
1		See Chart	#1 Footplate Assembly, Flip Up	1	2
2		1532963	#2 Footplate Assembly, Flip Up Depth and Adjustable Angle	1	1
2		1532964	Footplate Assembly w/ Hardware, Adjustable Depth, Short - Left (20 - 24" W)	1	1
3		See Chart	#3 One Piece Footplate Assembly	1	1

#1 Footplate Assembly, Flip Up

Footplate Type	Seat to Floor Height	20" W Left	20" W Right	22 - 24" W Left	22 - 24" W Right
FLIPFTS	14"	1169123	1169124	1169137	1169138
FLIPFTS	15 - 16"	1530623	1530617	1488624	1488623
FLIPFTS	17 - 20"	1530635	1530632	1488626	1488625

#20 One Piece Footplate Assembly

Footplate Type	Seat to Floor Height	20" W (HD)	22" W (HD)	24" W (HD)
1PCFTPT	15 - 20"	1496953	1510382	1510383