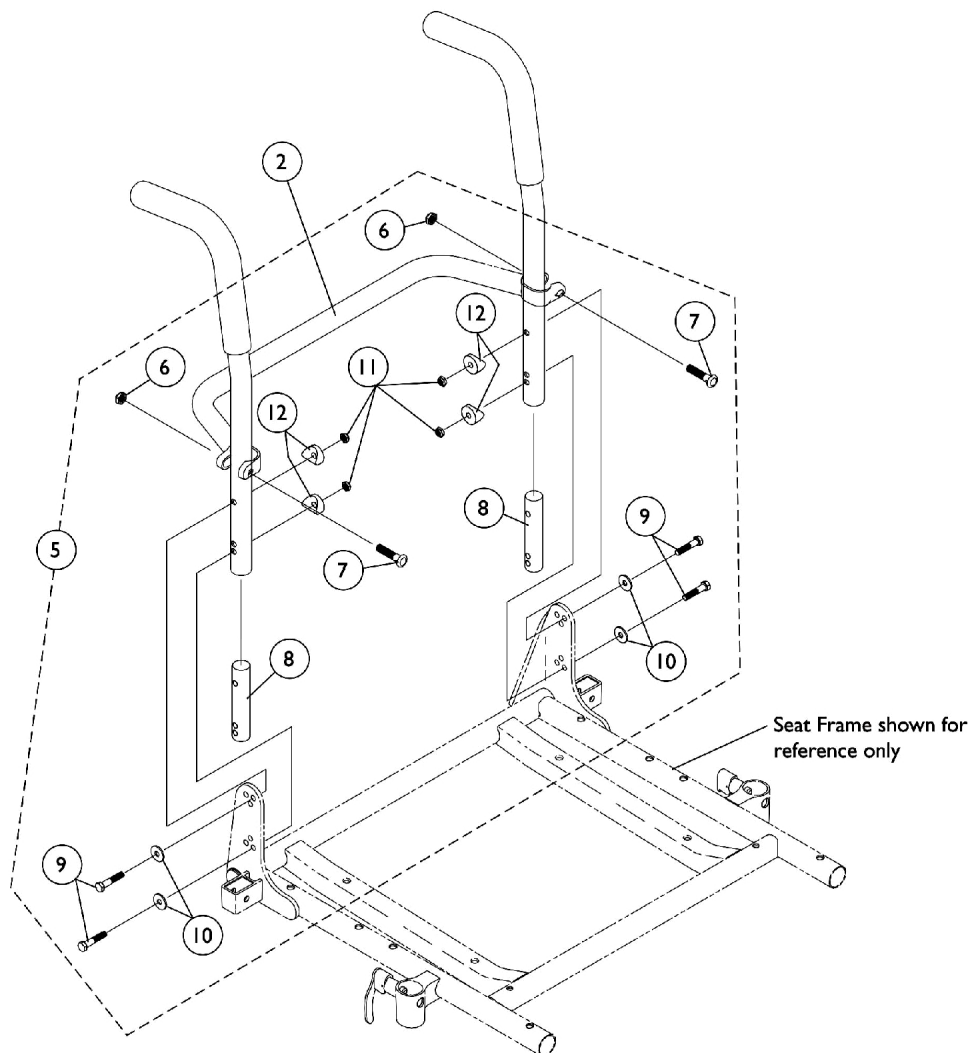
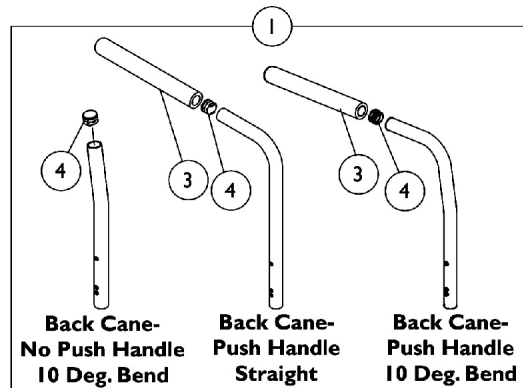


Back Canes, Spreader Bars and Attaching Hardware

NOTE: Chairs manufactured with a seat width, seat depth or back height of 20" and greater including all user weight selections (U400) will be equipped with a spreader bar standard.



Back Canes, Spreader Bars and Attaching Hardware

NOTE: Chairs manufactured with a seat width, seat depth or back height of 20" and greater including all user weight selections (U400) will be equipped with a spreader bar standard.

Item Number	Note	Part Number	Description	Quantity Per	
				Package	Assembly
1		See Chart	#1 Back Cane Assemblies	1	2
2		See Chart	#2 Spreader Bar	1	1
3		1135506	Package, Foam Hand Grip (9" L)	10	1
4		1130582	Package, Plug Button, Black (7/8")	10	1
5	A	1070457-NLA	NLA - Kit, Back Cane Attaching Hardware	2	1
6			Locknut (5/16-24)	1	2
7			Screw w/ Lug (5/16-24 x 1-3/8")	1	2
8			Insert, Non-Threaded Back Cane (For Back Heights 20" and Lower)	1	2
9			Screw, Hex Head (1/4-20 x 1-5/8")	1	4
10			Washer (1/4 x 23/32 x 1/16")	1	4
11			Locknut (1/4-20)	1	4
12			Spacer, Coved (1/4 x 11/16 x 1/2")	1	4
5	B	1070458-NLA	NLA - Kit, Back Cane Attaching Hardware	2	1
6			Locknut (5/16-24)	1	2
7			Screw w/ Lug (5/16-24 x 1-3/8")	1	2
8			NLA - Insert, Non-Threaded Back Cane (For Back Heights 21" and Higher)	1	2
9			Screw, Hex Head (1/4-20 x 1-5/8")	1	4
10			Washer (1/4 x 23/32 x 1/16")	1	4
11			Locknut (1/4-20)	1	4
12			Spacer, Coved (1/4 x 11/16 x 1/2")	1	4

NOTE: A - Includes items 6-12 and used for 16-20" high back canes
 B - Includes items 6-12 and used for 21-24" high back canes

Back Canes, Spreader Bars and Attaching Hardware

NOTE: Chairs manufactured with a seat width, seat depth or back height of 20" and greater including all user weight selections (U400) will be equipped with a spreader bar standard.

#1 Back Cane Assemblies

Back Height	Back Cane- No Push Handle 10 Deg. Bend	Back Cane- Push Handle Straight	Back Cane- Push Handle 10 Deg. Bend
16"	1048992-NLA	1048558	1045575
17"	1048993-NLA	1048559	1045576
18"	1048994-NLA	1048560	1045577
19"	1048995-NLA	1048561	1045578
20"	1048996-NLA	1048562	1045579-NLA
21"	N/A	N/A	1052227-NLA
22"	N/A	N/A	1052230
23"	N/A	N/A	1054521-NLA
24"	N/A	N/A	1054524-NLA

NOTE: Back Cane Assemblies include Foam Grips and Plug Buttons where shown

#2 Spreader Bar

Chair Width	Part Number
16"	1043873
17"	1043874
18"	1043875
19"	1043876
20"	1043877
21"	1043878-NLA
22"	1043879-NLA
23"	1043880-NLA
24"	1043881-NLA