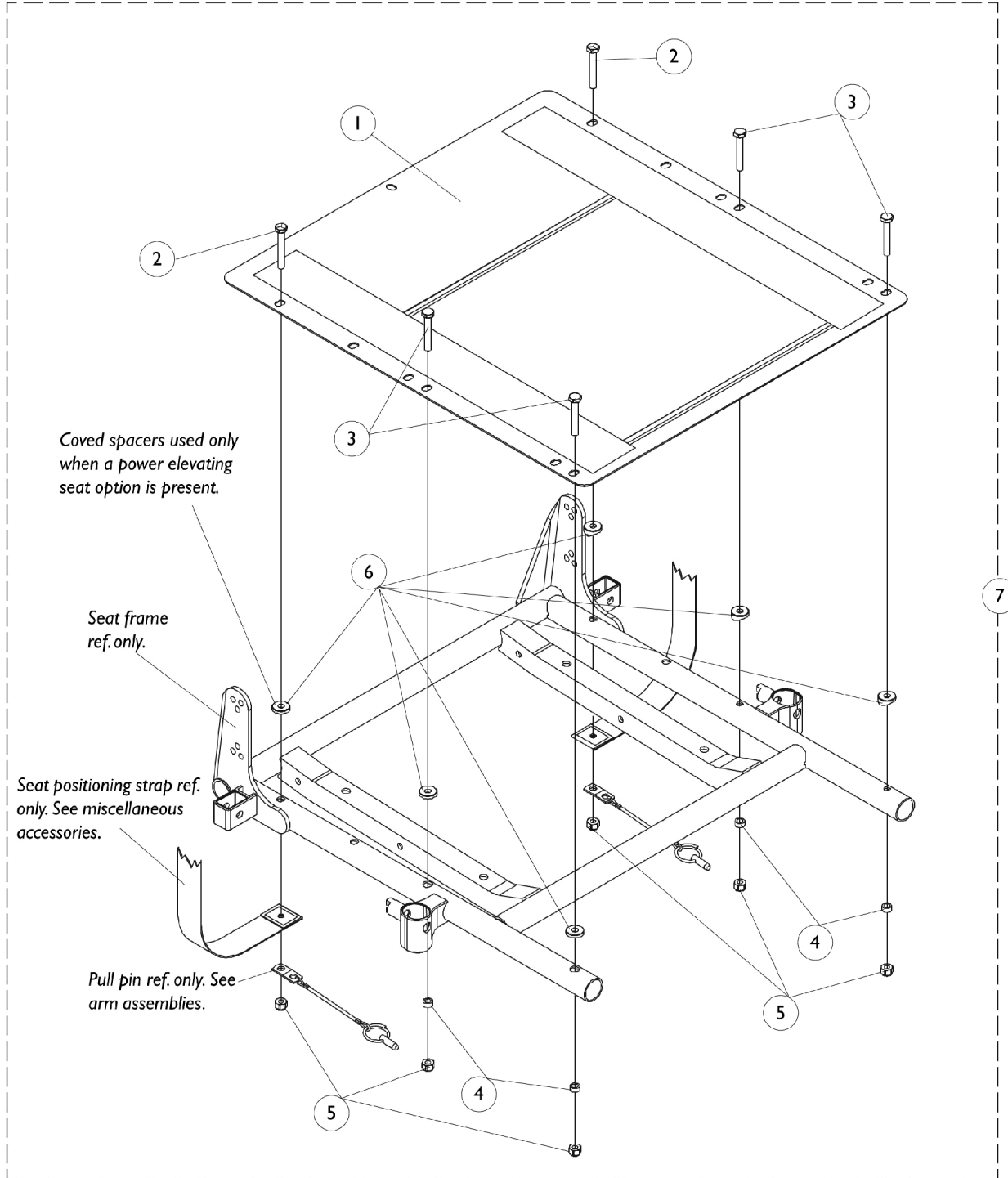


Seat Pan and Attaching Hardware



Seat Pan and Attaching Hardware

#1 Adult Seat Pan

Width	16" Depth	17" Depth	18" Depth	19" Depth	20" Depth	21" Depth	22" Depth
16" W	1066013-NLA	1066024	1066035-NLA	1066046-NLA	1066057-NLA	1066068-NLA	1066079-NLA
17" W	1066014-NLA	1066025-NLA	1066036-NLA	1066047-NLA	1066058-NLA	1066069-NLA	1066080-NLA
18" W	1066015-NLA	1066026	1066037-NLA	1066048-NLA	1066059-NLA	1066070-NLA	1066081-NLA
19" W	1066016-NLA	1066027-NLA	1066038-NLA	1066049-NLA	1066060	1066071-NLA	1066082-NLA
20" W	1066017-NLA	1066028-NLA	1066039-NLA	1066050-NLA	1066061-NLA	1066072-NLA	1066083-NLA
21" W	1066018-NLA	1066029-NLA	1066040-NLA	1066051-NLA	1066062-NLA	1066073-NLA	1066084-NLA
22" W	1066019-NLA	1066030-NLA	1066041-NLA	1066052-NLA	1066063-NLA	1066074-NLA	1066085-NLA
23" W	1066020-NLA	1066031-NLA	1066042-NLA	1066053-NLA	1066064-NLA	1066075-NLA	1066086-NLA
24" W	1066021-NLA	1066032-NLA	1066043-NLA	1066054-NLA	1066065-NLA	1066076-NLA	1066087-NLA

Seat Pan and Attaching Hardware

Item Number	Note	Part Number	Description	Quantity Per	
				Package	Assembly
1		See Chart	Item #1 Adult Seat Pan	1	1
7	B	1070459-NLA	NLA - Kit, Seat Pan Mounting Hardware	1	1
2			Screw, Hex Head (1/4-20 x 1-5/8")	1	2
3			Screw, Hex Head (1/4-20 x 1-1/2")	1	4
4			NLA - Spacer (1/4 x 3/8 x 3/16")	1	4
5			Locknut (1/4-20)	1	6
7	A,C	1109336-NLA	Kit, Seat Pan Mounting Hardware	1	1
2			NLA - Screw, Hex Head (1/4-20 x 1-3/4")	1	2
3			Screw, Hex Head (1/4-20 x 1-5/8")	1	4
4			NLA - Spacer (1/4 x 3/8 x 3/16")	1	4
5			Locknut (1/4-20)	1	6
6			Spacer, Coved (1/4 x 11/16 x 1/2")	1	6
NOTE: A - Hardware used when a power elevating seat option is present. B - Includes items 2-5 C - Includes items 2-6					
NOTE: 12-15" seat depths are achieved by using CJ back cane mounting hardware.					