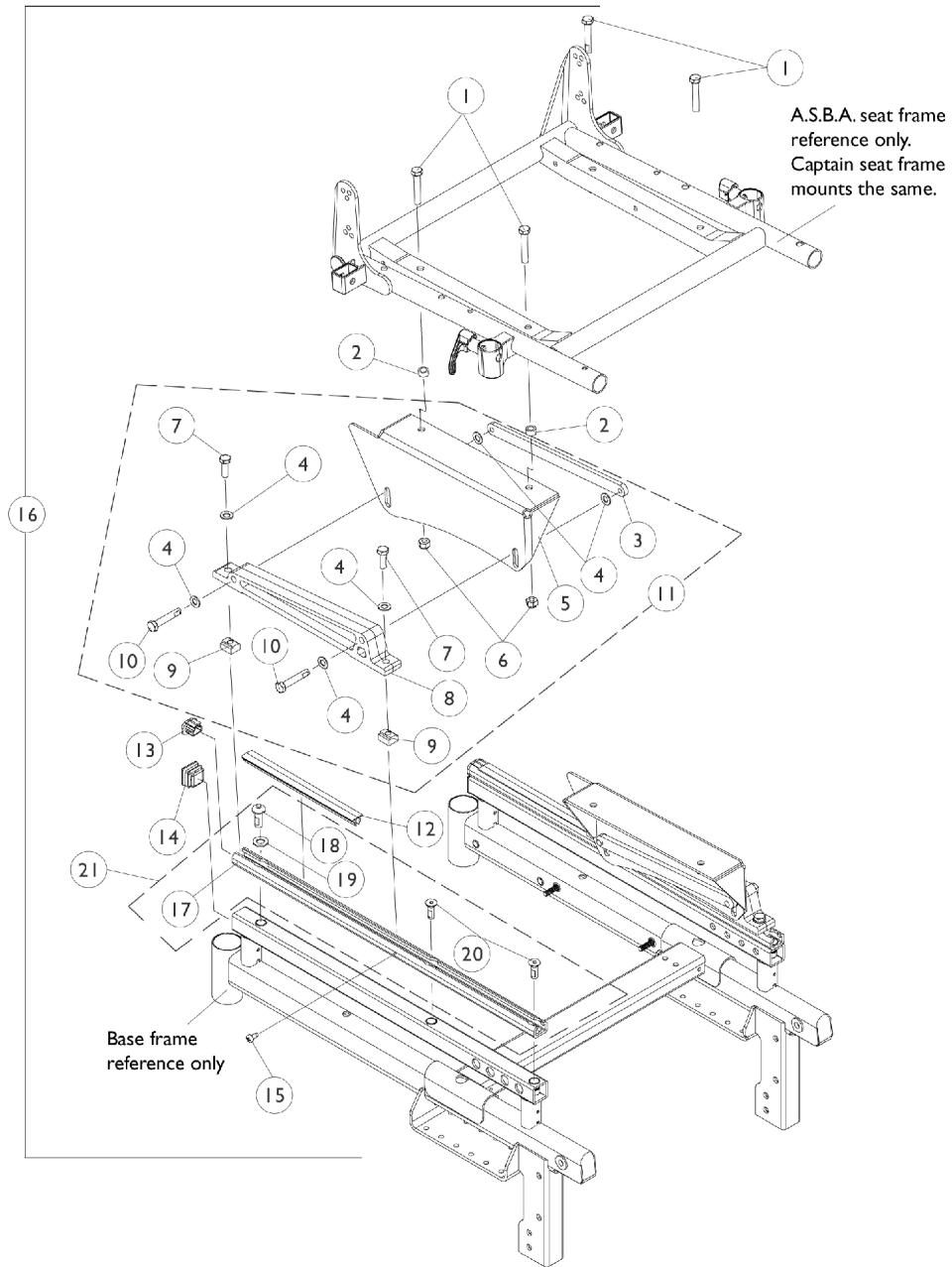


ASBA Seat and Captain Seat Frame Mounting Hardware



ASBA Seat and Captain Seat Frame Mounting Hardware

Item Number	Note	Part Number	Description	Quantity Per	
				Package	Assembly
1	A	1043627-NLA	NLA - Screw, Hex Head w/ Patch (5/16-18 x 1-3/4")	1	4
1	B	1070398-NLA	NLA - Screw, Hex Head (5/16-18 x 1-1/2")	1	4
2	A	1070413-NLA	NLA - Spacer (21/64 x 1/2 x 17/64")	1	4
3		1070396-NLA	NLA - Strap, Bolt, Black	1	2
4		1025704	Washer, Flat (5/16 x 5/8 x 1/16")	1	12
5	I	1070343-NLA	NLA - Plate, Seat Mounting Low, Right	1	1
5	I	1070344-NLA	NLA - Plate, Seat Mounting Low, Left	1	1
5	J	1070345-NLA	NLA - Plate, Seat Mounting Medium, Right	1	1
5	J	1070346-NLA	NLA - Plate, Seat Mounting Medium, Left	1	1
6		1026158	Locknut (5/16-18)	1	4
7		1070462-NLA	NLA - Screw, Hex Head w/ Patch (5/16-18 x 7/8")	1	4
8		1070388	Support, Seat, Black	1	2
9		1069724	T-Nut (5/16-18)	1	4
10		1043627-NLA	NLA - Screw, Hex Head w/ Patch (5/16-18 x 1-3/4")	1	4
11	D,I	1106852-NLA	NLA - Seat, Mounting Plate w/ Hardware, Low	1	1
11	D,J	1106853-NLA	NLA - Seat, Mounting Plate w/ Hardware, Medium	1	1
12	H	1070503-NLA	NLA - Cover, Extrusion	1	2
13		1096769-NLA	NLA - Cap, End, Black	1	4
14		1096795-NLA	NLA - Plug Button, Square, Black (1")	1	2
15		1025729	Screw, Phillips Pan Head Tap (#8-32 x 3/8")	1	2
16	A,E	1095614-NLA	NLA - Hardware, Seat Frame Mounting	1	1
16	B,C,F	1095593-NLA	NLA - Hardware, Seat Frame Mounting	1	1
17		1098872-NLA	NLA - Extrusion, Seat Mounting	1	2
18		1065215	Screw, Socket Button Head w/ Patch (5/16-18 x 3/4")	1	2
19		1025704	Washer, Flat (5/16 x 5/8 x 1/16")	1	2
20		1095586-NLA	NLA - Screw, Socket Flat Head w/ Patch (5/16-18 x 7/8")	1	4
21	G	1098302-NLA	NLA - Extrusion, Seat Mounting and Hardware (Pair)	2	1

NOTE: A - Used on 16" wide A.S.B.A. seat frames only
 B - Used on 17"-24" wide A.S.B.A. seat frames and captain seats
 C - Item 5 not included in package
 D - Includes items 3-10
 E - Hardware p/n 1095614 is NLA. For replacement parts order hardware no. 1095593, 4 ea. 1070413 (spacers), and 4 ea. 1043627 (screws).
 F - Includes items 1, 3, 4, 6-10 and 12-15
 G - Includes items 17-20
 H - 2 Feet
 I - 18.5" Seat to Floor
 J - 20-3/4" Seat to Floor