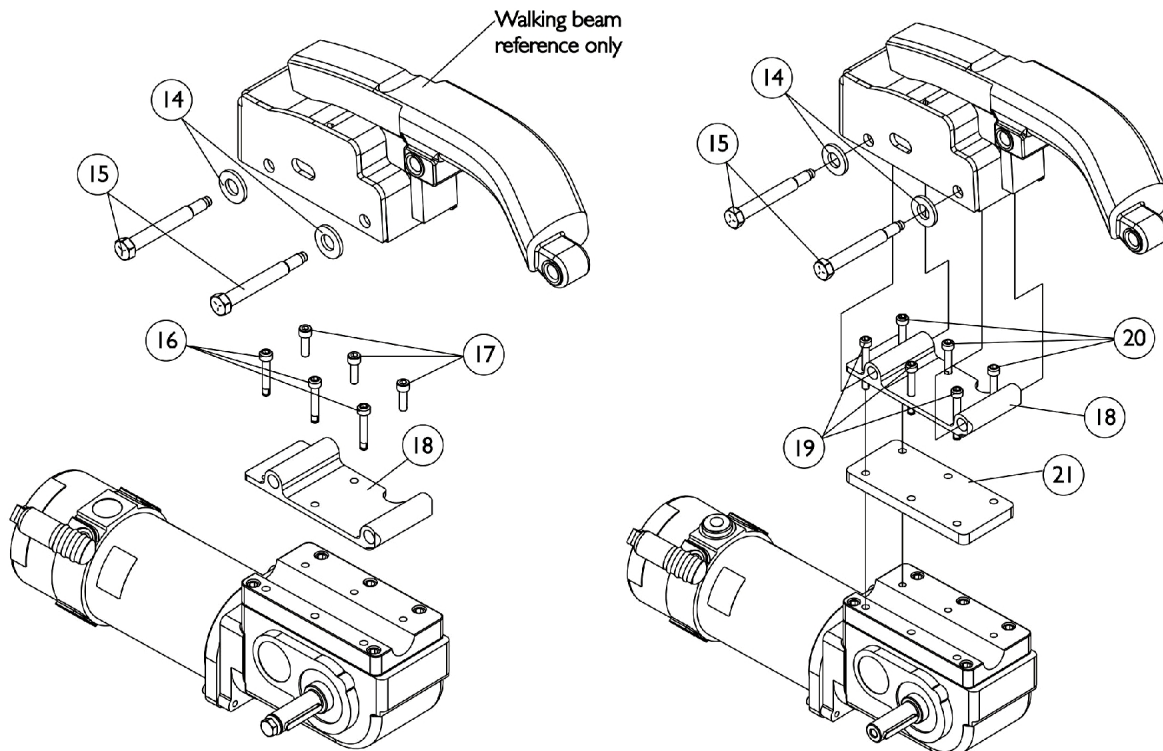
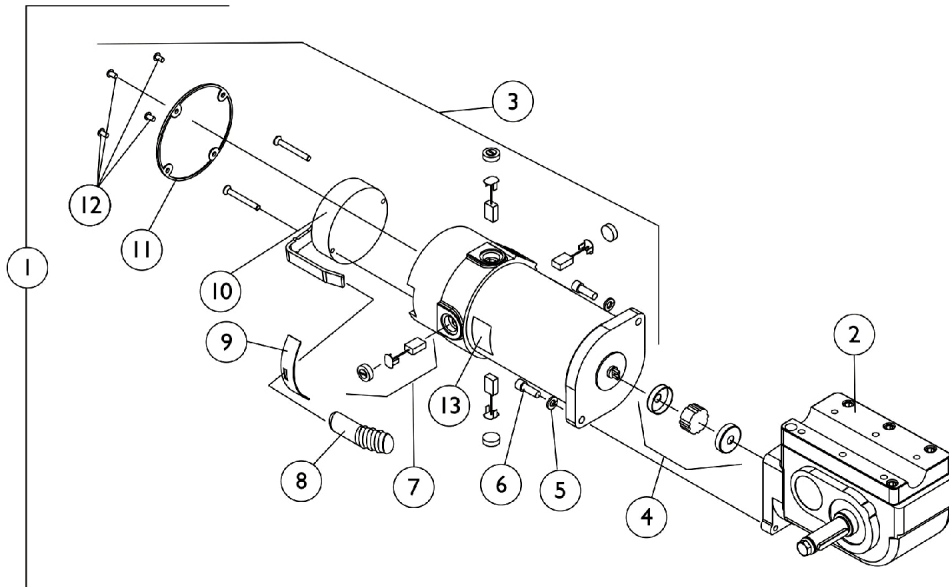


# Motor, 4-Pole, Gearbox and Mounting Hardware

NOTE: 2-Pole motors were standard on TDX3 with a user weight capacity of 250 Lbs. before 10/20/03 and after 10/19/03 4-Pole motors became standard on TDX3 with a user weight capacity of 300 Lbs. for Non-Powered seating systems. Powered Seating Systems with a user weight capacity of 250 Lbs. or greater use 4-Pole motors.



For TDX 3 and TDX 4  
with 14" x 3" Wheel

Only For TDX 3  
With 12-1/2" x 2-1/4" Wheel  
(Effective 10/20/03)

# Motor, 4-Pole, Gearbox and Mounting Hardware

**NOTE: 2-Pole motors were standard on TDX3 with a user weight capacity of 250 Lbs. before 10/20/03 and after 10/19/03 4-Pole motors became standard on TDX3 with a user weight capacity of 300 Lbs. for Non-Powered seating systems. Powered Seating Systems with a user weight capacity of 250 Lbs. or greater use 4-Pole motors.**

Item Number	Note	Part Number	Description	Quantity Per	
				Package	Assembly
1-3		See Chart	Item #'s 1-3 TDX3/TDX4 Non-Heavy Duty 300 Lb. Weight Limit	1	1
1-3		See Chart	Item #'s 1-3 (TDX3 SE 300 Lb. Weight Limit) and (TDX3/TDX4 Heavy Duty 400 Lb. Weight Limit)	1	1
4		50000X007-NLA	NLA - Coupling w/ Cup (1-5/16" Diameter)	1	1
5		10502X001-NLA	NLA - Lockwasher (1/4")	1	2
6	A	1108978	Screw, Socket Head (M6 x 1 x 20mm)	1	2
6	A	1043594	Screw, Socket Head (1/4-20 x 1-1/8")	1	2
7	B	1070296-NLA	NLA - Kit, Brushes with Caps, 4-Pole	1	1
			Brush, Motor, 4 Pole	1	4
			Cap, Brush	1	4
			Instruction Sheet	1	1
8		1101725	Cap, Brake Lever End, Black	1	1
9		1082985-NLA	NLA - Plate, Slotted	1	1
10	C,D	1070294-NLA	NLA - Kit, Brake Repair, RWD=R, MWD=L	1	1
10	C,D	1070295-NLA	NLA - Kit, Brake Repair, RWD=L, MWD=R	1	1
11	E	1108452-NLA	NLA - Cover, Brake w/ Screws, Black	1	1
11	F	1104402-NLA	NLA - Cover, Brake w/ Screws, Black	1	1
12	G	1108447-NLA	NLA - Screw, Phillips Pan Head (M4 x .7 x 8mm)	1	4
13		1104797	Decal, Drive/Push	1	1
14		1003766-NLA	NLA - Washer, Plain (1/2 x 1 x 1/8")	1	2
15		1113600	Pin, Motor Release	1	2
16		1071504-NLA	NLA - Screw, Socket w/ Patch (M6 x 1 x 35mm)	1	3
17		1071505	Screw, Socket w/ Patch (M6 x 1 x 20mm)	1	3
18		1121018	Plate, Motor Mounting - Right	1	1
18		1121019	Plate, Motor Mounting - Left	1	1
19		1122839-NLA	NLA - Screw, Socket Head w/ Patch (M6 x 1 x 45MM)	1	3
20		1080712-NLA	NLA - Screw, Socket Head (M6 x 1 x 30mm)	1	3
21		1122832-NLA	NLA - Plate, Adapter	1	1

**NOTE:** A - When a new gearbox or mounting screws are ordered, (2 ea.) metric and (2 ea.) non-metric screws (item 6) must be ordered. Invacare Corp. utilizes alternate suppliers for this part number.  
 B - Kit includes (4) Brushes, (4) Brush Caps and Instruction Sheet.  
 C - Before 12/16/05. NOTE: Brake Kits are not available for the Heavy Duty Motor Assembly part #'s 1121144 and 1121145  
 D - Use existing screws when installing the Brake Repair Kit. The Motor Brake Mounting Screws are not saleable.  
 E - Non-Heavy duty for 300 Lb. weight limit. Standard on TDX3 and (TDX4 Before 10/9/06). Tarsys Powered Seating with upgrade model codes HD250T3 and HD250T4 Before 10/9/06. Tarsys Powered Seating no longer offered after 10/8/06  
 F - Heavy duty for 400 Lb. weight limit. (Upgrade on TDX3 Before 10/9/06 & not offered on TDX3 After 10/8/06) (Upgrade on TDX4 Before 10/9/06 & Standard on TDX4 After 10/8/06) (Standard on TDX3 SE introduced 11/15/06 for 300 Lb weight limit)  
 G - No longer available, use 1108452 (Item 11) as the replacement part.

# Motor, 4-Pole, Gearbox and Mounting Hardware

**NOTE: 2-Pole motors were standard on TDX3 with a user weight capacity of 250 Lbs. before 10/20/03 and after 10/19/03 4-Pole motors became standard on TDX3 with a user weight capacity of 300 Lbs. for Non-Powered seating systems. Powered Seating Systems with a user weight capacity of 250 Lbs. or greater use 4-Pole motors.**

## Item #'s 1-3 TDX3/TDX4 Non-Heavy Duty 300 Lb. Weight Limit

Item Number	Description	TDX3 and TDX4 Right Side	TDX3 and TDX4 Left Side
1.	Motor/Gearbox Assembly (Before 12/16/05)	1120367 See Note(s) B, D, A	1120368 See Note(s) A, D, B
1.	Motor/Gearbox Assembly (After 12/15/05)	1140445 See Note(s) A, B, E	1140446 See Note(s) B, E, A
1.	WARR RPLMT - Motor/Gearbox Assembly (After 12/15/05)	1140445E-NLA See Note(s) E, B, A	1140446E-NLA See Note(s) B, A, E
2.	Gearbox Assembly (Before 12/16/05)	1086228-NLA See Note(s) F, D	1086227-NLA See Note(s) F, D
2.	Gearbox Assembly (After 12/15/05)	1086222-NLA See Note(s) G, F	1086221 See Note(s) F, G
3.	Motor Assembly (Before 12/16/05)	1120358-NLA See Note(s) A, C, D	1120359-NLA See Note(s) D, C, A
3.	Motor Assembly (After 12/15/05)	1141701-NLA See Note(s) H, A, C	1141702-NLA See Note(s) A, C, H
<p><b>NOTE:</b> A - Non-Heavy duty for 300 Lb. weight limit. Standard on TDX3 and (TDX4 Before 10/9/06). Tarsys Powered Seating with upgrade model codes HD250T3 and HD250T4 Before 10/9/06. Tarsys Powered Seating no longer offered after 10/8/06            B - Includes items 2-13            C - Includes motor and items 7-13            D - Before 12/16/05            E - After 12/15/05. NOTE: Brake Repair Kits are currently not available.            F - When a new gearbox or mounting screws are ordered, (2 ea.) metric and (2 ea.) non-metric screws (item 6) must be ordered. Invacare Corp. utilizes alternate suppliers for this part number.            G - After 12/15/05. Refer to MWD=R &amp; MWD=L when ordering for a TDX model            H - After 12/15/05</p>			

## Motor, 4-Pole, Gearbox and Mounting Hardware

**NOTE: 2-Pole motors were standard on TDX3 with a user weight capacity of 250 Lbs. before 10/20/03 and after 10/19/03 4-Pole motors became standard on TDX3 with a user weight capacity of 300 Lbs. for Non-Powered seating systems. Powered Seating Systems with a user weight capacity of 250 Lbs. or greater use 4-Pole motors.**

**Item #'s 1-3 (TDX3 SE 300 Lb. Weight Limit) and (TDX3/TDX4 Heavy Duty 400 Lb. Weight Limit)**

Item Number	Description	TDX3/TDX3 SE and TDX4 Right Side	TDX3/TDX3 SE and TDX4 Left Side
1.	Motor/Gearbox Assembly	1121146-NLA See Note(s) B, E, A	1121147-NLA See Note(s) E, B, A
2.	Gearbox Assembly	1086228-NLA See Note(s) D, A	1086227-NLA See Note(s) D, A
3.	Motor Assembly	1121144 See Note(s) C, A	1121145 See Note(s) C, A
3.	WARR RPLMT - Motor Assembly	1121144E-NLA See Note(s) A, C	1121145E-NLA See Note(s) C, A
<p><b>NOTE:</b> A - Heavy duty for 400 Lb. weight limit. (Upgrade on TDX3 Before 10/9/06 &amp; not offered on TDX3 After 10/8/06) (Upgrade on TDX4 Before 10/9/06 &amp; Standard on TDX4 After 10/8/06) (Standard on TDX3 SE introduced 11/15/06 for 300 Lb. Weight Limit)</p> <p>B - Includes items 2-13</p> <p>C - Includes motor and items 7-13</p> <p>D - When a new gearbox or mounting screws are ordered, (2 ea.) metric and (2 ea.) non-metric screws (item 6) must be ordered. Invacare Corp. utilizes alternate suppliers for this part number.</p> <p>E - As of May 2008, the Metal Motor End Cap will be replaced with a Composite Motor End Cap. The change does not affect form, fit, function or aesthetics.</p>			