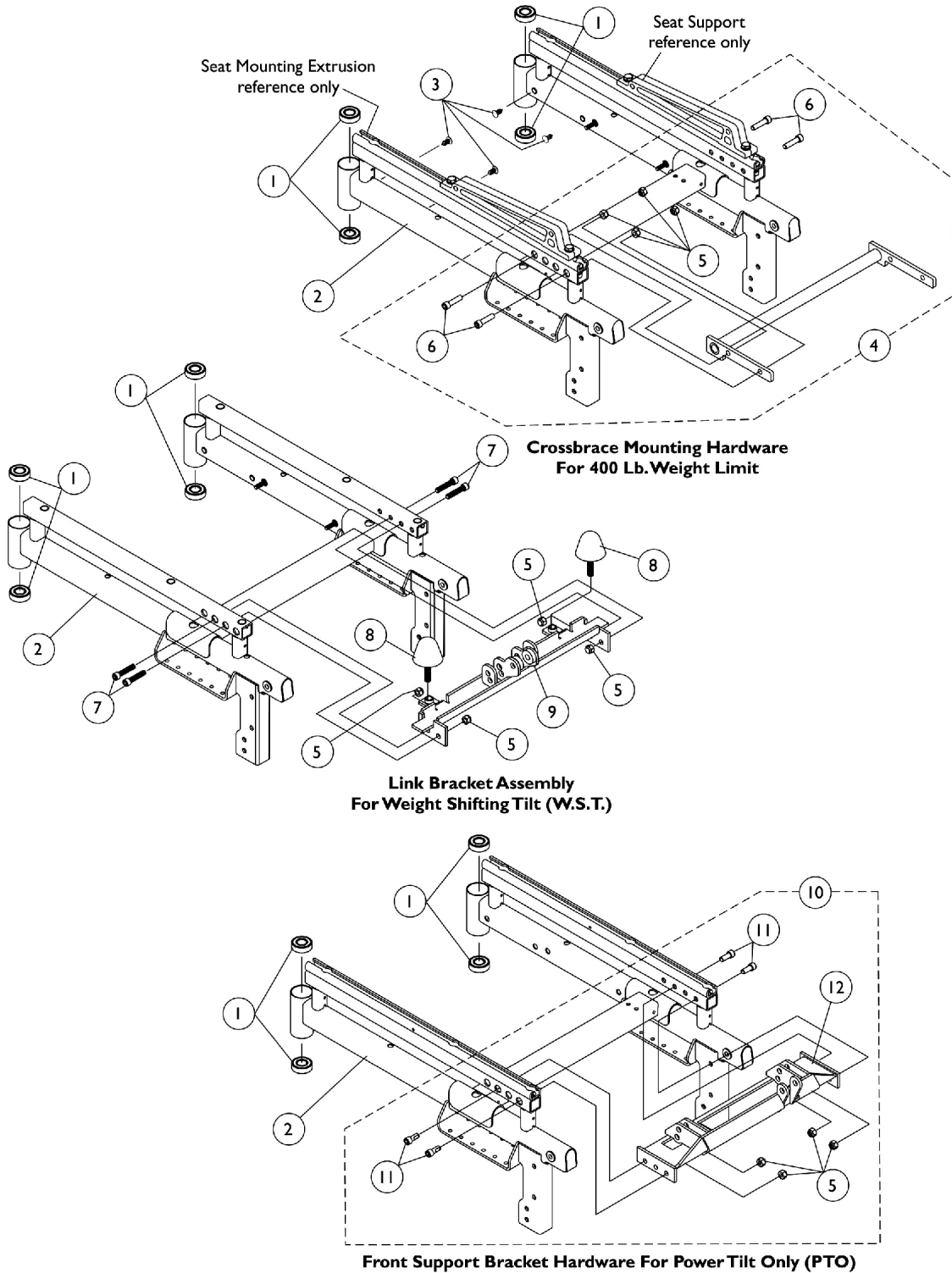


Base Frame and Hardware

NOTE: All seat options including a Power Tilt Only use the same base frame part number (1079192). Some seat options may require specific base frame hardware that is specified below.



Base Frame and Hardware

Item Number	Note	Part Number	Description	Quantity Per	
				Package	Assembly
1		40117X006	Bearing (5/8")	1	4
2	B,C,E	1079192-NLA	NLA - Base Frame with Bearings	1	1
3	A	1058520-NLA	NLA - Fastener, Panel Snap-In	1	4
4	D	1095622-NLA	NLA - Crossbrace with Mounting Hardware	1	1
5		1026158	Locknut (5/16-18)	1	4
6		1021343	Screw, Socket Head (5/16-18 x 1-1/4")	1	4
7		1021344	Screw, Socket Head (5/16-18 x 1-1/2")	1	4
8		0225100-NLA	NLA - Bumper, Tilt	1	2
9		1098615-NLA	NLA - Bracket, Link w/ Caution Decal, Black	1	1
10	F	1106551-NLA	NLA - Kit, Front Support Bracket Hardware	1	1
11		1086944-NLA	NLA - Screw, Socket Head (5/16-18 x 3/4")	1	4
12		1106393-NLA	NLA - Bracket, Support, Front, Black	1	1

NOTE: A - Used when shroud option is omitted.
 B - Specify 24P wet black frame color when ordering
 C - Decals not included, see "Packaging, Literature and Decals" page.
 D - Includes items 5 and 6
 E - For all seat options.
 F - Includes items 5, 11 and 12