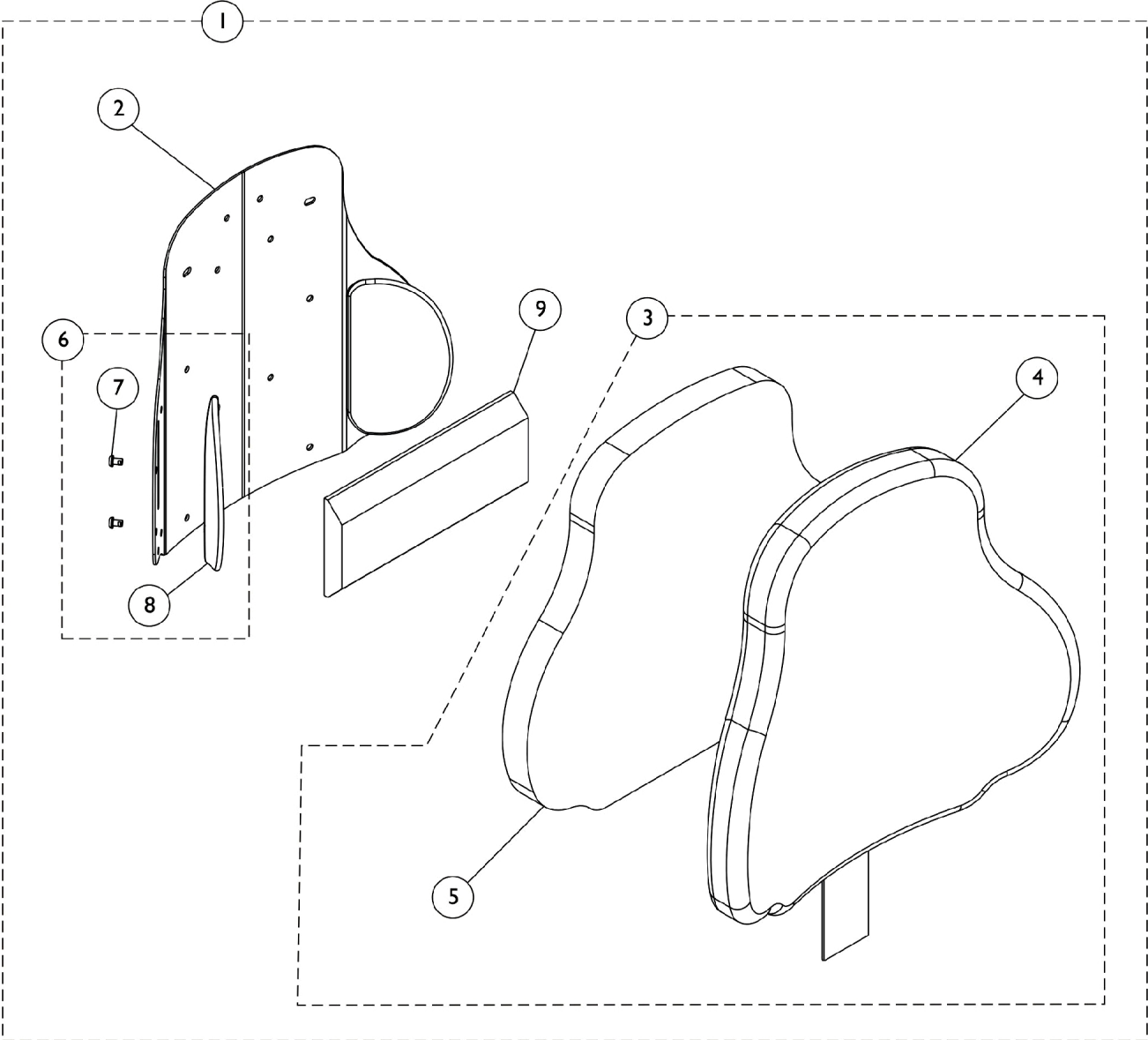


Curve Contoura Back w/o Mounting Hardware



Curve Contoura Back w/o Mounting Hardware

Lateral and Lumbar Supports

Item Number	Note	Part Number	Description	Quantity Per	
				Package	Assembly
1	A	See Chart	#1 Curved Contoura Back Kit	1	1
1	A	See Chart	#1 Mesh Curved Contoura Back Kit (CTBMSH)	1	1
3	B	See Chart	#3 Curve Contoura Back Cushion Assembly	1	1
3	B	See Chart	#3 Mesh Curve Contoura Back Cushion Assembly (CTBMSH)	1	1
6	C	1166151	Kit, Lateral Support, Contoura Back (22" H) (Pair)	1	1
			Screw, Socket, Button (1/4-20 x 3/8")	1	4
			Support, Lateral (22" H)	1	2
6	C	1163130-NLA	NLA - Kit, Lateral Support, Contoura Back (25" H) (Pair)	1	1
7			Screw, Socket, Button (1/4-20 x 3/8")	1	4
8			Support, Lateral (25" H)	1	2
6	C	1163131-NLA	NLA - Kit, Lateral Support, Contoura Back (28" H) (Pair)	1	1
7			Screw, Socket, Button (1/4-20 x 3/8")	1	4
8			Support, Lateral (28" H)	1	2
9		1084410-NLA	NLA - Support, Lumbar - Large	1	1

NOTE: A - Includes Items 2 thru 9.
 B - Includes Items 4 and 5. Back Cover and Foam are sold as a Back Cushion Assembly only.
 C - Included Items 7 and 8.

Item #2 is a non-saleable part. Refer to item #1 Kit when ordering.

#1 Curved Contoura Back Kit

Overall Back Height	Material Back Height	16" Wide	18" Wide	20" Wide	22" Wide
22" High	17" High	1165846 See Note(s) A	1165847 See Note(s) A	1165848 See Note(s) A	1165849 See Note(s) A
25" High	20" High	1161480 See Note(s) A	1161482 See Note(s) A	1161484 See Note(s) A	1161486 See Note(s) A
28" High	23" High	1161481 See Note(s) A	1161483 See Note(s) A	1161485 See Note(s) A	1161487 See Note(s) A

NOTE: A - Includes items 2-9

Overall Back Height includes the spacing gap dimension from the bottom of the Back Assembly to the Seat Pan

#1 Mesh Curved Contoura Back Kit (CTBMSH)

Overall Back Height	Material Back Height	16" Wide	18" Wide	20" Wide	22" Wide
22" High	17" High	1165837 See Note(s) A	1165842 See Note(s) A	1165843 See Note(s) A	1165844 See Note(s) A
25" High	20" High	1164235 See Note(s) A	1164237 See Note(s) A	1164239 See Note(s) A	1164241 See Note(s) A

Curve Contoura Back w/o Mounting Hardware

#1 Mesh Curved Contoura Back Kit (CTBMSH)

Overall Back Height	Material Back Height	16" Wide	18" Wide	20" Wide	22" Wide
28" High	23" High	1164236 See Note(s) A	1164238 See Note(s) A	1164240 See Note(s) A	1164242 See Note(s) A

NOTE: A - Includes items 2-9
Overall Back Height includes the spacing gap dimension from the bottom of the Back Assembly to the Seat Pan

Curve Contoura Back w/o Mounting Hardware

#3 Curve Contoura Back Cushion Assembly

Overall Back Height	Material Back Height	16" Wide	18" Wide	20" Wide	22" Wide
22" High	17" High	1166146 See Note(s) B	1166147 See Note(s) B	1166148 See Note(s) B	1166149 See Note(s) B
25" High	20" High	1163248-NLA See Note(s) B	1163250-NLA See Note(s) B	1163252-NLA See Note(s) B	1163254-NLA See Note(s) B
28" High	23" High	1163249-NLA See Note(s) B	1163251-NLA See Note(s) B	1163253-NLA See Note(s) B	1163255-NLA See Note(s) B
NOTE: B - Includes items 4 and 5. Back Cover and Foam are sold as a Back Cushion Assembly only. Overall Back Height includes the spacing gap dimension from the bottom of the Back Assembly to the Seat Pan					

#3 Mesh Curve Contoura Back Cushion Assembly (CTBMSH)

Overall Back Height	Material Back Height	16" Wide	18" Wide	20" Wide	22" Wide
22" High	17" High	1166141 See Note(s) B	1166142 See Note(s) B	1166143 See Note(s) B	1166144 See Note(s) B
25" High	20" High	1171642 See Note(s) B	1171644 See Note(s) B	1171646 See Note(s) B	1171648 See Note(s) B
28" High	23" High	1171643 See Note(s) B	1171645 See Note(s) B	1171647 See Note(s) B	1171649 See Note(s) B
NOTE: B - Includes items 4 and 5. Back Cover and Foam are sold as a Back Cushion Assembly only. Overall Back Height includes the spacing gap dimension from the bottom of the Back Assembly to the Seat Pan					