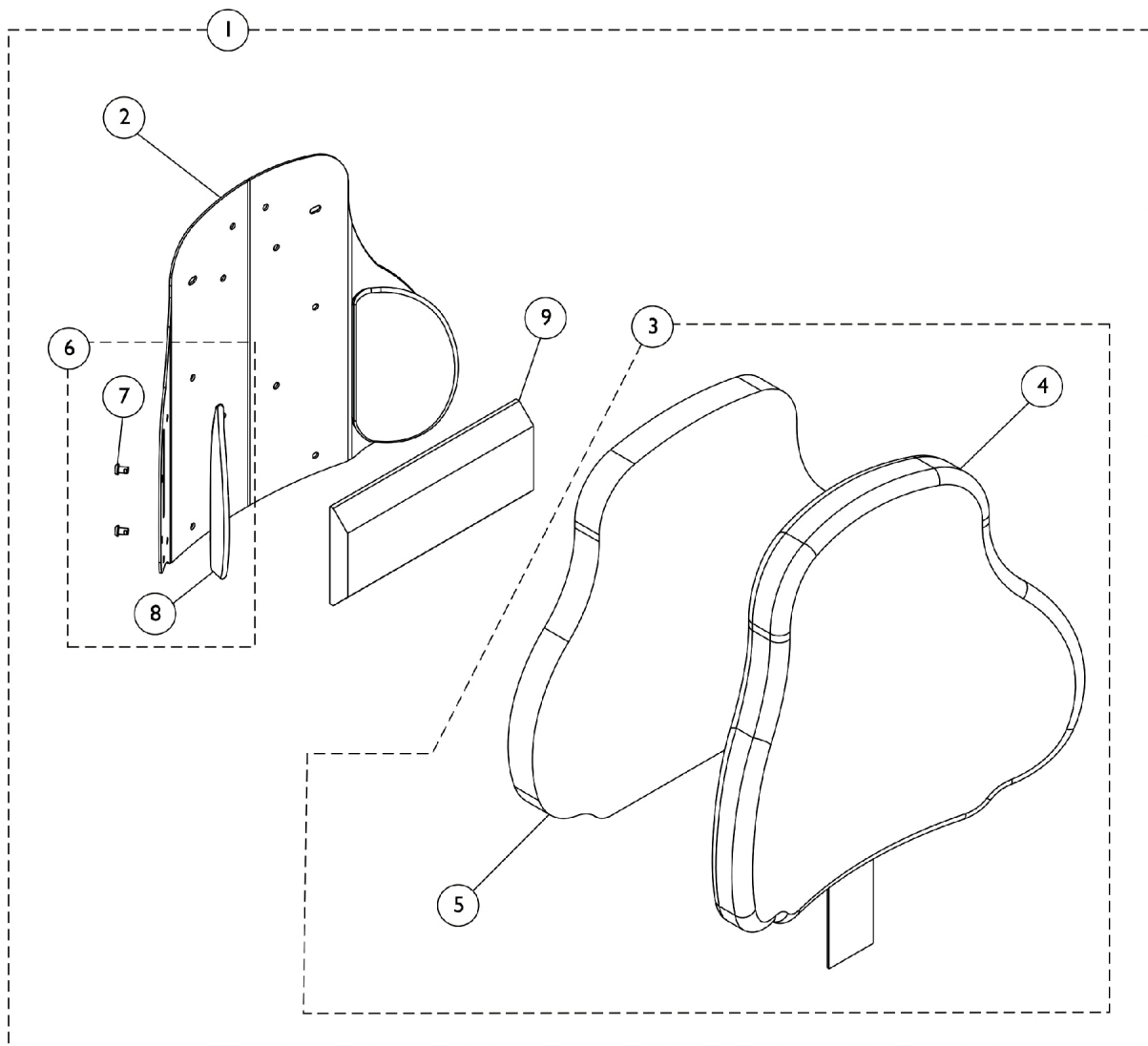


Curve Contoura Back w/o Mounting Hardware

CGT/CGTE/CGTR/CGTRE (16" - 22" Wide)

NOTE: When changing seat width on any system that has Recline and Curve Contoura Seating (Tilt/Recline, Tilt/Recline/Elevate) you must First look up special quote # C-100628042246 for directions on how to order the Back and all additional components that may be required for changing seat width through the Equipment Configurator.

NOTE: Extruded back canes come in one back height only. Back cane material height for the contoura extruded back canes measure approximately 20-1/2". Overall back height from the seat pan to top of the extruded back cane is approximately 23". Only the Back Assembly needs to be replaced when changing back heights.



Curve Contoura Back w/o Mounting Hardware

CGT/CGTE/CGTR/CGTRE (16" - 22" Wide)

NOTE: When changing seat width on any system that has Recline and Curve Contoura Seating (Tilt/Recline, Tilt/Recline/Elevate) you must First look up special quote # C-100628042246 for directions on how to order the Back and all additional components that may be required for changing seat width through the Equipment Configurator.

NOTE: Extruded back canes come in one back height only. Back cane material height for the contoura extruded back canes measure approximately 20-1/2". Overall back height from the seat pan to top of the extruded back cane is approximately 23". Only the Back Assembly needs to be replaced when changing back heights.

Lateral and Lumbar Supports

Item Number	Note	Part Number	Description	Quantity Per	
				Package	Assembly
1	A	See Chart	#1 Curved Contoura Back Kit	1	1
1	A	See Chart	#1 Mesh Curved Contoura Back Kit (CTBMSH)	1	1
3	B	See Chart	#3 Curve Contoura Back Cushion Assembly	1	1
3	B	See Chart	#3 Mesh Curve Contoura Back Cushion Assembly (CTBMSH)	1	1
6	C	1166151	Kit, Lateral Support, Contoura Back (22" H) (Pair)	1	1
			Screw, Socket, Button (1/4-20 x 3/8")	1	4
			Support, Lateral (22" H)	1	2
6	C	1163130-NLA	NLA - Kit, Lateral Support, Contoura Back (25" H) (Pair)	1	1
7			Screw, Socket, Button (1/4-20 x 3/8")	1	4
8			Support, Lateral (25" H)	1	2
6	C	1163131-NLA	NLA - Kit, Lateral Support, Contoura Back (28" H) (Pair)	1	1
7			Screw, Socket, Button (1/4-20 x 3/8")	1	4
8			Support, Lateral (28" H)	1	2
9		1084410-NLA	NLA - Support, Lumbar - Large	1	1

NOTE: A - Includes Items 2 thru 9.
 B - Includes Items 4 and 5. Back Cover and Foam are sold as a Back Cushion Assembly only.
 C - Included Items 7 and 8.

Item #2 is a non-saleable part. Refer to item #1 Kit when ordering.

#1 Curved Contoura Back Kit

Overall Back Height	Material Back Height	16" Wide	18" Wide	20" Wide	22" Wide
22" High	17" High	1165846 See Note(s) A	1165847 See Note(s) A	1165848 See Note(s) A	1165849 See Note(s) A
25" High	20" High	1161480 See Note(s) A	1161482 See Note(s) A	1161484 See Note(s) A	1161486 See Note(s) A
28" High	23" High	1161481 See Note(s) A	1161483 See Note(s) A	1161485 See Note(s) A	1161487 See Note(s) A

NOTE: A - Includes items 2-9

NOTE: When changing seat width on any system that has Recline and Curve Contoura Seating (Tilt/Recline, Tilt/Recline/Elevate) you must First look up special quote # C-100628042246 for directions on how to order the Back and all additional components that may be required for changing seat width through the Equipment Configurator.

Curve Contoura Back w/o Mounting Hardware

CGT/CGTE/CGTR/CGTRE (16" - 22" Wide)

NOTE: When changing seat width on any system that has Recline and Curve Contoura Seating (Tilt/Recline, Tilt/Recline/Elevate) you must First look up special quote # C-100628042246 for directions on how to order the Back and all additional components that may be required for changing seat width through the Equipment Configurator.

NOTE: Extruded back canes come in one back height only. Back cane material height for the contoura extruded back canes measure approximately 20-1/2". Overall back height from the seat pan to top of the extruded back cane is approximately 23". Only the Back Assembly needs to be replaced when changing back heights.

#1 Mesh Curved Contoura Back Kit (CTBMSH)

Overall Back Height	Material Back Height	16" Wide	18" Wide	20" Wide	22" Wide
22" High	17" High	1165837 See Note(s) A	1165842 See Note(s) A	1165843 See Note(s) A	1165844 See Note(s) A
25" High	20" High	1164235 See Note(s) A	1164237 See Note(s) A	1164239 See Note(s) A	1164241 See Note(s) A
28" High	23" High	1164236 See Note(s) A	1164238 See Note(s) A	1164240 See Note(s) A	1164242 See Note(s) A

NOTE: A - Includes items 2-9

NOTE: When changing seat width on any system that has Recline and Curve Contoura Seating (Tilt/Recline, Tilt/Recline/Elevate) you must First look up special quote # C-100628042246 for directions on how to order the Back and all additional components that may be required for changing seat width through the Equipment Configurator. Overall Back Height includes the spacing gap dimension from the bottom of the Back Assembly to the Seat Pan

Curve Contoura Back w/o Mounting Hardware CGT/CGTE/CGTR/CGTRE (16" - 22" Wide)

NOTE: When changing seat width on any system that has Recline and Curve Contoura Seating (Tilt/Recline, Tilt/Recline/Elevate) you must First look up special quote # C-100628042246 for directions on how to order the Back and all additional components that may be required for changing seat width through the Equipment Configurator.

NOTE: Extruded back canes come in one back height only. Back cane material height for the contoura extruded back canes measure approximately 20-1/2". Overall back height from the seat pan to top of the extruded back cane is approximately 23". Only the Back Assembly needs to be replaced when changing back heights.

#3 Curve Contoura Back Cushion Assembly

Dimensions	16" Wide	18" Wide	20" Wide	22" Wide
22" High	1166146 See Note(s) B	1166147 See Note(s) B	1166148 See Note(s) B	1166149 See Note(s) B
25" High	1163248-NLA See Note(s) B	1163250 See Note(s) B	1163252-NLA See Note(s) B	1163254-NLA See Note(s) B
28" High	1163249-NLA See Note(s) B	1163251 See Note(s) B	1163253-NLA See Note(s) B	1163255-NLA See Note(s) B

NOTE: B - Includes items 4 and 5. Back Cover and Foam are sold as a Back Cushion Assembly only.

#3 Mesh Curve Contoura Back Cushion Assembly (CTBMSH)

Dimensions	16" Wide	18" Wide	20" Wide	22" Wide
22" High	1166141 See Note(s) B	1166142 See Note(s) B	1166143 See Note(s) B	1166144 See Note(s) B
25" High	1171642 See Note(s) B	1171644 See Note(s) B	1171646 See Note(s) B	1171648 See Note(s) B
28" High	1171643 See Note(s) B	1171645 See Note(s) B	1171647 See Note(s) B	1171649 See Note(s) B

NOTE: B - Includes items 4 and 5. Back Cover and Foam are sold as a Back Cushion Assembly only.