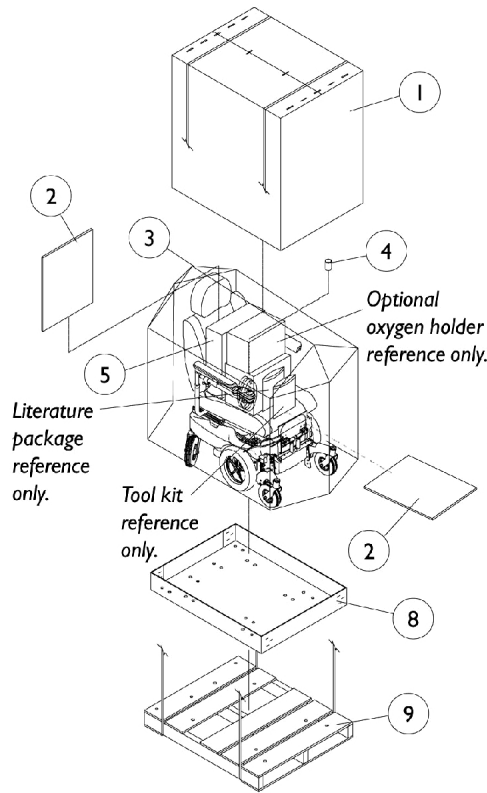
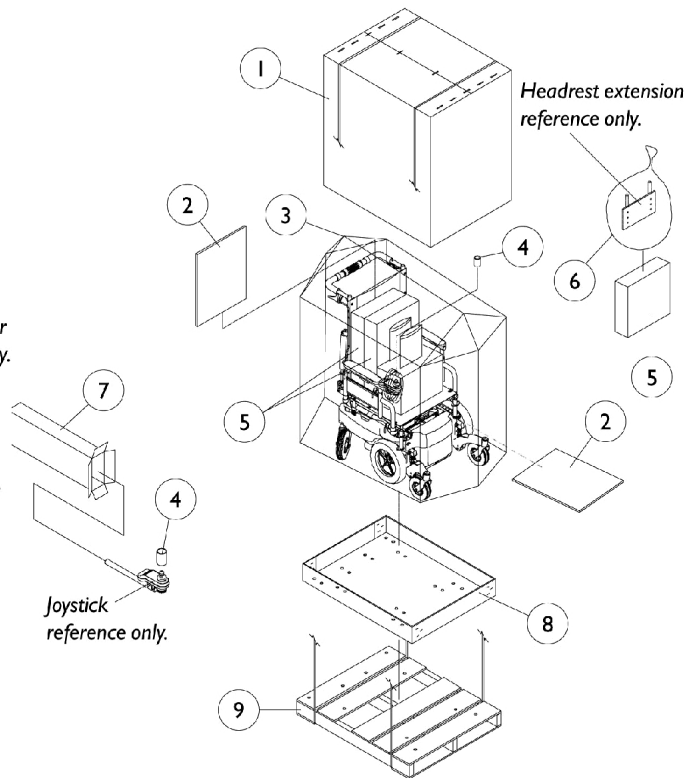
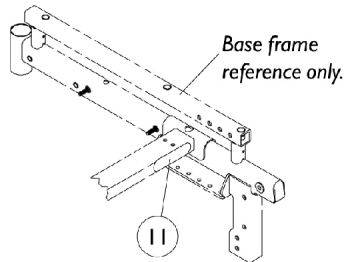
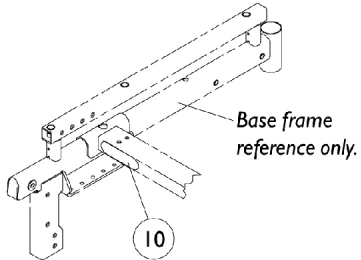


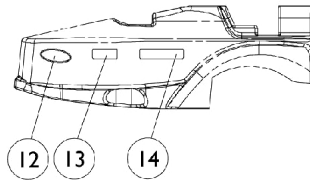
Packaging, Literature and Decals



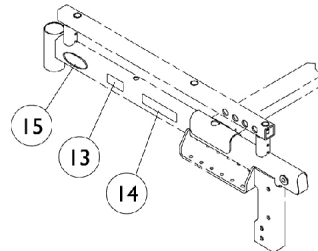
L.B. Captain Seat, A.S.B.A. Seat and Weight Shifting Tilt



H.B. Captain Seat and A.S.B.A. Manual Recliner



Right Shroud Cover Shown



Right/Left Outside of Frame without Shrouds

Packaging, Literature and Decals

Item Number	Note	Part Number	Description	Quantity Per	
				Package	Assembly
1	C	1030364	Carton, Cover	1	1
1	D	1031682	Carton, Cover	1	1
1	E	1030365	Carton, Cover	1	1
2		40131X161	Insert, Plain Pad	1	2
3		1015592	Bag, Poly (72" L x 35" W x 19" D)	1	1
4		1043198-NLA	NLA - Tube, Paper	1	1
5	F	40131X011-NLA	NLA - Carton, Front Riggings	1	1
6		1021866-NLA	NLA - Bag, Poly (26" L x 15" W)	1	1
7	B	1012001-NLA	NLA - Carton, Joystick	1	1
8		1030362	Carton, Tray	1	1
9	H	See Note	See Footnote	1	1
10		1119281-NLA	NLA - Plate, Name, Patent Numbers	1	1
11		1035900	Decal, Transportation	1	1
12		1095489	Decal, Invacare 3-D Logo (2-1/2" L)	1	1
13		1097104-NLA	NLA - Decal - 250-S	1	2
14		1095601-NLA	NLA - Decal, Model - Pronto	1	2
14	G	1095224-NLA	NLA - Decal, Model, Black - Ranger II	1	2
14	G	1095225-NLA	NLA - Decal, Model, White - Ranger II	1	2
15		1090146-NLA	NLA - Decal, Invacare 3-D Logo (1-19/32" L)	1	1
	A,I	1095272-NLA	NLA - Instruction Manual, MKIV RII	1	1
	A,J	1095602-NLA	NLA - Owner's Manual	1	1
	A	00077X031-NLA	NLA - Warranty Card	1	1
	A	1100911-NLA	NLA - Decal, Stabilizer Patent	1	1

NOTE: A - Not Shown
 B - Used for base only packaging. Order part #40131X011 to use as a replacement Joystick Carton also.
 C - L.B. Captain Seat, A.S.B.A. Seat and Weight Shifting Tilt
 D - H.B. Captain Seat and A.S.B.A. Manual Recliner
 E - Base Only
 F - Legrest and Headrest Extension
 G - Weight Shifting Tilt After 2/29/00
 H - Wood Skid not supplied
 I - Item is no longer available from the Invacare Service Parts Department. Refer to the Invacare Website under "Product Literature Search". Enter the part number in the "Keywords" field and download a free PDF version copy.
 J - Item is no longer available from the Invacare Service Parts Department. Refer to the Invacare Website under "Product Literature Search". Enter the part number in the "Keywords" field and download a free PDF version copy.

NOTE: When adjusting or replacing parts, please refer to your Owner's Manual for assistance.