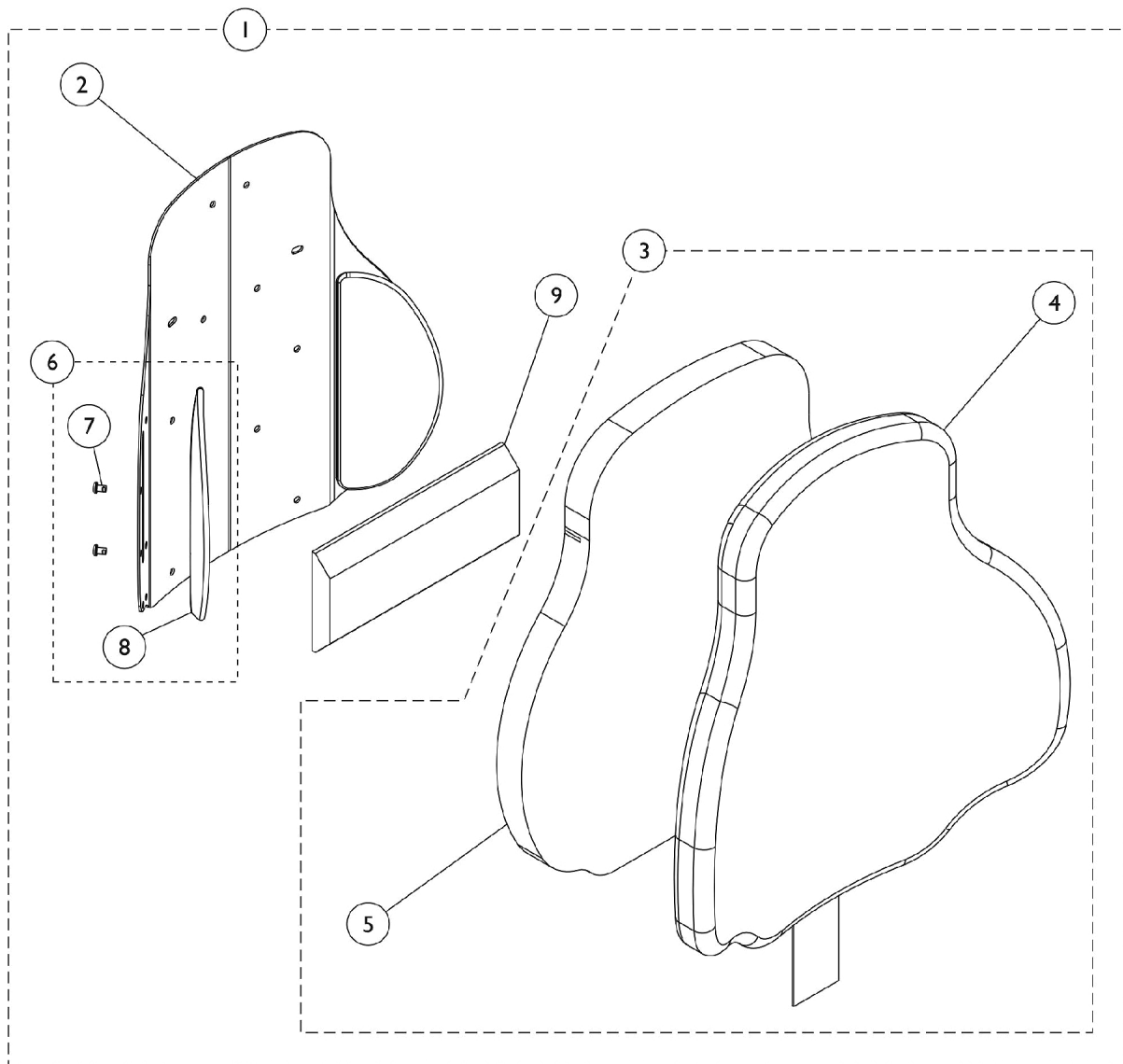


Curve Contoura Back w/o Mounting Hardware - After 5/14/09

NOTE: When changing seat width on any system that has Recline and Curve Contoura Seating (Tilt/Recline, Tilt/Recline/Elevate or Recline Only) you must First look up special quote # C-100628042246 for directions on how to order the Back and all additional components that may be required for changing seat width through the Equipment Configurator.

NOTE: Extruded back canes come in one back height only. Back cane material height for the contoura extruded back canes measure approximately 20-1/2". Overall back height from the seat pan to top of the extruded back cane is approximately 23". Only the Back Assembly needs to be replaced when changing back heights.



Curve Contoura Back w/o Mounting Hardware - After 5/14/09

NOTE: When changing seat width on any system that has Recline and Curve Contoura Seating (Tilt/Recline, Tilt/Recline/Elevate or Recline Only) you must First look up special quote # C-100628042246 for directions on how to order the Back and all additional components that may be required for changing seat width through the Equipment Configurator.

NOTE: Extruded back canes come in one back height only. Back cane material height for the contoura extruded back canes measure approximately 20-1/2". Overall back height from the seat pan to top of the extruded back cane is approximately 23". Only the Back Assembly needs to be replaced when changing back heights.

| Item Number | Note | Part Number | Description | Quantity Per | |
|-------------|------|-------------|--|--------------|----------|
| | | | | Package | Assembly |
| 1 | A | See Chart | #1 Curved Contoura Back Kit | 1 | 1 |
| 1 | A | See Chart | #1 Mesh Curved Contoura Back Kit (CTBMSH) | 1 | 1 |
| 3 | B | See Chart | #3 Curve Contoura Back Cushion Assembly | 1 | 1 |
| 3 | B | See Chart | #3 Mesh Curve Contoura Back Cushion Assembly (CTBMSH) | 1 | 1 |
| 6 | C | 1166151 | Kit, Lateral Support, Contoura Back (22" H) (Pair) | 1 | 1 |
| | | | Screw, Socket, Button (1/4-20 x 3/8") | 1 | 4 |
| | | | Support, Lateral (22" H) | 1 | 2 |
| 6 | C | 1163130-NLA | NLA - Kit, Lateral Support, Contoura Back (25" H) (Pair) | 1 | 1 |
| 7 | | | Screw, Socket, Button (1/4-20 x 3/8") | 1 | 4 |
| 8 | | | Support, Lateral (25" H) | 1 | 2 |
| 6 | C | 1163131-NLA | NLA - Kit, Lateral Support, Contoura Back (28" H) (Pair) | 1 | 1 |
| 7 | | | Screw, Socket, Button (1/4-20 x 3/8") | 1 | 4 |
| 8 | | | Support, Lateral (28" H) | 1 | 2 |
| 9 | | 1084410-NLA | NLA - Support, Lumbar - Large | 1 | 1 |

NOTE: A - Includes Items 2 thru 9.
B - Includes Items 4 and 5. Back Cover and Foam are sold as a Back Cushion Assembly only.
C - Included Items 7 and 8.

Item #2 is a non-saleable part. Refer to item #1 Kit when ordering.

#1 Curved Contoura Back Kit

| Overall Back Height | Material Back Height | 16" Wide | 18" Wide | 20" Wide | 22" Wide | 24" Wide |
|---------------------|----------------------|--------------------------|--------------------------|--------------------------|--------------------------|--------------------------|
| 22" High | 17" High | 1165846 See Note(s) A | 1165847 See Note(s) A | 1165848 See Note(s) A | 1165849 See Note(s) A | 1165850 See Note(s) A |
| 25" High | 20" High | 1161480 See Note(s) A | 1161482 See Note(s) A | 1161484 See Note(s) A | 1161486 See Note(s) A | 1161488 See Note(s) A |
| 28" High | 23" High | 1161481 See Note(s) A | 1161483 See Note(s) A | 1161485 See Note(s) A | 1161487 See Note(s) A | 1161489 See Note(s) A |

NOTE: A - Includes items 2-9

NOTE: When changing seat width on any system that has Recline and Curve Contoura Seating (Tilt/Recline, Tilt/Recline/Elevate or Recline Only) you must First look up special quote # C-100628042246 for directions on how to order the Back and all additional components that may be required for changing seat width through the Equipment Configurator.

Overall Back Height includes the spacing gap dimension from the bottom of the Back Assembly to the Seat Pan

Curve Contoura Back w/o Mounting Hardware - After 5/14/09

NOTE: When changing seat width on any system that has Recline and Curve Contoura Seating (Tilt/Recline, Tilt/Recline/Elevate or Recline Only) you must First look up special quote # C-100628042246 for directions on how to order the Back and all additional components that may be required for changing seat width through the Equipment Configurator.

NOTE: Extruded back canes come in one back height only. Back cane material height for the contoura extruded back canes measure approximately 20-1/2". Overall back height from the seat pan to top of the extruded back cane is approximately 23". Only the Back Assembly needs to be replaced when changing back heights.

#1 Mesh Curved Contoura Back Kit (CTBMSH)

| Overall Back Height | Material Back Height | 16" Wide | 18" Wide | 20" Wide | 22" Wide | 24" Wide |
|---------------------|----------------------|--------------------------|--------------------------|--------------------------|--------------------------|--------------------------|
| 22" High | 17" High | 1165837 See Note(s) A | 1165842 See Note(s) A | 1165843 See Note(s) A | 1165844 See Note(s) A | 1165845 See Note(s) A |
| 25" High | 20" High | 1164235 See Note(s) A | 1164237 See Note(s) A | 1164239 See Note(s) A | 1164241 See Note(s) A | 1164243 See Note(s) A |
| 28" High | 23" High | 1164236 See Note(s) A | 1164238 See Note(s) A | 1164240 See Note(s) A | 1164242 See Note(s) A | 1164244 See Note(s) A |

NOTE: A - Includes items 2-9

NOTE: When changing seat width on any system that has Recline and Curve Contoura Seating (Tilt/Recline, Tilt/Recline/Elevate or Recline Only) you must First look up special quote # C-100628042246 for directions on how to order the Back and all additional components that may be required for changing seat width through the Equipment Configurator.

Curve Contoura Back w/o Mounting Hardware - After 5/14/09

NOTE: When changing seat width on any system that has Recline and Curve Contoura Seating (Tilt/Recline, Tilt/Recline/Elevate or Recline Only) you must First look up special quote # C-100628042246 for directions on how to order the Back and all additional components that may be required for changing seat width through the Equipment Configurator.

NOTE: Extruded back canes come in one back height only. Back cane material height for the contoura extruded back canes measure approximately 20-1/2". Overall back height from the seat pan to top of the extruded back cane is approximately 23". Only the Back Assembly needs to be replaced when changing back heights.

#3 Curve Contoura Back Cushion Assembly

| Overall Back Height | Material Back Height | 16" Wide | 18" Wide | 20" Wide | 22" Wide | 24" Wide |
|---------------------|----------------------|------------------------------|--------------------------|--------------------------|--------------------------|------------------------------|
| 22" High | 17" High | 1166146 See Note(s) B | 1166147 See Note(s) B | 1166148 See Note(s) B | 1166149 See Note(s) B | 1166150 See Note(s) B |
| 25" High | 20" High | 1163248-NLA See Note(s) B | 1163250 See Note(s) B | 1163252 See Note(s) B | 1163254 See Note(s) B | 1163256 See Note(s) B |
| 28" High | 23" High | 1163249-NLA See Note(s) B | 1163251 See Note(s) B | 1163253 See Note(s) B | 1163255 See Note(s) B | 1163257-NLA See Note(s) B |

NOTE: B - Includes items 4 and 5. Back Cover and Foam are sold as a Back Cushion Assembly only.
Overall Back Height includes the spacing gap dimension from the bottom of the Back Assembly to the Seat Pan

#3 Mesh Curve Contoura Back Cushion Assembly (CTBMSH)

| Dimensions | 16" Wide | 18" Wide | 20" Wide | 22" Wide | 24" Wide |
|------------|------------------------------|------------------------------|------------------------------|------------------------------|------------------------------|
| 22" High | 1166141 See Note(s) B | 1166142 See Note(s) B | 1166143 See Note(s) B | 1166144 See Note(s) B | 1166145 See Note(s) B |
| 25" High | 1171642-NLA See Note(s) B | 1171644-NLA See Note(s) B | 1171646-NLA See Note(s) B | 1171648-NLA See Note(s) B | 1171650-NLA See Note(s) B |
| 28" High | 1171643-NLA See Note(s) B | 1171645-NLA See Note(s) B | 1171647-NLA See Note(s) B | 1171649-NLA See Note(s) B | 1171651-NLA See Note(s) B |

NOTE: B - Includes items 4 and 5. Back Cover and Foam are sold as a Back Cushion Assembly only.
Overall Back Height includes the spacing gap dimension from the bottom of the Back Assembly to the Seat Pan