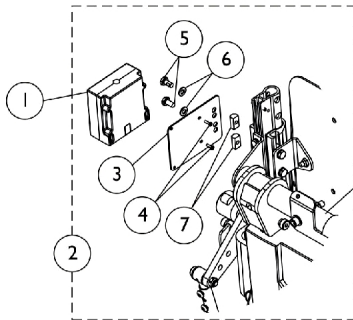
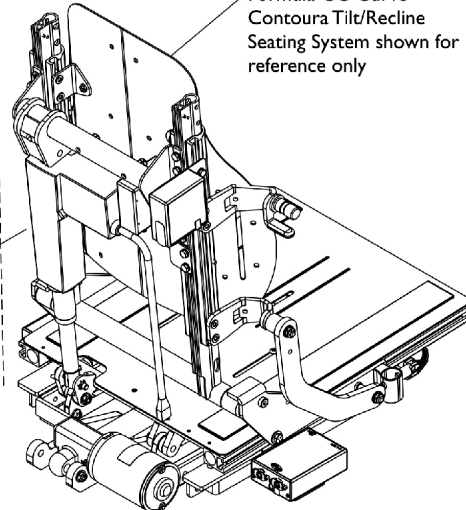


4-Way Switch Box (4WSB) and Multiple Actuator Interface Box (S4WSB) w/ Mounting Hardware CGTR/CGTRE - FDX

Must use a Four-Way Toggle Switch (FWT) or Quad Push Button (QPB) with a Four-Way Switch Box (4WSB). Multiple Actuator Interface Box (S4WSB) allows operation through the driver control.

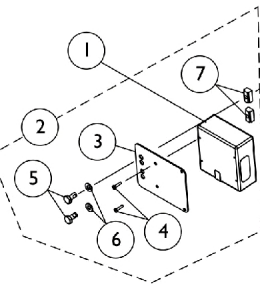


Partial view of Formula CG Curve Contoura Tilt/Recline Seating System shown for reference only

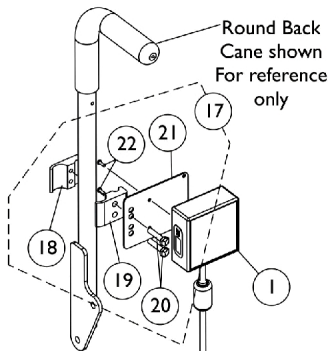


Formula CG Curve Contoura Tilt/Recline Seating System shown for reference only

4-Way Switch Box (4WSB) and Multiple Actuator Interface Box (S4WSB) Mounting Hardware For Curve Contoura Tilt/Recline Seating System with Cantilever Arms

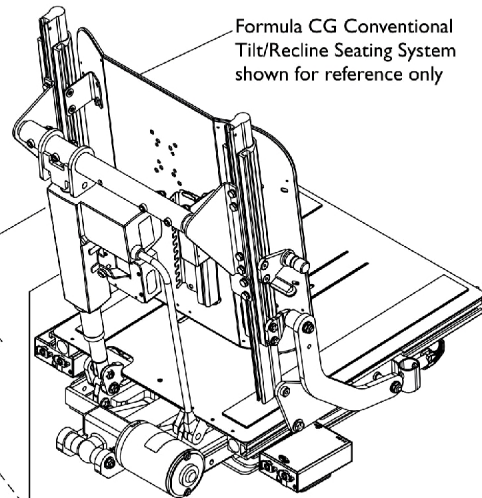


4-Way Switch Box (4WSB) and Multiple Actuator Interface Box (S4WSB) Mounting Hardware For Curve Contoura Tilt/Recline Seating System without Cantilever Arms

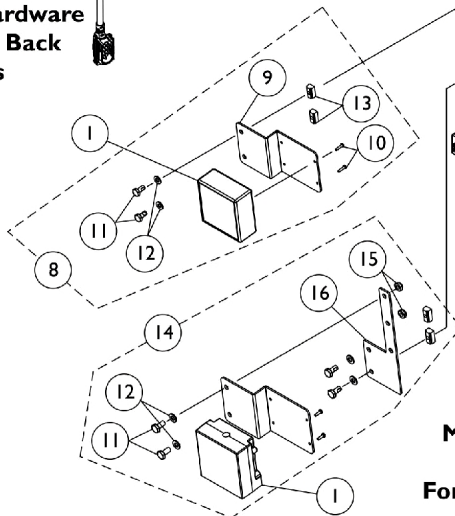


Round Back Cane shown For reference only

Mounting Hardware For Round Back Canes



Formula CG Conventional Tilt/Recline Seating System shown for reference only



4-Way Switch Box (4WSB) and Multiple Actuator Interface Box (S4WSB) Mounting Hardware For Conventional Tilt/Recline Seating System

4-Way Switch Box (4WSB) and Multiple Actuator Interface Box (S4WSB) w/ Mounting Hardware CGTR/CGTRE - FDX

Must use a Four-Way Toggle Switch (FWT) or Quad Push Button (QPB) with a Four-Way Switch Box (4WSB). Multiple Actuator Interface Box (S4WSB) allows operation through the driver control.

Item Number	Note	Part Number	Description	Quantity Per	
				Package	Assembly
1		1167923-NLA	NLA - 4 Way Switch Box Assembly (4WSB) (26" L)	1	1
1		1167922-NLA	NLA - Multiple Actuator Interface Box Assembly (S4WSB) (26" L)	1	1
2	A,C	1168676	Kit, 4WSB Mounting Hardware, Contoura	1	1
3			Plate, Mounting	1	1
4			Screw, Phillips Pan Head (#4-40 x 1/2")	1	2
5			Screw, Hex Head w/ Patch (1/4-20 x 1/2")	1	2
6			Washer (1/4 x 1/2 x 1/16")	1	2
7			T-Nut (1/4-20)	1	2
8	B	1168677-NLA	Kit, 4WSB Mounting Hardware, Conventional (16" - 17" W)	1	1
9			Bracket, Module, 4WSB, Conventional, Black (16" - 17" W)	1	1
10			Screw, Phillips Pan Head (#4-40 x 1/2")	1	2
11			Screw, Hex Head w/ Patch (1/4-20 x 1/2")	1	2
12			Washer (1/4 x 1/2 x 1/16")	1	2
13			T-Nut (1/4-20)	1	2
8	B	1168678-NLA	Kit, 4WSB Mounting Hardware, Conventional (18" - 19" W)	1	1
9			Bracket, Module, 4WSB, Conventional, Black (18" - 19" W)	1	1
10			Screw, Phillips Pan Head (#4-40 x 1/2")	1	2
11			Screw, Hex Head w/ Patch (1/4-20 x 1/2")	1	2
12			Washer (1/4 x 1/2 x 1/16")	1	2
13			T-Nut (1/4-20)	1	2
8	B	1168679	Kit, 4WSB Mounting Hardware, Conventional (20" - 21" W)	1	1
9			Bracket, Module, 4WSB, Conventional, Black (20" - 21" W)	1	1
10			Screw, Phillips Pan Head (#4-40 x 1/2")	1	2
11			Screw, Hex Head w/ Patch (1/4-20 x 1/2")	1	2
12			Washer (1/4 x 1/2 x 1/16")	1	2
13			T-Nut (1/4-20)	1	2
8	B	1168680	Kit, 4WSB Mounting Hardware, Conventional (22" W)	1	1
9			Bracket, Module, 4WSB, Conventional, Black (22" W)	1	1
10			Screw, Phillips Pan Head (#4-40 x 1/2")	1	2
11			Screw, Hex Head w/ Patch (1/4-20 x 1/2")	1	2
12			Washer (1/4 x 1/2 x 1/16")	1	2
13			T-Nut (1/4-20)	1	2
14	F	1170695-NLA	NLA - Kit, Adapter Plate and Hardware For Conventional Back w/ Cantilever Arms	1	1
11			Screw, Hex Head w/ Patch (1/4-20 x 1/2")	1	2

4-Way Switch Box (4WSB) and Multiple Actuator Interface Box (S4WSB) w/ Mounting Hardware CGTR/CGTRE - FDX

Must use a Four-Way Toggle Switch (FWT) or Quad Push Button (QPB) with a Four-Way Switch Box (4WSB). Multiple Actuator Interface Box (S4WSB) allows operation through the driver control.

Item Number	Note	Part Number	Description	Quantity Per	
				Package	Assembly
12			Washer (1/4 x 1/2 x 1/16")	1	2
15			Locknut (1/4-20)	1	2
16			Plate, Adapter, Black, For Conventional Back w/ Cantilever Arms	1	1
17	D	1142226	Kit, SNP/DI, 4WSB, S4WSB, GTAM, AUX12M6, AUX34M6, R/L Module Mounting Hardware For Round Back Canes	1	1
18			NLA - Half Clamp, Threaded Holes	1	1
19			Half Clamp, Non-Threaded Holes	1	1
20			NLA - Screw, Hex Head (1/4-20 x 1-1/8")	1	2
21			Plate, Mounting	1	1
22			Screw, Phillips Pan Head (#4-40 x 3/8")	1	2
			Tie Wrap (5-5/8" L)	1	5
	E	1095503-NLA	NLA - Package, Tie Wrap (5-5/8" L)	10	1

NOTE: A - Includes items 3-7.
 B - Includes items 9-13. When Cantilever Arms are used with a Conventional Back, item #14 must also be ordered to provide complete mounting hardware.
 C - (4WSB) 4 Way Switch Box and (S4WSB) Module use the same Mounting Hardware. When Cantilever Arms are ordered, the same Module Mounting Hardware is used and positioned in the upper left side of the seating system (as shown).
 D - Includes items 18-22 and (Tie Wraps not shown)
 E - Not Shown
 F - Includes items 11, 12, 15 and 16. When Cantilever Arms are used with a Conventional Back, item #8 in addition to item #14 Hardware is used. Item #14 illustrates how all the hardware lays out when Cantilever Arms are used.