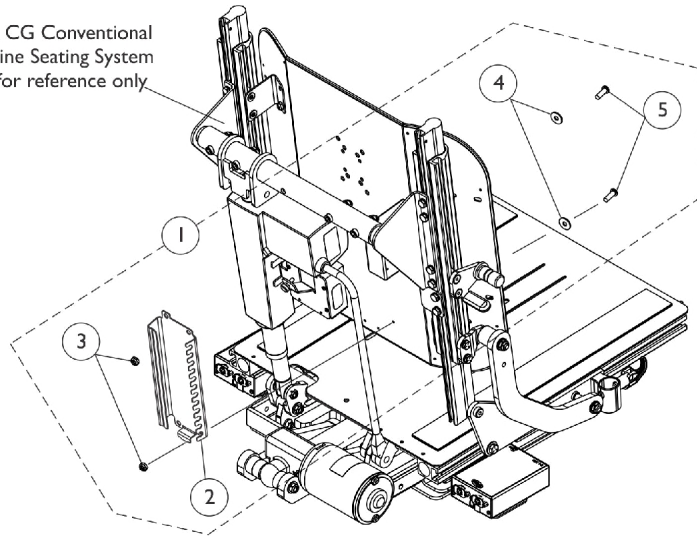
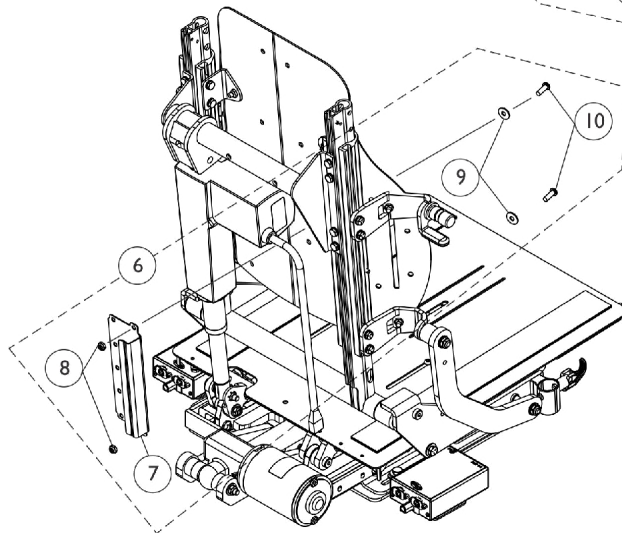


# MK6i Connector Bracket and Mounting Hardware CGTR/CGTRE - FDX

Formula CG Conventional  
Tilt/Recline Seating System  
shown for reference only

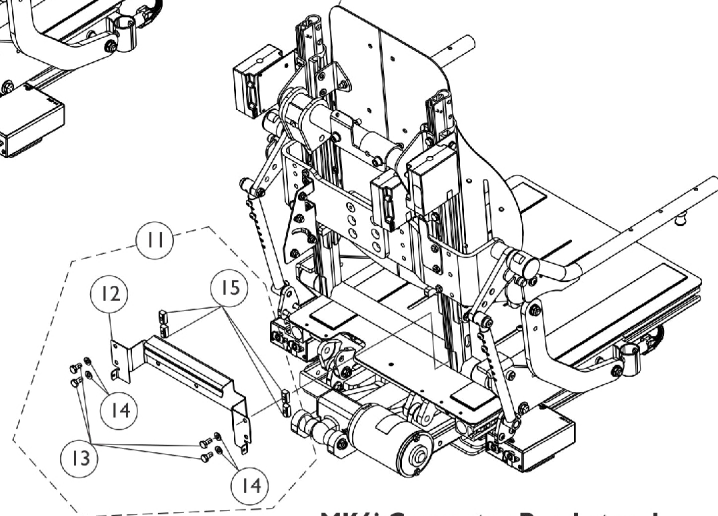


**MK6i Connector Bracket and  
Mounting Hardware For Conventional  
Tilt/Recline Seating System**



**MK6i Connector Bracket and  
Mounting Hardware  
For Curve Contoura Tilt/Recline  
Seating System without  
Cantilever Arms**

Formula CG Curve Contoura  
Tilt/Recline Seating System  
shown for reference only



**MK6i Connector Bracket and  
Mounting Hardware  
For Curve Contoura Tilt/Recline  
Seating System with Cantilever Arms**

## MK6i Connector Bracket and Mounting Hardware CGTR/CGTRE - FDX

Item Number	Note	Part Number	Description	Quantity Per	
				Package	Assembly
1	A	1169001-NLA	NLA - Kit, MK6i Connector Bracket and Mounting Hardware, Conventional	1	1
2			Bracket, MK6i Connector, Black	1	1
3			Locknut (1/4-20)	1	2
4			Washer (1/4 x 23/32 x 1/16")	1	2
5			Screw, Socket Button (1/4-20 x 3/4")	1	2
6	B	1169002-NLA	NLA - Kit, MK6i Connector Bracket and Mounting Hardware, Curve Contoura	1	1
7			Bracket, MK6i Connector, Black	1	1
8			Locknut (1/4-20)	1	2
9			Washer (1/4 x 23/32 x 1/16")	1	2
10			Screw, Socket Button (1/4-20 x 3/4")	1	2
11	C	1169838-NLA	NLA - Kit, MK6i Connector Bracket and Mounting Hardware, Curve Contoura w/ Cantilever Arms	1	1
12			Bracket, MK6i Connector, Black	1	1
13			Screw, Hex Head w/ Patch (1/4-20 x 1/2")	1	4
14			Washer (1/4 x 1/2 x 1/16")	1	4
15			T-Nut (1/4-20)	1	4
NOTE: A - Includes items 2-5 B - Includes items 7-10 C - Includes items 12-15					