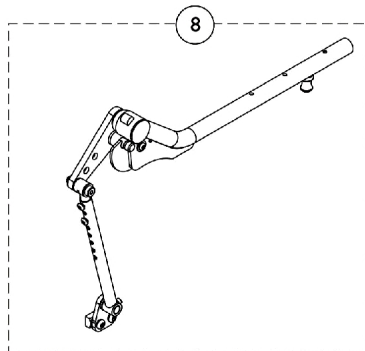
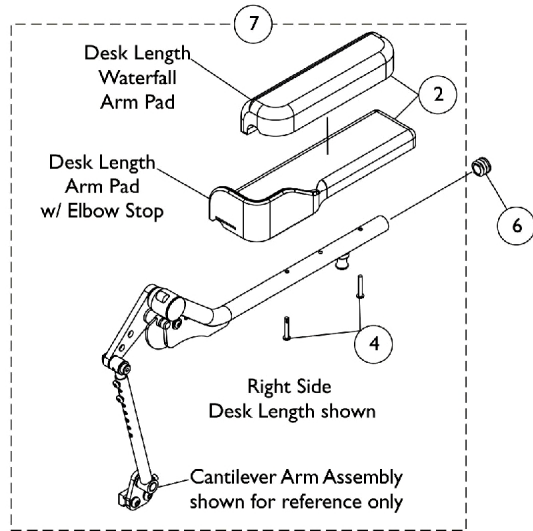
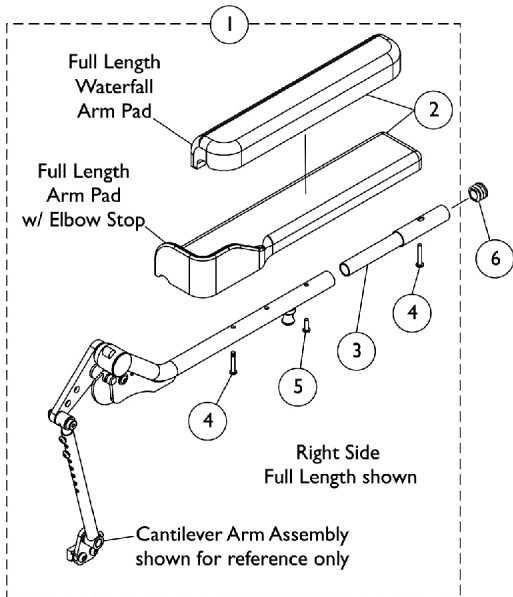
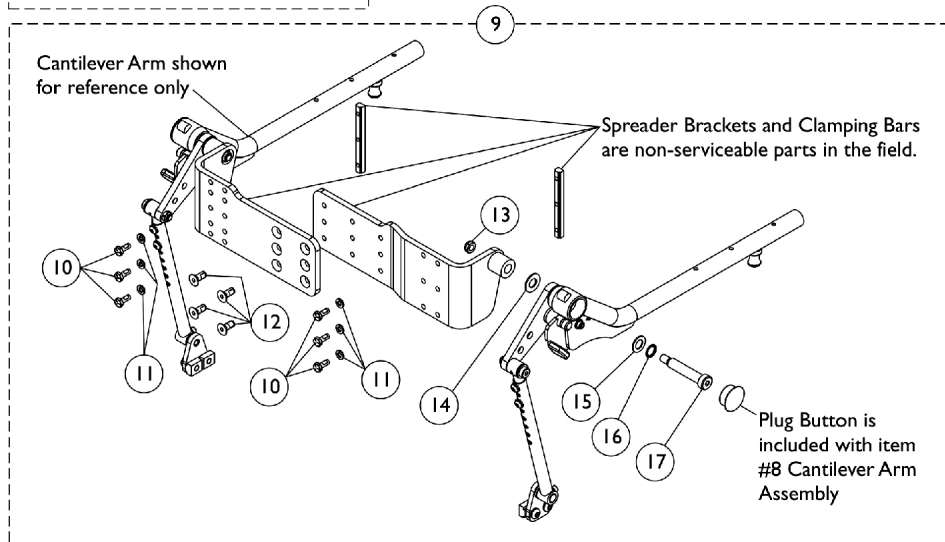
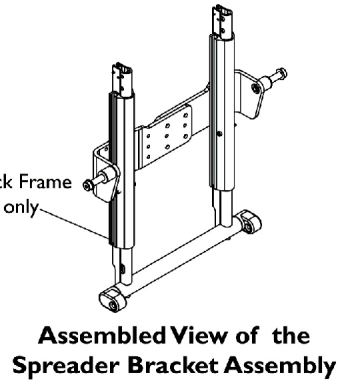


# Cantilever Arms - Curve Contoura CGTR/CGTRE



Curve Contoura Back Frame shown for reference only



## Cantilever Arms - Curve Contoura CGTR/CGTRE

Item Number	Note	Part Number	Description	Quantity Per	
				Package	Assembly
1	E,A	1168409	Kit, Full Length Waterfall Arm Pad w/ Extension Tube (13" L x 2-5/8" W)	1	1
2		1102585-NLA	NLA - Pad, Arm, Full Length, Urethane Waterfall, Black (13" L x 2-5/8" W)	1	1
4		1107155	Screw, Phillips Pan Head Tap (#10-32 x 1-1/4")	1	2
5		1028755	Screw, Phillips Pan Head (#10-32 x 5/8")	1	1
1	A	1169204	Kit, Full Length Arm Pad w/ Elbow Stop and Extension Tube - Right (17" L x 3" W)	1	1
2		1082912	Pad, Arm w/ Elbow Stop, Full Length, Urethane, Black - Right (17" L x 3" W)	1	1
4		1107155	Screw, Phillips Pan Head Tap (#10-32 x 1-1/4")	1	2
5		1028755	Screw, Phillips Pan Head (#10-32 x 5/8")	1	1
1	A	1169205	Kit, Full Length Arm Pad w/ Elbow Stop and Extension Tube - Left (17" L x 3" W)	1	1
2		1082913	Pad, Arm w/ Elbow Stop, Full Length, Urethane, Black - Left (17" L x 3" W)	1	1
4		1107155	Screw, Phillips Pan Head Tap (#10-32 x 1-1/4")	1	2
5		1028755	Screw, Phillips Pan Head (#10-32 x 5/8")	1	1
6		1027095	Plug Button, Black (7/8")	1	1
6		1130582	Package, Plug Button, Black (7/8")	10	1
7	B	1117328	Kit, Arm Pad w/ Screws, Full Length, Urethane Waterfall, Black (13" L x 2-5/8" W)	1	1
7	B	1117327	Kit, Arm Pad w/ Screws, Desk Length, Urethane Waterfall, Black (9" L x 2-5/8" W)	1	1
7	B	1090191	Kit, Arm Pad w/ Screws and Elbow Stop, Full Length, Urethane, Black (17" L x 3" W) (Pair)	1	1
2		1082912	Pad, Arm w/ Elbow Stop, Full Length, Urethane, Black - Right (17" L x 3" W)	1	1
2		1082913	Pad, Arm w/ Elbow Stop, Full Length, Urethane, Black - Left (17" L x 3" W)	1	1
4		1107155	Screw, Phillips Pan Head Tap (#10-32 x 1-1/4")	1	4
7	B	1090190	Kit, Arm Pad w/ Screws and Elbow Stop, Desk Length, Urethane, Black (13" L x 3" W) (Pair)	1	1
2		1082910	Pad, Arm w/ Elbow Stop, Desk Length, Urethane, Black - Right (13" L x 3" W)	1	1
2		1082911	Pad, Arm w/ Elbow Stop, Desk Length, Urethane, Black - Left (13" L x 3" W)	1	1
4		1107155	Screw, Phillips Pan Head Tap (#10-32 x 1-1/4")	1	4
8	C	1166870	Cantilever Arm Assembly, Desk Length, Recline - Right	1	1
8	C	1166871	Cantilever Arm Assembly, Desk Length, Recline - Left	1	1
9	D	1169839-NLA	NLA - Kit, Spreader Bracket Assembly Hardware	1	1

# Cantilever Arms - Curve Contoura

## CGTR/CGTRE

NOTE: A - Includes items 2-5. Item #3 is non-saleable as an individual part.  
B - Includes items 2 and 4.  
C - Individual parts are non-saleable for item #8 Desk Length Cantilever Arm Assembly. To create a Full Length Cantilever Arm Assembly w/ Arm Pad, order item #1, 6 and 8.  
D - Includes items 10-17. Items 13-17 will have (2) ea. in quantity to accommodate the right and left side Cantilever Arms.  
E - The Waterfall Arm Pad is interchangeable to the right or left side of the wheelchair.