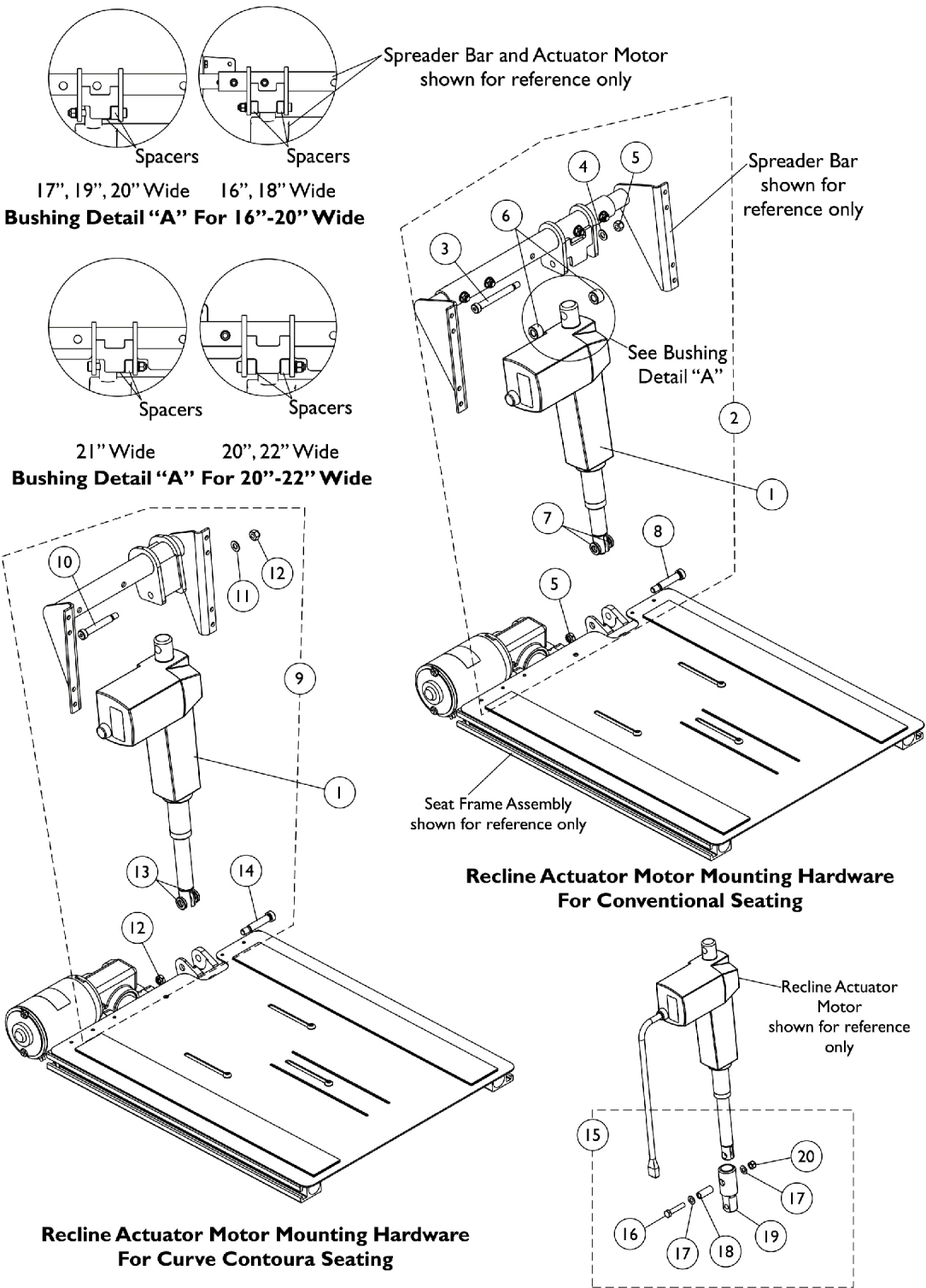


# Recline Actuator Motor and Mounting Hardware Conventional Motor



## Recline Actuator Motor and Mounting Hardware Conventional Motor

Item Number	Note	Part Number	Description	Quantity Per	
				Package	Assembly
1		1145486	Motor, CG Recline Actuator (Conventional)	1	1
2	A	1144592	Kit, Recline Actuator Motor Mounting Hardware Conventional CG	1	1
3			NLA - Screw, Shoulder Hex Socket Head (3/8 x 2-3/4", 5/16-18)	1	1
4			Washer, Flat (5/16 x 5/8 x 1/16")	1	1
5			Locknut (5/16-18)	1	2
6			Spacer (3/8 x 1 x 1/2")	1	2
7			NLA - Bushing, Actuator Motor (3/8 x 3/4 x 5/32")	1	2
8			Screw, Shoulder Hex Socket Head (3/8 x 1-1/2", 5/16-18)	1	1
9	B	1144593	Kit, Recline Actuator Motor Mounting Hardware Contoura/Curve Contoura CG	1	1
10			Screw, Shoulder Hex Socket (3/8 x 2", 5/16-18)	1	1
11			Washer, Flat (5/16 x 5/8 x 1/16")	1	1
12			Locknut (5/16-18)	1	2
13			NLA - Bushing, Actuator Motor (3/8 x 3/4 x 5/32")	1	2
14			Screw, Shoulder Hex Socket Head (3/8 x 1-1/2", 5/16-18)	1	1
15	C	1169834-NLA	NLA - Kit, Actuator Motor Assembly Extension, Recline	1	1

NOTE: A - Includes items 3-8.  
 B - Includes items 10-14.  
 C - Includes items 16-20. The Actuator Extension is only used when a Curve Contoura Seating System is ordered with Cantilever Arms. Individual parts are non-saleable.