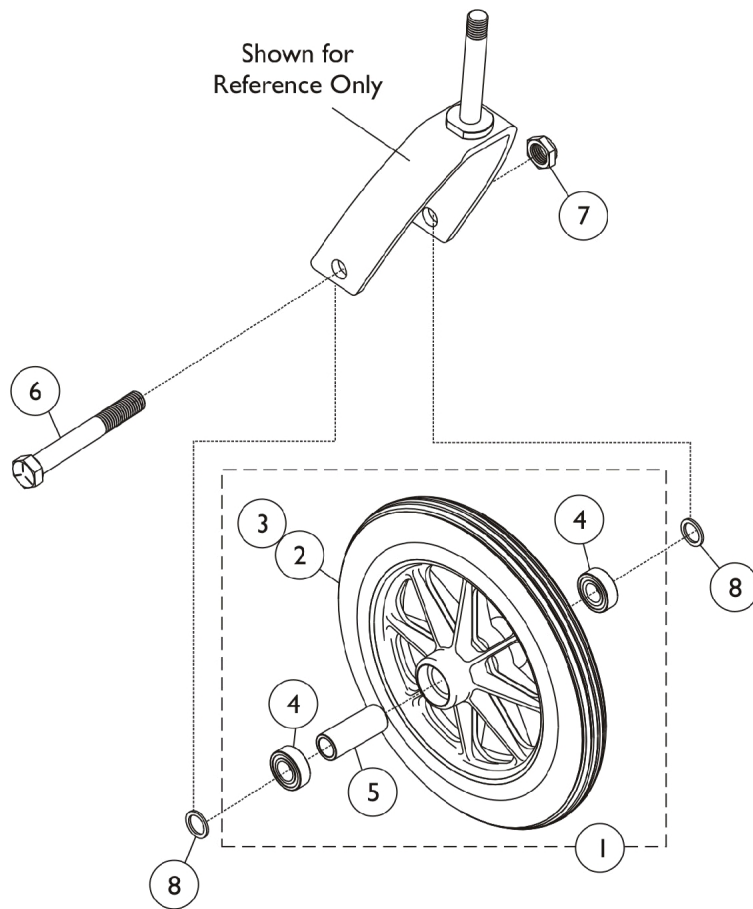


Front Casters and Mounting Hardware



Front Casters and Mounting Hardware

AT902, AT903, 1686, and 1251

| Wheel Description | AT902 Dark Grey, Composite, Urethane 3 spoke (6 x 1") | 1686 Light Grey, Composite, Urethane (6 x 1") | 1251 Light Grey Composite Pneumatic (8 x 2") | AT903 Composite, Urethane (8 x 1-1/4") |
|----------------------|---|--|---|--|
| 1. Wheel Assembly | 1034352 See Note(s) C, A | 1026956 See Note(s) A | 1002002 See Note(s) A | 1045813-NLA See Note(s) A |
| 2. Tire | N/A | N/A | 40176X034 | 1038157 |
| 3. Tube/ Insert | N/A | N/A | N/A | N/A |
| 4. Bearing | N/A | 40117X026 | 1006049 | 1010810 |
| 5. Hub Spacer | N/A | 1026172 | 1020592 | 1020592 |
| 6. Axle | 40317X002 | 40317X002 | 57667P007 | 57667P007 |
| 7. Locknut | 1107321 | 1107321 | 20225X000 | 20225X000 |
| 8. Spacer/ Washer | 1053202 | 1053202 | 1016032 | 1016032 |
| Caster Hardware Kits | 1061319 See Note(s) B | 1034103 See Note(s) B | 1034168 See Note(s) B | 1055179-NLA See Note(s) B |

NOTE: A - Includes items 2-5.
B - Includes items 6-8.
C - Consists of (2) Casters.

Front Casters and Mounting Hardware

1250, 1228, 1255, 1252, and 4252

| Wheel Description | 1250 Composite Solid Rubber (8 x 1") | 1228 Composite Semi-Pneumatic (8 x 1-3/4") | 1255 Dark Grey Composite Solid Rubber (8 x 1-1/4") | 1252 Composite Pneumatic (8 x 1-1/14") | 4252 Composite Pneumatic with Flat Free (3 x 1-1/4") |
|-------------------------|--|---|--|---|--|
| 1. Wheel Assembly | 1041591 See Note(s) A | 1070811 See Note(s) A | 1144243 See Note(s) A | 1041692 See Note(s) A | 1041688 See Note(s) A |
| 2. Tire | 1040144 See Note(s) B | N/A | Available thru kit only. | 40176X040 | 40176X040 |
| 3. Tube/ Insert | N/A | N/A | N/A | 40176X041 | 1010904-NLA |
| 4. Bearing | 1010810 | 1006049 | Available thru kit only. | 1010810 | 1010810 |
| 5. Hub Spacer | 1017828 | 1020592 | Available thru kit only. | 1020592 | 1020592 |
| 6. Axle | 57667P007 | 57667P007 | 57667P007 | 57667P007 | 57667P007 |
| 7. Locknut | 20225X000 | 20225X000 | 20225X000 | 20225X000 | 20225X000 |
| 8. Spacer Washer | 1016032 | 1016032 | 1016032 | 1016032 | 1016032 |
| Caster Hardware Kits | 1034168 See Note(s) D | 1034168 See Note(s) D | 1034168 See Note(s) D | 1034168 See Note(s) D | 1034168 See Note(s) D |
| NOTE: | A - Includes items 1-5. B - Effective 1/14/05, tire color changed from grey to light grey. Due to change, it is recommended tires be ordered in pairs. D - Includes items 6-8. | | | | |