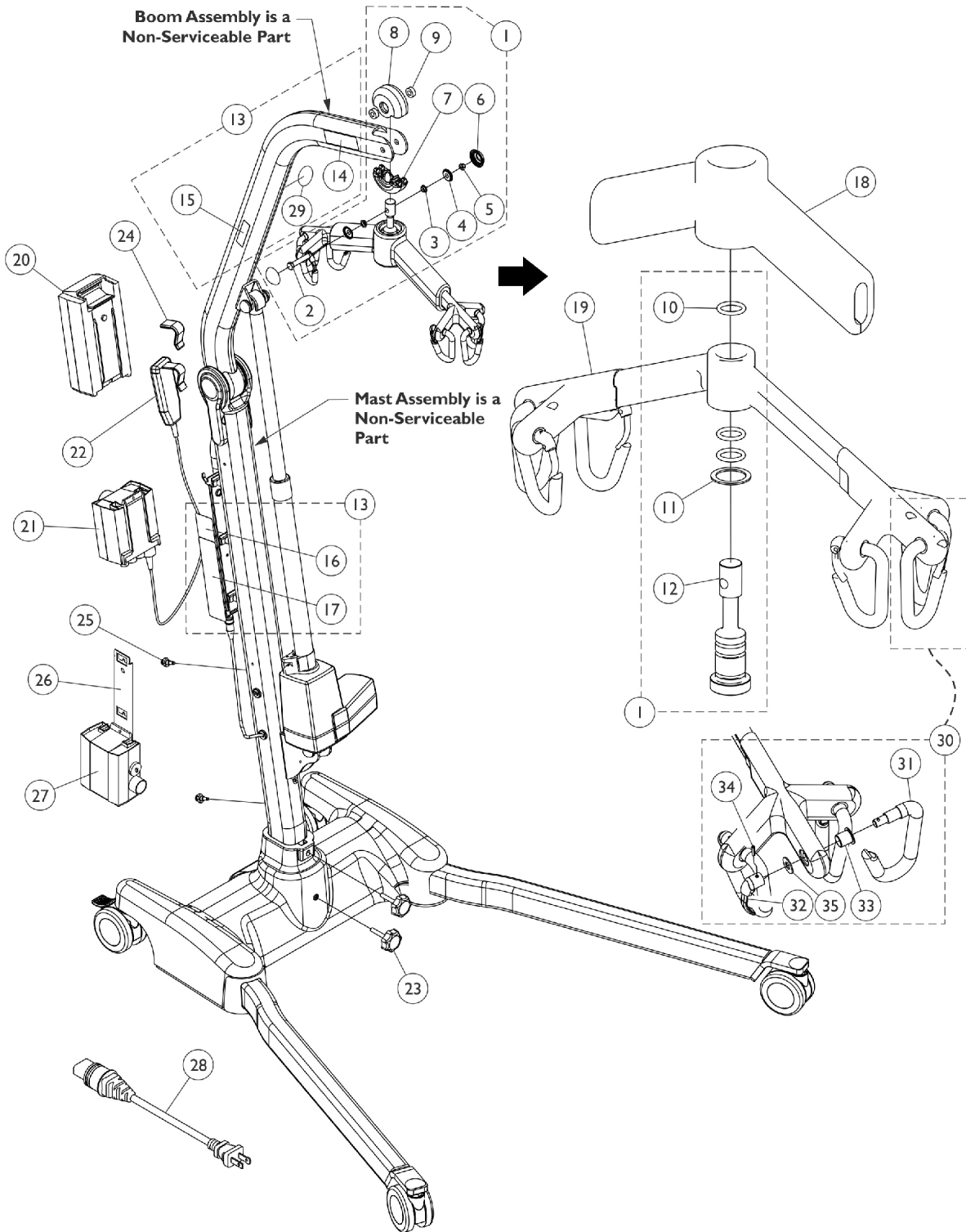


# Jasmine Full Body Lift - Labels, Hanger Bar, Battery Pack, Controller and Hand Control (Before 9/2/11)



# Jasmine Full Body Lift - Labels, Hanger Bar, Battery Pack, Controller and Hand Control (Before 9/2/11)

Item Number	Note	Part Number	Description	Quantity Per	
				Package	Assembly
1		1161581	Kit, Hanger Bar Hardware	1	1
2			Screw, Shoulder Hex Head (3/8-24 x 2", 5/8-16)	1	1
3			Bearing, Flanged (21/32 x 29/32 x 3/16")	1	2
4			Washer, Caplugs, Boom	1	2
5			Nut, Lock, Hex (5/16-18)	1	1
6			Rubber Cover, Screw Cap, Hanger	1	3
7			Rubber Cover, Boom and Hanger, Bottom	1	1
8			Rubber Cover, Boom and Hanger, Top	1	1
9			Spacer, Nylon (13/32 x 13/16 x 5/16")	1	2
10			O-Ring	1	3
11			Washer, Nylon (1-1/8 x 1-1/2 x 1/16")	1	1
12			Pin, Hanger	1	1
13		1161592-NLA	NLA - Kit, Label and Decal	1	1
14			Label, Sling	1	1
15			Decal, Jasmine	1	1
16			Label, Warning Bolt Mast	1	1
17			Label, Warning, Jasmine, 500 Pound	1	1
29			Decal, Invacare Logo	1	1
18		1148566-NLA	NLA - Pad, Hanger, Bar	1	1
19		1152392	Hanger Bar Assembly	1	1
20		1152383	Battery Pack	1	1
21		1156004	Controller (Linak Number: CBJ1-C001-01) Analog Elec.	1	1
22		1177606	Pendant, Four Channel w/ Hook (Linak Number: HB30006-XX) Analog Elec.	1	1
23		1148489	Knob, M8	1	2
24		1161593	Package, Rubber Clip	10	1
25		1161589-NLA	NLA - Package, Screw, Charger Bracket and Mast	10	1
26		1078306	Bracket, Wall Mount Charger	1	1
27		1152391	Charger, Wall	1	1
28		1079133	Cord, Power, USA	1	1
30	C	1155346	Kit, Clips and Hooks - Jasmine Hanger Bar	1	1
31			Hook, Bar Hanger	6	1
32			Bar Hanger Cover Assembly	6	1
33			Bushing, Bar Hanger	6	1
34			Pin, Hook Bar Hanger	6	1
35			Washer	6	1

NOTE: C - Includes items 31 - 35.