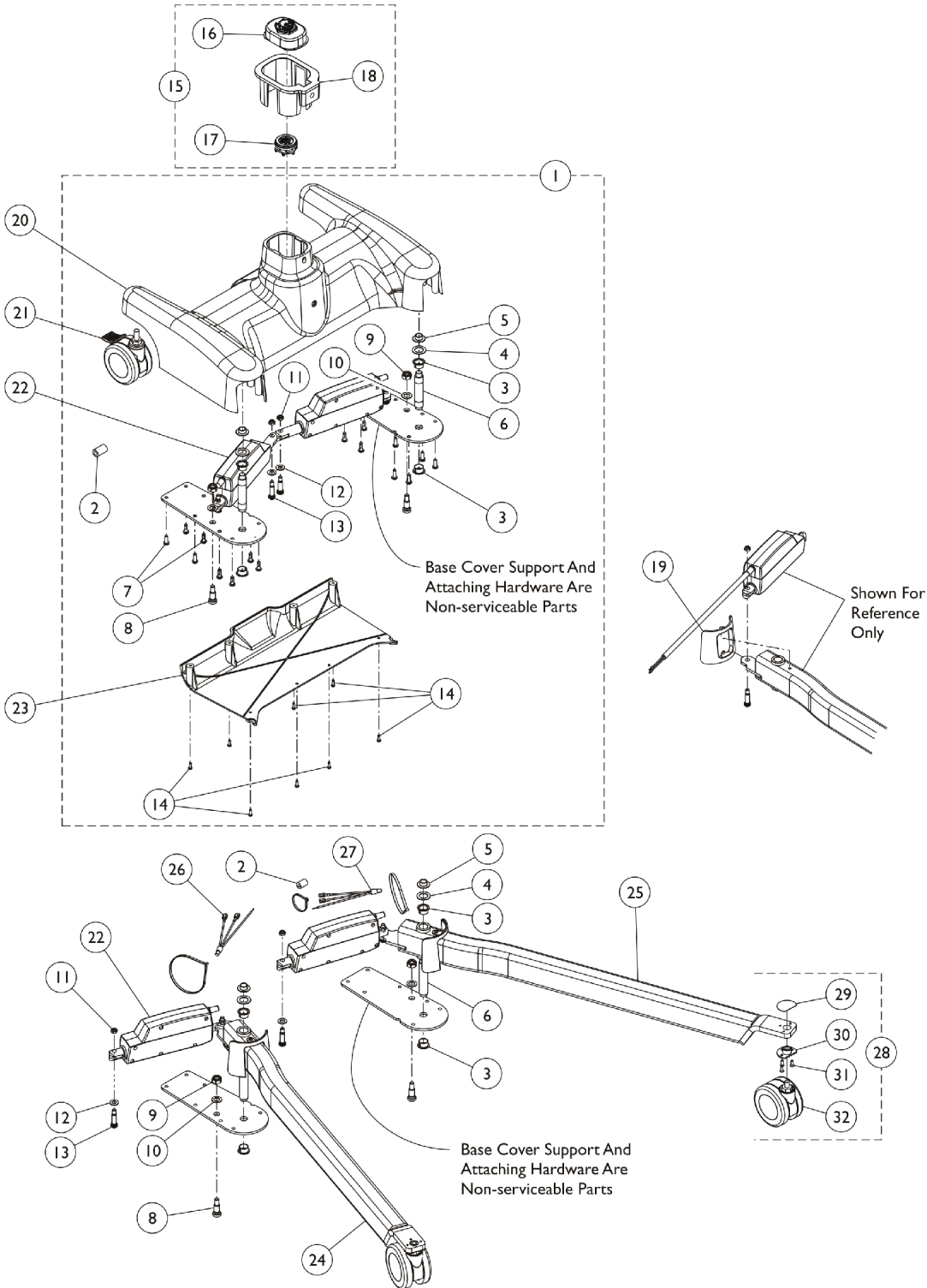


Roze Stand Up Lift - Base Assembly (Before 8/30/11)



Roze Stand Up Lift - Base Assembly (Before 8/30/11)

Item Number	Note	Part Number	Description	Quantity Per	
				Package	Assembly
1	A	1169844-NLA	NLA - Kit, Base Hardware	1	1
2			EMI Core	1	1
3			Bearing, Teflon, Flanged	1	4
4			Washer (3/4 x 1-3/16 x 1/32")	1	2
5			Bushing, Flanged (1/2 x 5/8 x 3/8)	1	2
6			Pin (3/4 x 3-3/4")	1	2
7			Screw, Socket Head (1/4-20 x 3/4")	1	16
8			Bolt, Kick Prevent	1	2
9			Nut, Lock, Hex (M12 x 1.75)	1	2
10			Washer (1/2 x 7/8 x 3/64")	1	2
11			Nut, Lock, Hex (5/16-18)	1	2
12			Washer, Nylon (3/8 x 3/4 x 1/16")	1	2
13			Screw, Shoulder, Socket Head (3/8 x 1", 5/16-18)	1	4
14			Screw, Phillips, Pan Head (8-32 x 1/2")	1	8
15	C	1161588-NLA	NLA - Kit, Mast / Base Socket	1	1
16			Conduct Cover Mast Assembly	1	1
17			Electric Jointer Assembly	1	1
18			Shroud, Base	1	1
19		1161591	Kit, Toe Protection (Pair)	1	1
			Protection, Toe	1	2
20	E	1148593-NLA	NLA - Base, Aluminum	1	1
20		1171524-NLA	NLA - Base, Aluminum	1	1
21		1148605	Caster, Rear w/ M12 Bolt	1	2
22		1148482	Motor, Actuator	1	2
23		1148607	Cover, Base, Plastic - Blue	1	1
24		1146888	Leg Assembly, Stand Up, Roze, White - Right	1	1
25		1146887	Leg Assembly, Stand Up, Roze, White - Left	1	1
	D	1161583	Kit, Controller Wire	1	1
			Cable, Base to Controller	1	1
26			Wire, Brown, Motor Actuator	1	1
27			Wire, Blue, Motor Actuator	1	1
28	B	1161582	Kit, Front Caster and Hardware (Pair)	1	1
29			Mylar, Bracket Leg	1	2
30			Bushing, Plate Leg	1	2
31			Screw, Phillips, Flat Head (M5 x 11mm)	1	6
32			Caster, Front w/ M12 Bolt	1	2

NOTE: A - Includes Items 2-14.
 B - Includes Items 29-32.
 C - Includes Items 16-18. Special Note: Item 16 mounts inside Roze Mast Assembly.
 D - Cable, Base to Controller is not shown on illustration. See Page titled "Roze Full Body Lift Mast/Boom Assembly".
 E - No Longer Available, please use 1171524 as its replacement.