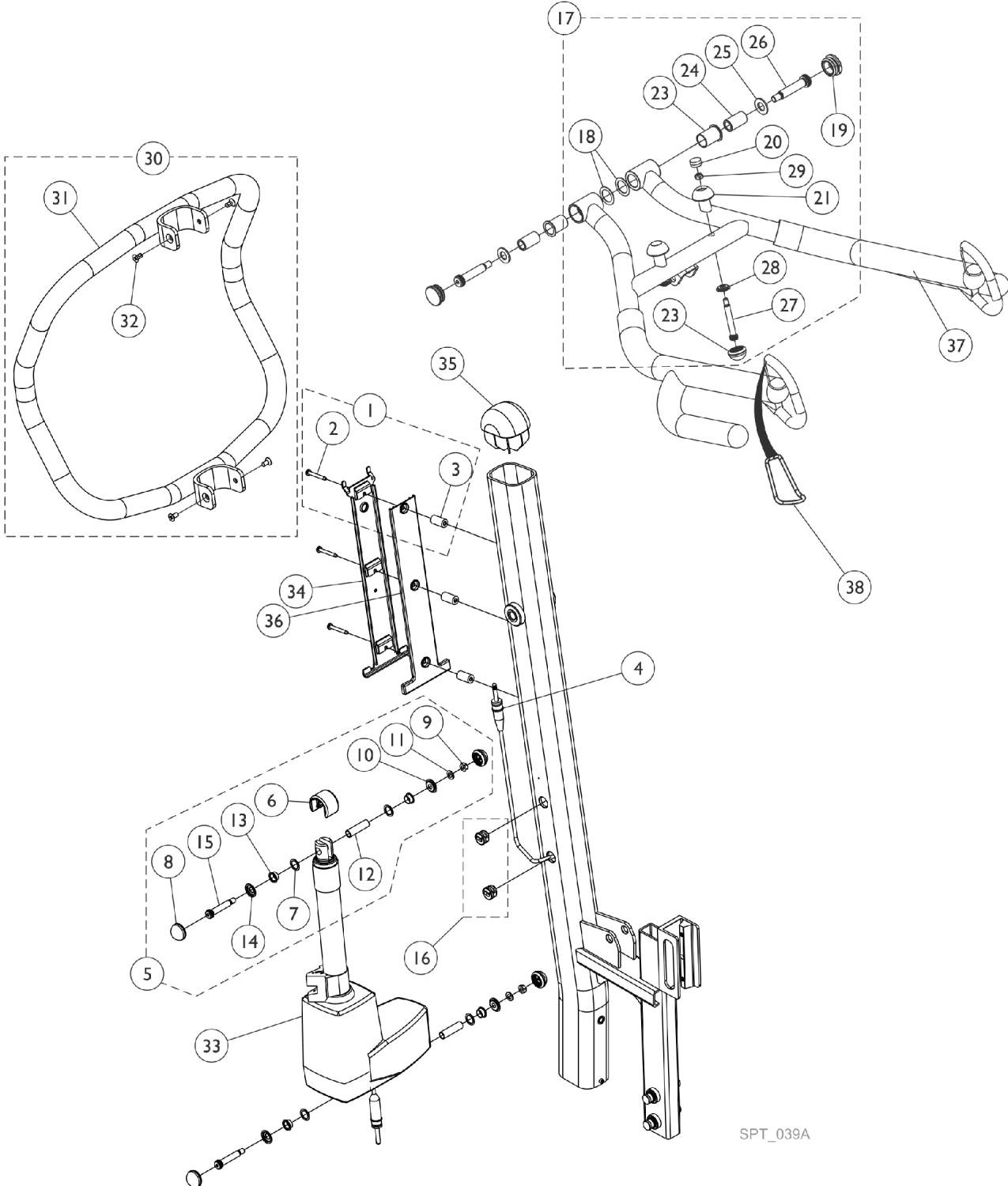


Roze Stand Up Lift - Mast and Boom Assembly



Roze Stand Up Lift - Mast and Boom Assembly

Item Number	Note	Part Number	Description	Quantity Per	
				Package	Assembly
1	A	1161590	Kit, Battery Bracket Hardware	1	1
2			Screw, Phillips, Pan Head (10-32 x 1 1/2")	1	3
3			Spacer, Battery	1	3
4	B	1161583	Kit, Controller Wire	1	1
			Cable, Base to Controller	1	1
			Wire, Brown, Motor Actuator	1	1
			Wire, Blue, Motor Actuator	1	1
5	C	1161598	Kit, Mast Actuator Mounting Hardware	1	1
6			Cap, Actuator	1	1
7			Washer, Nylon (9/16 x 25/32 x 1/32")	1	4
8			Cap, Nut, Actuator, Rubber	1	4
9			Nut, Lock, Hex (5/16-18)	1	2
10			Washer, Nut, Actuator	1	2
11			Washer, Flat (21/64 x 37/64 x 1/2")	1	2
12			Bushing (3/8 x 1/2 x 1-23/32")	1	2
13			Bearing, Flanged (1/2 x 9/16 x 9/32")	1	4
14			Washer, Screw, Actuator	1	2
15			Screw, Shoulder Hex Socket Head (3/8 x 1-11/16", 5/16-18)	1	2
16		1161587-NLA	NLA - Package, Wire Lock	10	1
17	D	1161597	Kit, Lifting Arm Mounting Hardware	1	1
18			Washer, Nylon (55/64" x 1 1/4" x 1/32")	1	2
19			Plug, Tube (1 1/4")	1	2
20			Cap, Hook	1	2
21			Knob, Hook, Black	1	2
22			Cap, Nut, Actuator, Rubber	1	2
23			Bushing, Mast, Bronze	1	2
24			Bushing (1/2" x 3/4" x 1 3/8")	1	2
25			Washer, Plain (1/2" x 1" x 5/64")	1	2
26			Screw, Shoulder Hex Socket Head (1/2 x 2", 3/8-16)	1	2
27			Screw, Shoulder Hex Socket Head (3/8 x 2 1/4", 5/16-18)	1	2
28			Washer, Nut, Actuator	1	2
29			Nut, Lock, Hex (5/16-18)	1	2
			Instruction Sheet, Lifting Arm	1	1
30	E	1161580	Kit, Push Handle, Blue	1	1
31			Push Handle Assembly, Blue	1	1
32			Screw, Phillips, Flat Head (1/4-20 X 1/2")	1	4
33		1148550	Motor, Actuator	1	1
34		1078284	Bracket, Battery - Electric Only	1	1
35		1148545-NLA	NLA - Plug, Cover	1	1
36		1155348	Cover, Battery, Bracket	1	1
37	F	1148554	Boom, Roze Stand Up, White	1	1
38		1155290	Ring, Boom, Roze	1	1

Roze Stand Up Lift - Mast and Boom Assembly

NOTE: A - Includes Item 2 and 3.
B - Motor Actuator wires are not shown, see page titled "Roze Stand Up Lift Base Assembly"
C - Includes Items 6 thru 15.
D - Includes Items 18 thru 29. Instruction Sheet not shown on illustration.
E - Includes Items 32 and 33.
F - Item 38 Boom Ring is not included with Item 37 Boom.