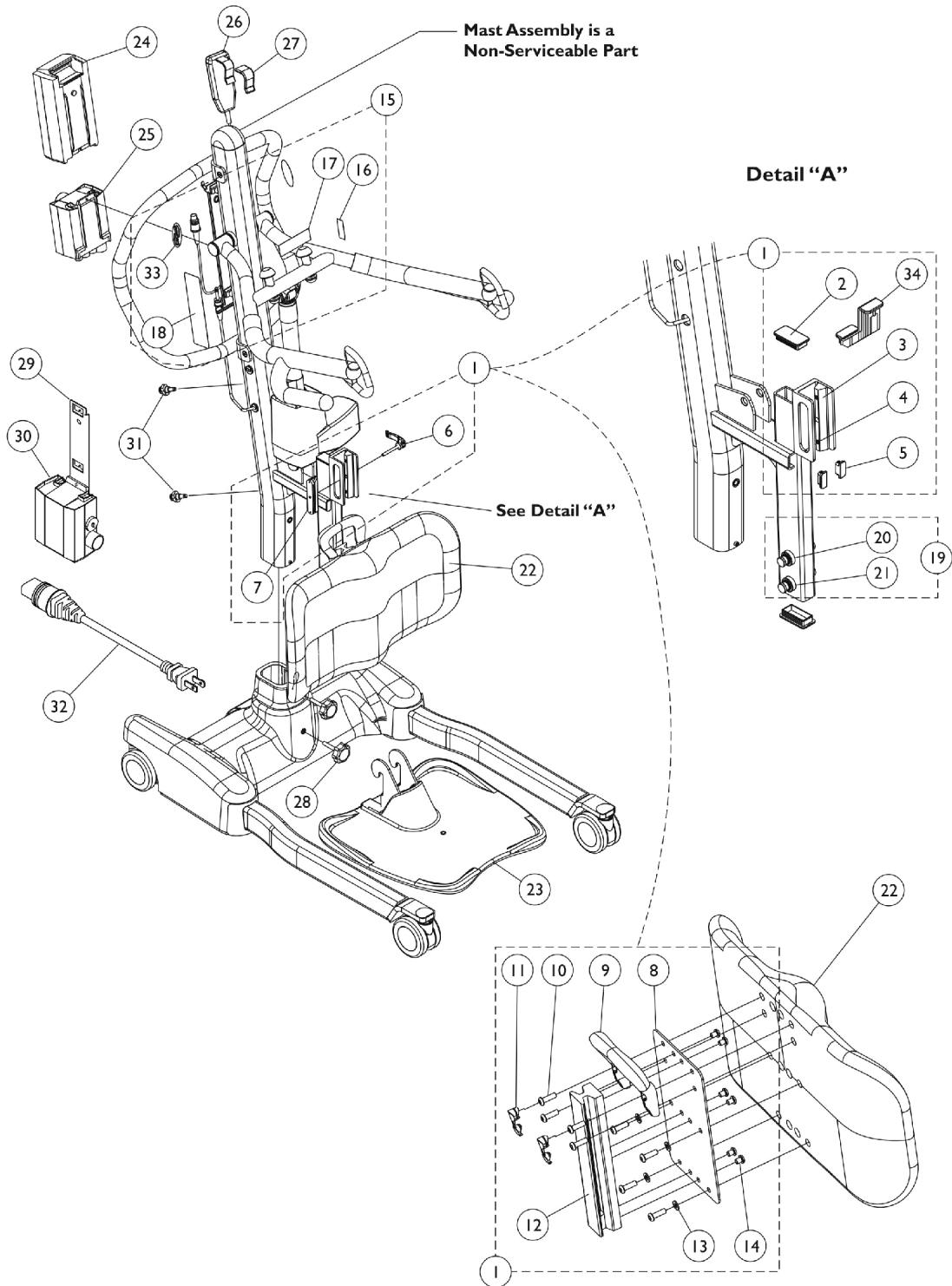


# Roze Stand Up Lift

## Labels, Hanger Hardware, Battery Pack, Controller and Hand Control (Before 8/30/11)



# Roze Stand Up Lift

## Labels, Hanger Hardware, Battery Pack, Controller and Hand Control (Before 8/30/11)

| Item Number | Note        | Part Number                                    | Description                                    | Quantity Per  |          |   |
|-------------|-------------|--|--|---|----------|---|
|             |             |  |  | Package   | Assembly |   |
| 1           | A           | 1161594  | Kit, Knee Pad Mounting Hardware                | 1   | 1        |   |
| 2           |             |  | Plug, Tube (1-3/16 x 2-1/4")                   | 1   | 2        |   |
| 3           |             |  | Rubber, Knee Pad Fixed                         | 1   | 1        |   |
| 4           |             |  | Screw, Phillips, Pan Head, Machine (M3 x 14mm) | 1   | 4        |   |
| 5           |             |  | Cover, Tube Support Knee Pad                   | 1   | 2        |   |
| 6           |             |  | Knob, Quick Release                            | 1   | 1        |   |
| 7           |             |  | Knee Flex Pad Adjustment Assembly              | 1   | 1        |   |
| 8           |             |  | Plate, Knee Rest, Front                        | 1   | 1        |   |
| 9           |             |  | Handle, Knee Pad                               | 1   | 1        |   |
| 10          |             |  | Screw, Socket Button Head (5/16-18 x 1")       | 1   | 8        |   |
| 11          |             |  | Rubber, Knee Pad Handle                        | 1   | 2        |   |
| 12          |             |  | Guide Plate, Knee Pad                          | 1   | 1        |   |
| 13          |             |  | Washer, Plain (21/64 x 5/8 x 3/64")            | 1   | 4        |   |
| 14          |             |  | Screw, Socket Button Head (5/16-18 x 3/8")     | 1   | 6        |   |
| 34          | B           | 1169845  | Cover, Tube, Knee Pad                          | 1   | 1        |   |
| 15          |             |  | NLA - Kit, Label and Decals, Roze              | 1   | 1        |   |
| 16          |             |  | Decal, Roze Lift                               | 1   | 1        |   |
| 17          |             |  | Label, Sling                                   | 1   | 1        |   |
| 18          |             |  | Label, Warning, Roze 450 Lbs.                  | 1   | 1        |   |
| 29          | C           | 1161595  | Decal, Invacare Logo                           | 1   | 2        |   |
| 19          |             |  | Kit, Footplate Hanger Hardware                 | 1   | 1        |   |
| 20          |             |  | Retaining Ring                                 | 1   | 4        |   |
| 21          |             |  | Pin, Foot Plate                                | 1   | 2        |   |
| 22          |             |  | 1148516  | Knee Pad Assembly, Blue   | 1        | 1 |
| 23          |             |  | 1148520  | Footplate Assembly w/ Cover, Blue                                     | 1        | 1 |
| 24          |             |  | 1152383  | Battery Pack  | 1        | 1 |
| 25          |             |  | 1156004  | Controller (Linak Number: CBJ1-C001-01) Analog Elec.                  | 1        | 1 |
| 26          |             |  | 1177606  | Pendant, Four Channel w/ Hook (Linak Number: HB30006-XX) Analog Elec. | 1        | 1 |
| 27          |             |  | 1161593  | Package, Rubber Clip  | 10       | 1 |
| 28          |             |  | 1148489  | Knob, M8  | 1        | 2 |
| 29          |             |  | 1078306  | Bracket, Wall Mount Charger   | 1        | 1 |
| 30          | 1152391     | Charger, Wall                                  | 1  | 1   |          |   |
| 31          | 1161589-NLA | NLA - Package, Screw, Charger Bracket and Mast | 10   | 1   |          |   |
| 32          | 1079133     | Cord, Power, USA                               | 1  | 1   |          |   |

NOTE: A - Includes Items 2 - 14 and 34.  
 B - Includes Items 16 - 18 and 33.  
 C - Includes Items 20 and 21.