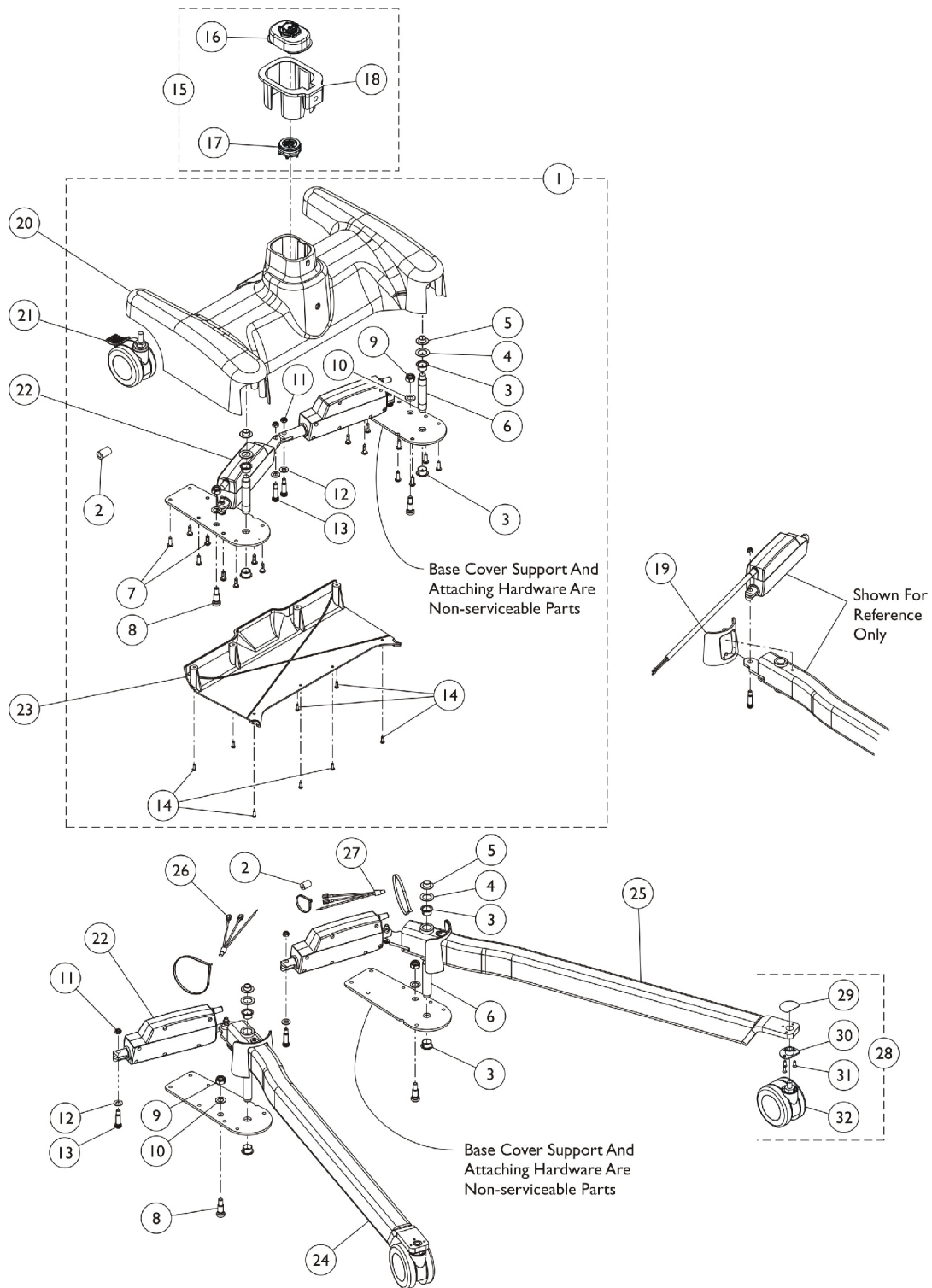


# Jasmine Full Body Lift - Base Assembly



## Jasmine Full Body Lift - Base Assembly

| Item Number | Note    | Part Number                                     | Description                                      | Quantity Per                |          |   |
|-------------|---------|---|--|-----------------------------|----------|---|
|             |         |   |  | Package                     | Assembly |   |
| 1           | A       | 1169844   | Kit, Base Hardware                               | 1                           | 1        |   |
| 2           |         |   | EMI Core   | 1                           | 1        |   |
| 3           |         |   | Bearing, Teflon, Flanged                         | 1                           | 4        |   |
| 4           |         |   | Washer (3/4 x 1-3/16 x 1/32")                    | 1                           | 2        |   |
| 5           |         |   | Bushing, Flanged (1/2 x 5/8 x 3/8)               | 1                           | 2        |   |
| 6           |         |   | Pin (3/4 x 3-3/4")                               | 1                           | 2        |   |
| 7           |         |   | Screw, Socket Head (1/4-20 x 3/4")               | 1                           | 16       |   |
| 8           |         |   | Bolt, Kick Prevent                               | 1                           | 2        |   |
| 9           |         |   | Nut, Lock, Hex (M12 x 1.75)                      | 1                           | 2        |   |
| 10          |         |   | Washer (1/2 x 7/8 x 3/64")                       | 1                           | 2        |   |
| 11          |         |   | Nut, Lock, Hex (5/16-18)                         | 1                           | 2        |   |
| 12          |         |   | Washer, Nylon (3/8 x 3/4 x 1/16")                | 1                           | 2        |   |
| 13          |         |   | Screw, Shoulder, Socket Head (3/8 x 1", 5/16-18) | 1                           | 4        |   |
| 14          |         |   | Screw, Phillips, Pan Head (8-32 x 1/2")          | 1                           | 8        |   |
| 15          | D       | 1161588   | Kit, Mast / Base Socket                          | 1                           | 1        |   |
| 16          |         |   | Conduct Cover Mast Assembly                      | 1                           | 1        |   |
| 17          |         |   | Electric Joints Assembly                         | 1                           | 1        |   |
| 18          |         |   | Shroud, Base                                     | 1                           | 1        |   |
| 19          |         |   | 1161591  | Kit, Toe Protection (Pair)  | 1        | 1 |
|             |         |   |  | Protection, Toe             | 1        | 2 |
| 20          |         |   | 1148593  | Base, Aluminum              | 1        | 1 |
| 21          |         |   | 1148605  | Caster, Rear w/ M12 Bolt    | 1        | 2 |
| 22          |         |   | 1148482  | Motor, Actuator             | 1        | 2 |
| 23          |         |   | 1148607  | Cover, Base, Plastic - Blue | 1        | 1 |
| 24          | 1146886 | Leg Assembly, Full Body, Jasmine, White - Right | 1  | 1                           |          |   |
| 25          | 1146885 | Leg Assembly, Full Body, Jasmine, White - Left  | 1  | 1                           |          |   |
|             | E       | 1161583   | Kit, Controller Wire                             | 1                           | 1        |   |
|             |         |   | Cable, Base to Controller                        | 1                           | 1        |   |
| 26          |         |   | Wire, Brown, Motor Actuator                      | 1                           | 1        |   |
| 27          |         |   | Wire, Blue, Motor Actuator                       | 1                           | 1        |   |
| 28          | C       | 1161582   | Kit, Front Caster and Hardware (Pair)            | 1                           | 1        |   |
| 29          |         |   | Mylar, Bracket Leg                               | 1                           | 2        |   |
| 30          |         |   | Bushing, Plate Leg                               | 1                           | 2        |   |
| 31          |         |   | Screw, Phillips, Flat Head (M5 x 11mm)           | 1                           | 6        |   |
| 32          |         |   | Caster, Front w/ M12 Bolt                        | 1                           | 2        |   |

NOTE: A - Includes Items 2-14.  
 C - Includes Items 30-33.  
 D - Includes Items 16-18. Special Note: Item 16 mounts inside Jasmine Mast Assembly.  
 E - Cable, Base to Controller is not shown on illustration. See Page titled "Jasmine Full Body Lift Mast/Boom Assembly".