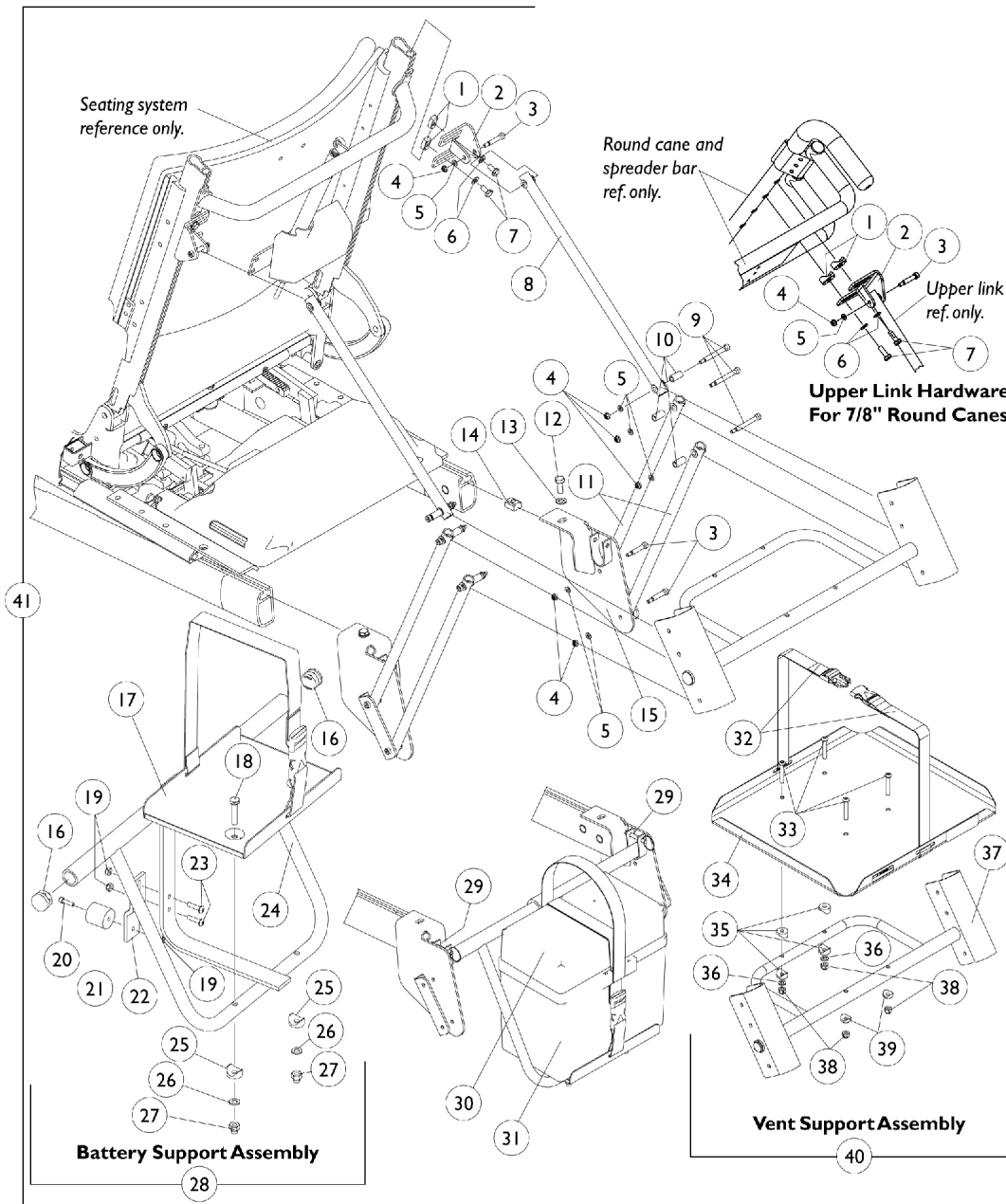


# Vent Tray Assembly (RWD)

Vent Tray Assembly is not available when a TRBKTS Option is used



# Vent Tray Assembly (RWD)

Vent Tray Assembly is not available when a TRBKTS Option is used

Item Number	Note	Part Number	Description	Quantity Per	
				Package	Assembly
1	B	1082699	T-Nut (1/4-20)	1	4
1	C	1082908-NLA	NLA - Spacer, Coved (5/16 x 29/32 x 7/16")	1	4
2		1097191-NLA	NLA - Bracket, Upper Link, Black	1	2
3		1098289-NLA	NLA - Screw, Shoulder Hex Socket Head (1/4 x 1", #10-24)	1	6
4		1026035-NLA	NLA - Locknut (#10-24)	1	12
5		1095360-NLA	NLA - Washer, Steel (7/8 x 3/8 x 1/16")	1	12
6		1026907	Washer (1/4 x 1/2 x 1/16")	1	4
7	B	1078214	Screw, Hex Head w/ Patch (1/4-20 x 1/2")	1	4
7	C	1045267	Screw, Hex Head w/ Patch (1/4-20 x 3/4")	1	4
8		1097294-NLA	NLA - Upper Link Assembly, Black	1	2
9		1030957-NLA	NLA - Screw, Shoulder Hex Socket Head (1/4 x 1-3/4", #10-24)	1	6
10		1098553-NLA	NLA - Sleeve (1/4 x 1/16 x 3/4")	1	6
11		1097295-NLA	NLA - Lower Link Assembly, Black	1	4
12		1039860	Screw, Hex Head w/ Patch (5/16-18 x 3/4")	1	2
13		1025704	Washer, Flat (5/16 x 5/8 x 1/16")	1	2
14		1069724	T-Nut (5/16-18)	1	2
15		1097202-NLA	NLA - Bracket, Vent Support, Black - Right	1	1
15		1097203-NLA	NLA - Bracket, Vent Support, Black - Left	1	1
16		1027095	Plug Button, Black (7/8")	1	2
17		1097292-NLA	NLA - Tray, Battery with Strap	1	1
18		1057955	Screw, Hex Head (1/4-20 x 1-1/4")	1	2
19		1056098	Locknut (#8-32)	1	3
20		1091871-NLA	NLA - Screw, Socket Head (#8-32 x 5/8")	1	1
21		0060000-NLA	NLA - Bumper, Rubber	1	1
22		1097207-NLA	NLA - Bracket, Bumper, Black	1	1
23		1003645	Screw, Socket Button Head (#10-32 x 3/4")	1	2
24		1097199-NLA	NLA - Hanger, Battery, Black	1	1
25		1025457	Spacer, Coved (1/4 x 3/4 x 11/32")	1	2
26		1026907	Washer (1/4 x 1/2 x 1/16")	1	2
27		1044214	Nut, Hex with Nylon Cap (1/4-20)	1	2
28	D	1097208-NLA	NLA - Battery Support Assembly - 22NF Storm Base Models	1	1
28	E	1097293-NLA	NLA - Battery Support Assembly - GP24 Storm Base Models	1	1
29		1071602-NLA	NLA - Pin, Anchor (Captain Seat)	1	2
30		1095747	Top, Battery Box	1	1
31		1057944	Battery Box Bottom with Strap, 22NF	1	1
32		1049846	Strap Assembly, Battery	1	1
33		1008495	Screw, Socket Button Head (1/4-20 x 1-1/2")	1	4
34		1098304-NLA	NLA - Vent Tray w/ Strap	1	1
35		1025457	Spacer, Coved (1/4 x 3/4 x 11/32")	1	4
36		1026907	Washer (1/4 x 1/2 x 1/16")	1	2
37		1098303-NLA	NLA - Support, Vent	1	1
38		7930333	Locknut (1/4-20)	25	1

# Vent Tray Assembly (RWD)

Vent Tray Assembly is not available when a TRBKTS Option is used

Item Number	Note	Part Number	Description	Quantity Per	
				Package	Assembly
39		1026099	Spacer, Coved (1/4 x 11/16 x 1/2")	1	2
40	F	1098959-NLA	NLA - Vent Support Assembly	1	1
41	G,H,J, K	1098968-NLA	NLA - Kit, Vent Tray, RWD	1	1
	A,L	1098336-NLA	NLA - Instruction Sheet, Vent Tray Assembly Kit	1	1
	A,G,I,K	1111729-NLA	NLA - Kit, Vent Tray w/ Extended Anti-tipper Wheel Assembly - 3G Storm Series RWD	1	1

NOTE: A - Not Shown  
 B - For Extruded Back Canes  
 C - For 7/8" Round Back Canes  
 D - Includes Items 16-27  
 E - Includes Items 16-19, 22-27  
 F - Includes Items 32-39  
 G - 22NF and GP 24 Batteries  
 H - Includes Items 1-27, 29-39, and Instruction Sheet  
 I - Kit includes item 41 and a complete pair of extended anti-tip wheel assemblies with instruction sheets. For extended anti-tip wheel assembly components, see 3rd Gen Storm Series parts book form number 00-191.  
 J - When ordering a vent tray that wasn't originally ordered on-chair for 3rd Generation Storm Series models, extended anti-tip wheel assemblies must be present. Order the vent tray and extended anti-tip wheel assembly kit part number 1111729.  
 K - Used with spring shock systems only  
 L - Item is no longer available from the Invacare Service Parts Department. Refer to the Invacare Website under "Product Literature Search". Enter the part number in the "Keywords" field and download a free PDF version copy.