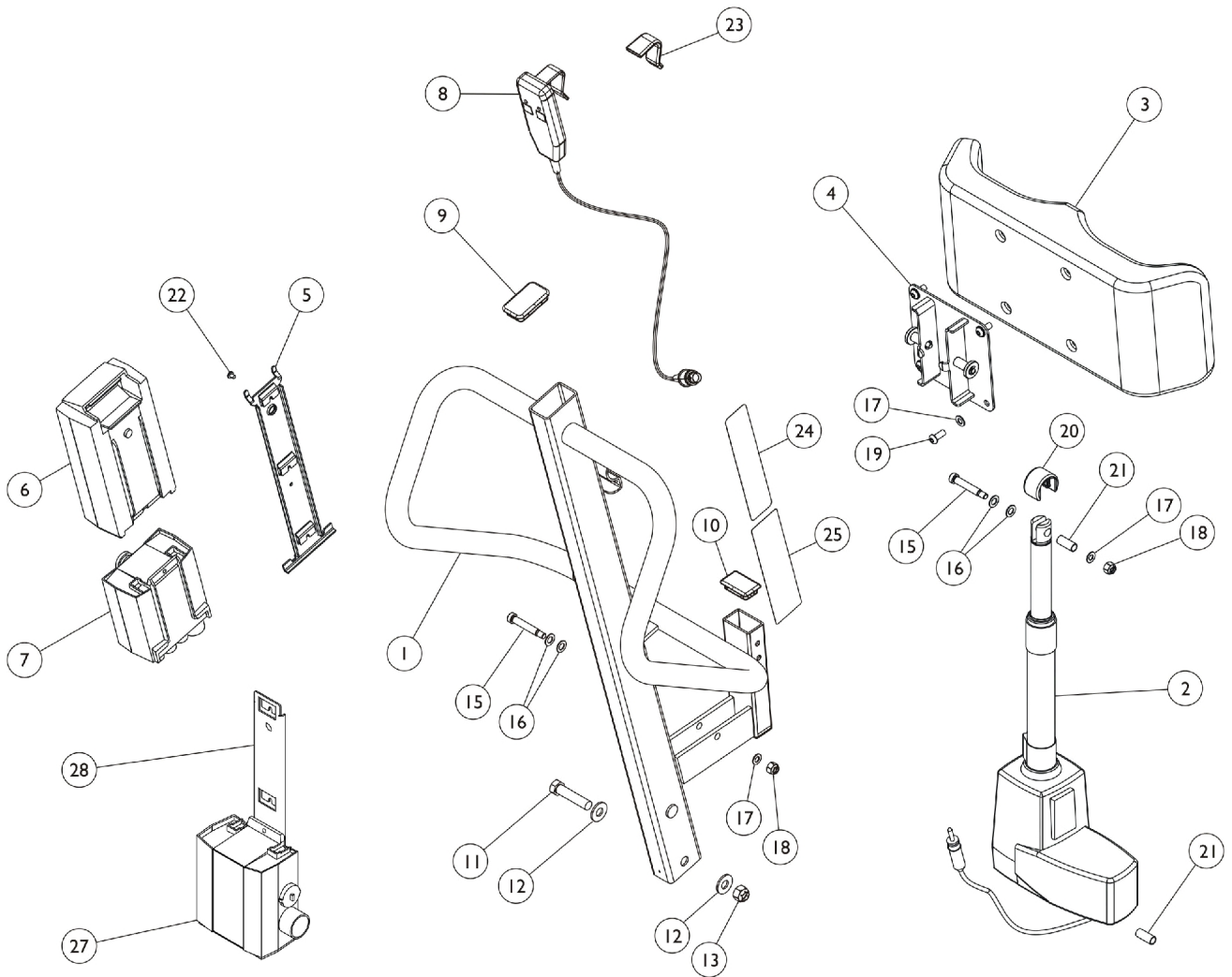


Mast Assembly (After 7/1/10)

Model RPS350-1



Mast Assembly (After 7/1/10) Model RPS350-1

Item Number	Note	Part Number	Description	Quantity Per	
				Package	Assembly
1		1156181	Handle Assembly, Lift	1	1
2	B	1156180	Actuator, Motor	1	1
3		1070803	Pad, Knee	1	1
4		1097071	Mounting, Pad	1	1
5		1078284	Bracket, Battery - Electric Only	1	1
6		1078276	Battery Pack, Linak	1	1
7		1078275	Controller - Electric Only	1	1
8		1177604	Pendant, Two Channel w/ Hook	1	1
9		1065361	Cap, End, Black (1-1/2 x 2-1/2")	1	1
10		1065360	Cap, End, Black (1-1/4 x 2")	1	1
11		1078979	Screw, Hex Head (1/2-13 x 2-1/4")	1	1
12		1068305	Washer (1/2")	1	2
13		1078981	Locknut (1/2-13)	1	1
15		1064455	Screw, Shoulder Hex Socket Head (3/8 x 1-3/4", 5/16-18)	1	2
16		1065214	Washer, Flat (3/8 x 11/16 x 1/16")	1	4
17		1025704	Washer, Flat (5/16 x 5/8 x 1/16")	1	5
18		1064267	Locknut (5/16-18)	1	2
19		1071955	Screw, Socket Button Head (5/16-18 x 3/4")	1	4
20		1155357	Cap, Actuator	1	1
21		1064443	Bushing (3/8 x 15/32 x 1-3/32")	1	2
22		1078980	Screw, Phillips Pan Head (#10-24 x 1/4")	1	3
23		1161593	Package, Rubber Clip	10	1
24		1073705-NLA	NLA - Decal, Reliant 350 Logo	1	1
25		1073699-NLA	NLA - Decal, Warning - Reliant 350	1	1
	A	1079135-NLA	NLA - Cord, European - Electric Only	1	1
	A	1079133	Cord, Power, USA	1	1
	A	1078982	Strap, Leg	1	1
27	D	1078274	Charger, Electric Only w/o Power Cord	1	1
28		1078306	Bracket, Wall Mount Charger	1	1
	A,C	1078982	Strap, Leg	1	1
	E	1079815	Kit, Charger - USA Only	1	1
6			Battery Pack, Linak	1	1
27			Charger, Electric Only w/o Power Cord	1	1
28			Bracket, Wall Mount Charger	1	1
			Cord, Power, USA	1	1

NOTE: A - Not shown in illustration.
 B - This item is for all Lifts manufactured after 7/1/2010 only. Please check for serial number of lift before ordering. Part does not work on lifts manufactured before 7/1/2010.
 C - This is an accessory only and is not sent out with new units. Used for additional leg support.
 D - Power Cord not included with Charger.
 E - Includes items 6, 27, 28 and 1079133 (not shown)