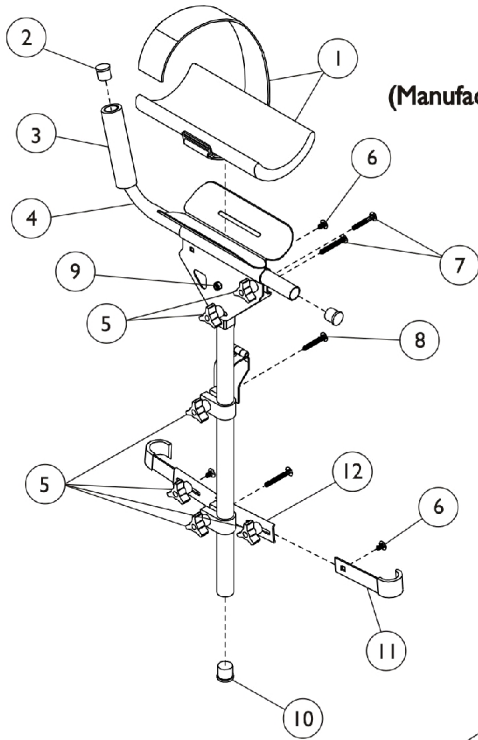
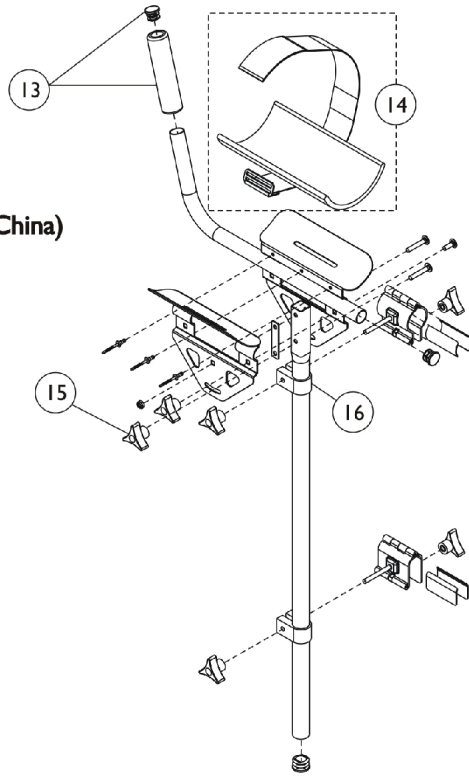


Platform Attachment

Model 6027



Model 6027
(Manufactured in USA - Discontinued)



Model 6027
(Manufactured in China)

Platform Attachment Model 6027

Item Number	Note	Part Number	Description	Quantity Per	
				Package	Assembly
1	B	1071284	Arm Padding w/ Strap, Grey	1	1
2	B	1027096	Plug Button, Grey (7/8")	1	2
3	B	1016298	Grip, Push Handle	1	1
4	B	1056286	Tube, Arm	1	1
5	B	1061131	Knob with Threaded Insert, Black (1/4-20)	1	6
6	B	10123X006	Bolt, Carriage (1/4-20 x 3/4")	1	3
7	B	7930311-NLA	NLA - Package, Carriage Bolt (1/4-20 x 1-1/2")	25	1
8	B	1069015	Bolt, Carriage (1/4-20 x 2-1/4")	1	1
9	B	7930364-NLA	NLA - Package, Locknut (1/4-20)	25	1
10	B	1057287	Plug Button, Grey (1")	1	1
11	B	1068805	Slide w/ Rubber Protector	1	2
12	B	1068800	Bracket, Support, Bottom	1	1
13	A	1145517	Kit, Handgrip with Plug	1	1
14	A	1145516-NLA	NLA - Padding, Arm with Strap	1	1
15	A	1145515	Package, Knob	3	1
16		1068808	Clamp	1	1

NOTE: A - Use Only with Platform Attachment that is "Manufactured in China," with RX in the serial number.
B - Use Only with Platform Attachment that is "Manufactured in USA."

NOTE: When determining which service parts are needed, you will have to check whether it is Manufactured in China or the USA. The Platform Attachment can be used on all Walkers.