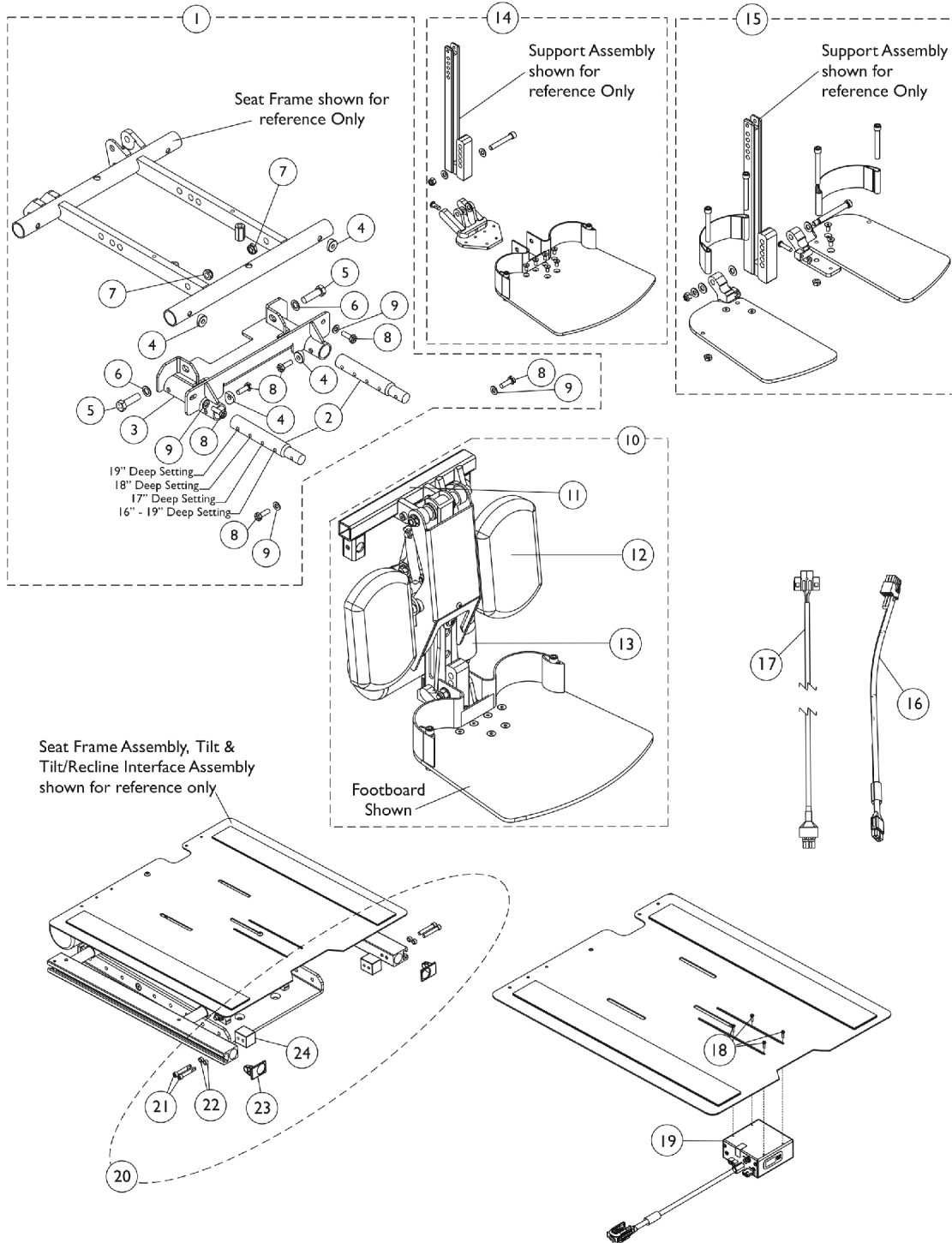


Power Elevating Legrest - Articulating (MPCTMT/MPCTMT-L)

For TDX SP/SP-GT/SR (After 12/31/08)

Replacement parts for chairs with MPCTMT built after 12/31/08.



Power Elevating Legrest - Articulating (MPCTMT/MPCTMT-L)

For TDX SP/SP-GT/SR (After 12/31/08)

Replacement parts for chairs with MPCTMT built after 12/31/08.

Item Number	Note	Part Number	Description	Quantity Per	
				Package	Assembly
1	A	1141667	Kit, Power Elevating Legrest Mounting Hardware (16-19" D)	1	1
2			Bar, Extension, Power Center Mount (16 - 19" D)	1	2
3			Bracket, Rear, Power Center Mount	1	1
4			Spacer, Coved (1/4 x 11/16 x 1/2")	1	4
5			NLA - Screw, Hex Head (3/8-16 x 1-1/4")	1	2
6			Washer, Plain (1/4 x 9/16 x 1/16")	1	2
7			Locknut, Low Profile (3/8-16)	1	2
8			Screw, Hex Head w/ Patch (1/4-20 x 3/4")	1	6
9			Washer (1/4 x 1/2 x 1/16")	1	4
1	A	1141668	Kit, Power Elevating Legrest Mounting Hardware (19-20" D)	1	1
2			Bar, Extension, Power Center Mount (19 - 20" D)	1	2
3			Bracket, Rear, Power Center Mount	1	1
4			Spacer, Coved (1/4 x 11/16 x 1/2")	1	4
5			NLA - Screw, Hex Head (3/8-16 x 1-1/4")	1	2
6			Washer, Plain (1/4 x 9/16 x 1/16")	1	2
7			Locknut, Low Profile (3/8-16)	1	2
8			Screw, Hex Head w/ Patch (1/4-20 x 3/4")	1	6
9			Washer (1/4 x 1/2 x 1/16")	1	4
1	A	1141669	Kit, Power Elevating Legrest Mounting Hardware (21-22" D)	1	1
2			Bar, Extension, Power Center Mount (21-22" D)	1	2
3			Bracket, Rear, Power Center Mount	1	1
4			Spacer, Coved (1/4 x 11/16 x 1/2")	1	4
5			NLA - Screw, Hex Head (3/8-16 x 1-1/4")	1	2
6			Washer, Plain (1/4 x 9/16 x 1/16")	1	2
7			Locknut, Low Profile (3/8-16)	1	2
8			Screw, Hex Head w/ Patch (1/4-20 x 3/4")	1	6
9			Washer (1/4 x 1/2 x 1/16")	1	4
10	B	1162010	Power Center Mount Assembly w/ Footboard	1	1
10	B	1162011	Power Center Mount Assembly w/ Footboard - Long	1	1
10	B	1162012	Power Center Mount Assembly w/ Footplate (Pair)	1	1
10	B	1162013	Power Center Mount Assembly w/ Footplate - Long (Pair)	1	1
10	C	1162018	Power Center Mount Assembly w/ Footboard	1	1
10	C	1162019-NLA	NLA - Power Center Mount Assembly w/ Footboard - Long	1	1
10	C	1162020	Power Center Mount Assembly w/ Footplate (Pair)	1	1
10	C	1162021	Power Center Mount Assembly w/ Footplate - Long (Pair)	1	1
11	J	1141665	Bracket, MPCTMT Power Center Mount, Black	1	1
	F	1162805	Kit, Power Center Mount Hardware	1	1
4			Spacer, Coved (1/4 x 11/16 x 1/2")	1	4

Power Elevating Legrest - Articulating (MPCTMT/MPCTMT-L)

For TDX SP/SP-GT/SR (After 12/31/08)

Replacement parts for chairs with MPCTMT built after 12/31/08.

Item Number	Note	Part Number	Description	Quantity Per	
				Package	Assembly
5			NLA - Screw, Hex Head (3/8-16 x 1-1/4")	1	2
6			Washer, Plain (1/4 x 9/16 x 1/16")	1	2
7			Locknut, Low Profile (3/8-16)	1	2
8			Screw, Hex Head w/ Patch (1/4-20 x 3/4")	1	6
9			Washer (1/4 x 1/2 x 1/16")	1	4
12	G	1163373	Kit, Calf Pad (Pair)	1	1
			Pad, Calf (4-1/2" W x 7-1/4" L)	1	2
			Screw, Socket Button Head w/ Patch (1/4-20 x 3/4")	1	4
13	K	1162452	Motor, MPCTMT Smart Actuator	1	1
13	L	1168449	Kit, MPCTMT Conventional Actuator Motor and Mounting Hardware	1	1
	M	1168410	Kit, MPCTMT Actuator Motor Mounting Hardware	1	1
14	D	1164849	Footboard w/ Hardware Assembly, MPCTMT/MPCTMT-L	1	1
15	E	1164309	Footplate w/ Hardware Assembly, MPCTMT/MPCTMT-L	1	1
16	H	1148708	Harness, Power Elevating Legrest-Articulating (MPCTMT/MPCTMT-L)	1	1
17	H	1101401	Harness, ELRPW Power Legrest - Left	1	1
18		1021742	Screw, Phillips Pan Head (#4-40 x 1/2")	1	4
19	I	1151959	Center Mount Leg Integrated Actuator Module (CMLIAM) for MPCTMT Legrest w/ Smart Actuator (54" L)	1	1
20		1147045	Kit, Power Elevating Legrest-Articulating Mtg. Hdwr. (MPCTMT/MPCTMT-L)	1	1
21			Screw, Socket Head Cap w/ Patch (1/4-20 x 1-1/2")	1	4
22			NLA - Spacer (1/4 x 3/8 x 3/16")	1	4
23			Cap, End, Side Rail, Black	1	2
24			Block, Threaded	1	2

NOTE: A - Includes items 2-9.
 B - For use with MPCTMT Conventional Actuator Motor.
 C - For use with MPCTMT Smart Actuator Motor.
 D - Includes Footboard and attaching hardware.
 E - Includes Footplates and attaching hardware.
 F - Not shown. Includes items 4-9.
 G - Includes Calf Pads and hardware.
 H - Items 16 and 17 are used for a MPCTMT Conventional Actuator Motor only. Item #17 is used for both ELRPW and MPCTMT Power Legrest applications.
 I - Item 18 is not used when MPCTMT Power Elevating-Articulating Legrest are ordered with a MPCTMT Conventional Actuator Motor
 J - Use existing mounting hardware to attach the mounting bracket.
 K - The MPCTMT Smart Actuator Motor does not include the MPCTMT Actuator Motor Mounting Hardware part #1168410.
 L - The MPCTMT Conventional Actuator Motor includes the MPCTMT Actuator Motor Mounting Hardware part #1168410.
 M - Not Shown. MPCTMT Actuator Motor Mounting Hardware can be used for Conventional and Smart MPCTMT Actuator Motors. Individual components are non-saleable.