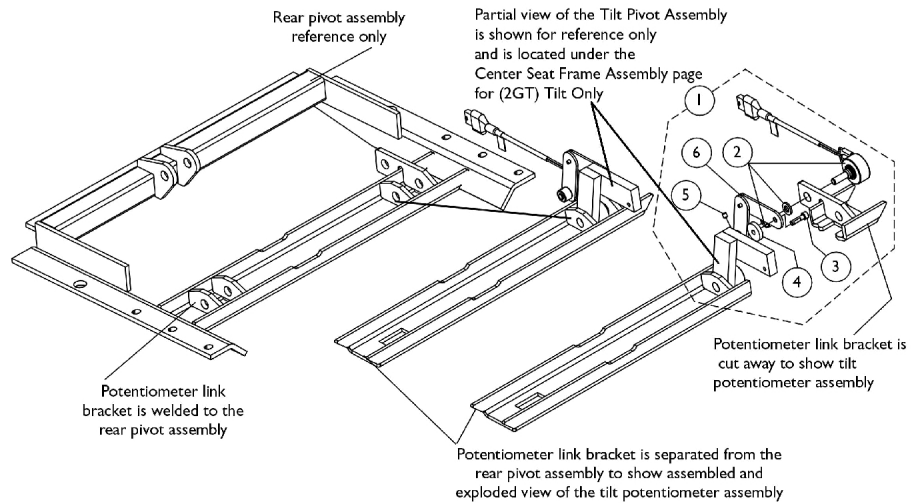
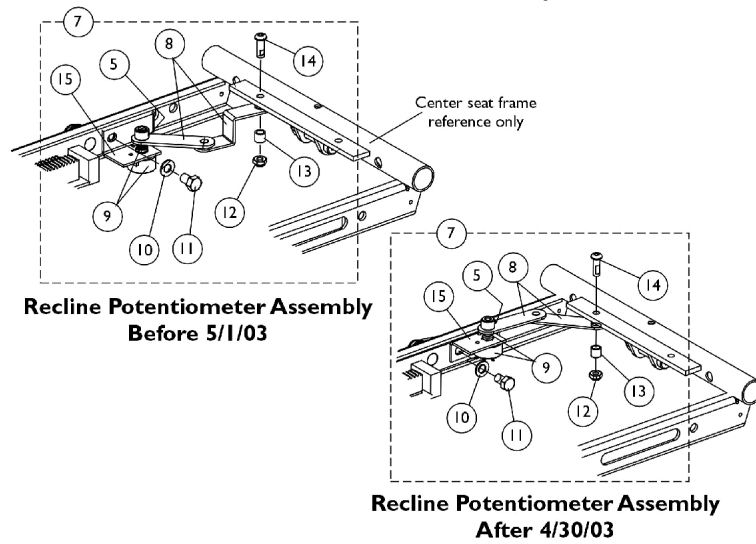


Tilt/ Recline Potentiometers & Hardware



Tilt Potentiometer Assembly



Tilt/ Recline Potentiometers & Hardware

Item Number	Note	Part Number	Description	Quantity Per	
				Package	Assembly
1	A	1087038-NLA	NLA - Tilt Potentiometer Assembly	1	1
2		1079992-NLA	NLA - Potentiometer, Tilt w/ Harness, Nut and Washer	1	1
3		1091871-NLA	NLA - Screw, Socket Head (#8-32 x 5/8")	1	1
4		1029454-NLA	NLA - Washer, Nylon (3/16 x 3/4 x 5/32")	1	1
5		7930306-NLA	NLA - Package, Screw, Set Socket Cup Point (#8-32 x 3/16")	25	1
6		1087037-NLA	NLA - Linkage, Tilt Potentiometer	1	1
7	B,C	1121007-NLA	NLA - Recline Potentiometer Assembly	1	1
7	B,D	1094264-NLA	NLA - Recline Potentiometer Assembly	1	1
8	C	1121006-NLA	NLA - Linkage, Recline Potentiometer	1	1
8	D	1094263-NLA	NLA - Linkage, Recline Potentiometer	1	1
9		1079991-NLA	NLA - Recline Potentiometer w/ Harness, Nut and Washer	1	1
10		1025704	Washer, Flat (5/16 x 5/8 x 1/16")	1	2
11		1061922-NLA	NLA - Screw, Hex Head w/ Patch (5/16-18 x 1/2")	1	1
12		7930323-NLA	NLA - Package, Locknut (1/4-20)	25	1
13		1031884-NLA	NLA - Bushing, Black or Color Chairs (9/32 x 3/8 x 11/32")	1	1
14		1091870	Screw, Socket Button Head w/ Patch (1/4-20 x 3/4")	1	1
15	C	1094262-NLA	NLA - Bracket, Fixed Recline Potentiometer, Black	1	1
15	D	1115825-NLA	NLA - Bracket, Fixed Recline Potentiometer, Black	1	1

NOTE: A - Includes Items 2-6
 B - Includes Items 5 and 8-15
 C - Before 5/1/03
 D - After 4/30/03

T.R.C.M. 2G controllers with software version 2.0 or 2.1 must still use a recline potentiometer assembly for Tilt Only Systems.