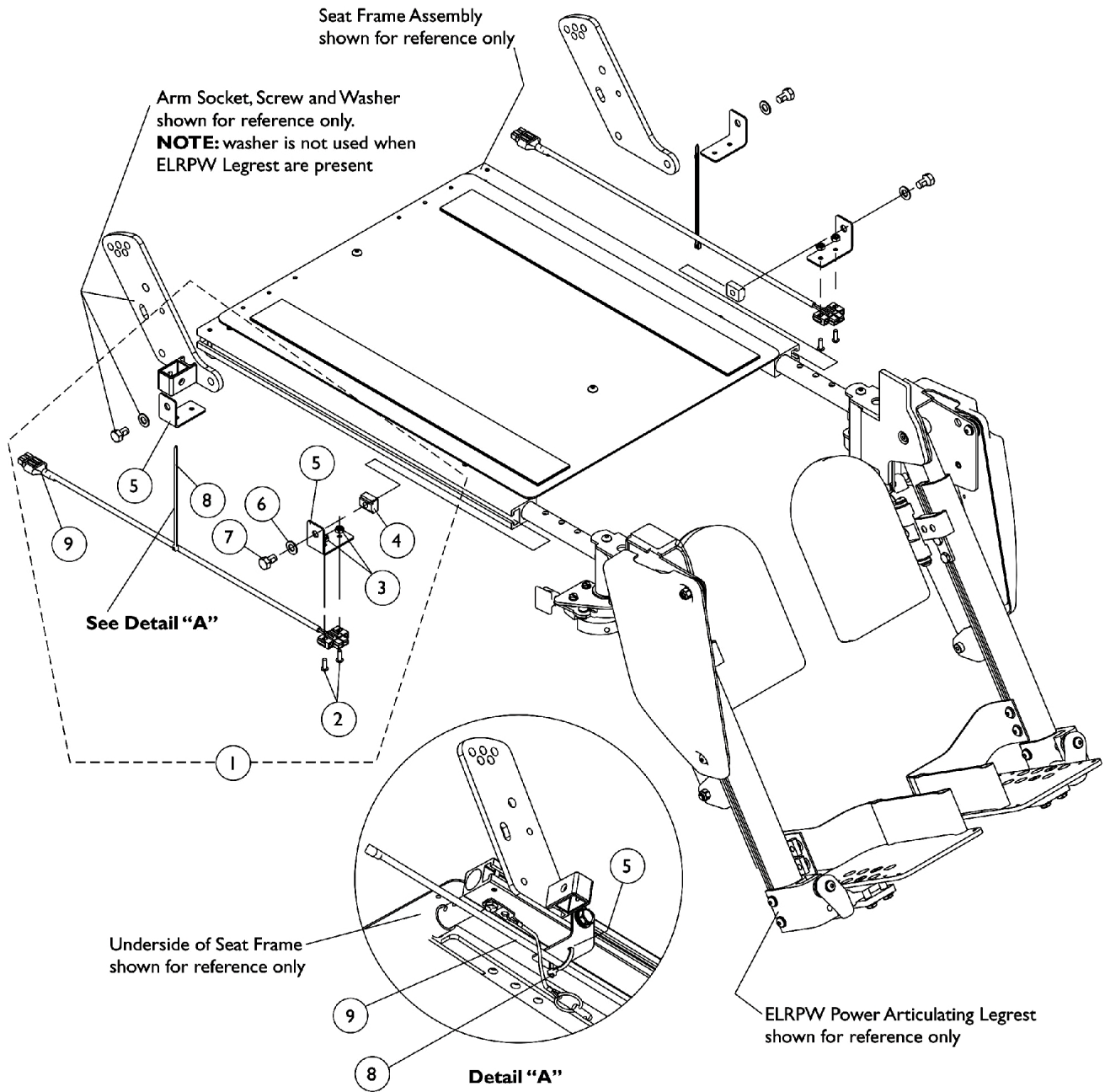


Power Articulating Legrest ELRPW/ELRPW22 Harnesses and Hardware For ADJASBA Seat



Power Articulating Legrest ELRPW/ELRPW22 Harnesses and Hardware For ADJASBA Seat

Item Number	Note	Part Number	Description	Quantity Per	
				Package	Assembly
1	A,B	1125679-NLA	NLA - Kit, ELRPW Power Articulating Legrest Harnesses and Mounting Hardware (Pair)	2	1
2			NLA - Screw, Socket Head (#8-32 x 5/8")	1	4
3			Locknut (#8-32)	1	4
4			T-Nut (5/16-18)	1	2
5			NLA - Bracket, Wire Harness, Black	1	4
6			Washer, Flat (5/16 x 5/8 x 1/16")	1	2
7			NLA - Screw, Hex Head w/ Patch (5/16-18 x 1/2")	1	2
8			Tie Wrap (5-5/8" L)	1	2
9			NLA - Harness, ELRPW Power Legrest - Right	1	1
9			NLA - Harness, ELRPW Power Legrest - Left	1	1

NOTE: A - Includes items 2-9
 B - On 2/28/07 the Dual Leg Actuator Module (DLIAM) harness cable that plugs into item #9 ELRPW Power Legrest Harness Assembly was lengthened from approximately 3" to 20" long to eliminate the need for the ELRPW Power Legrest Harness Assemblies